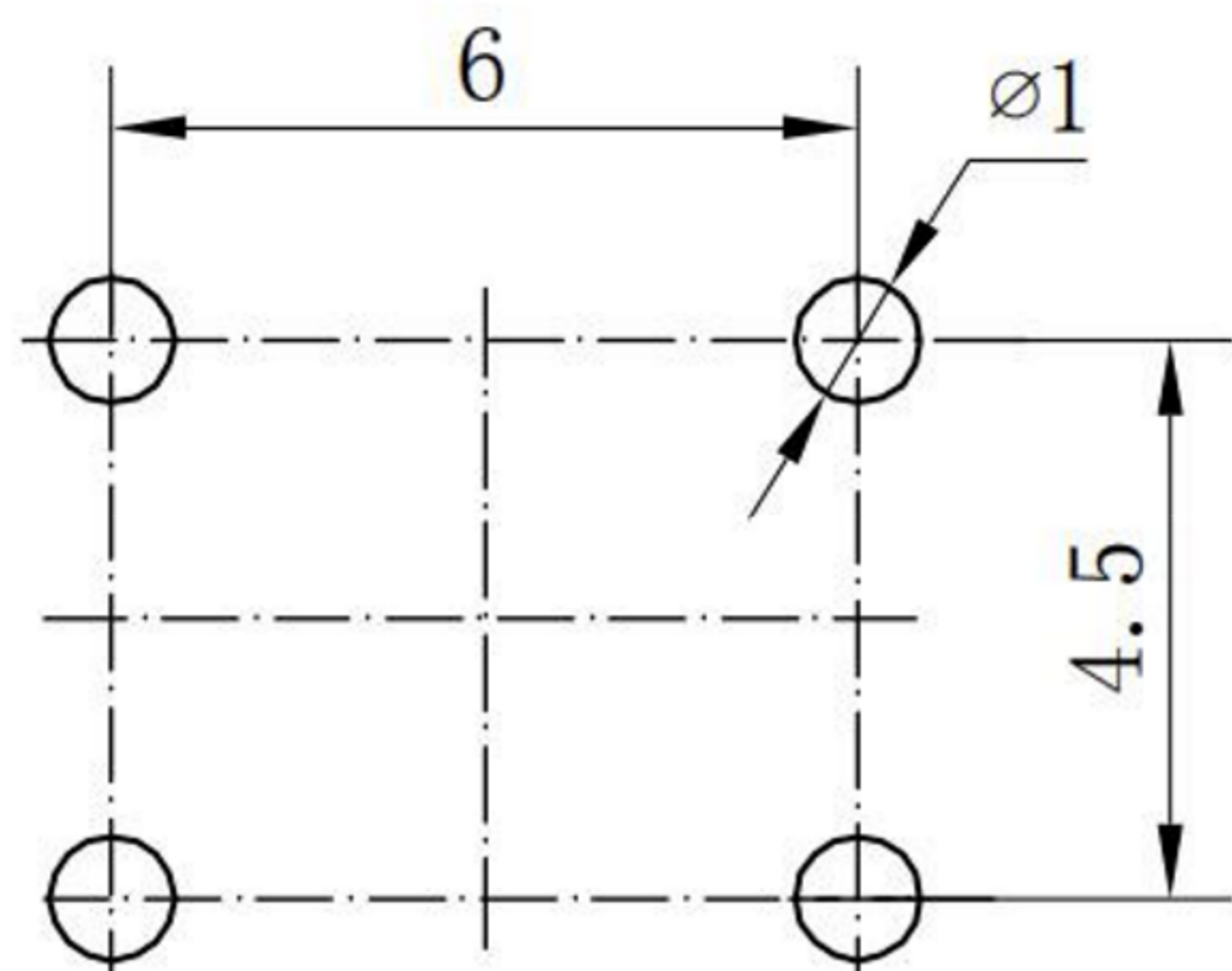
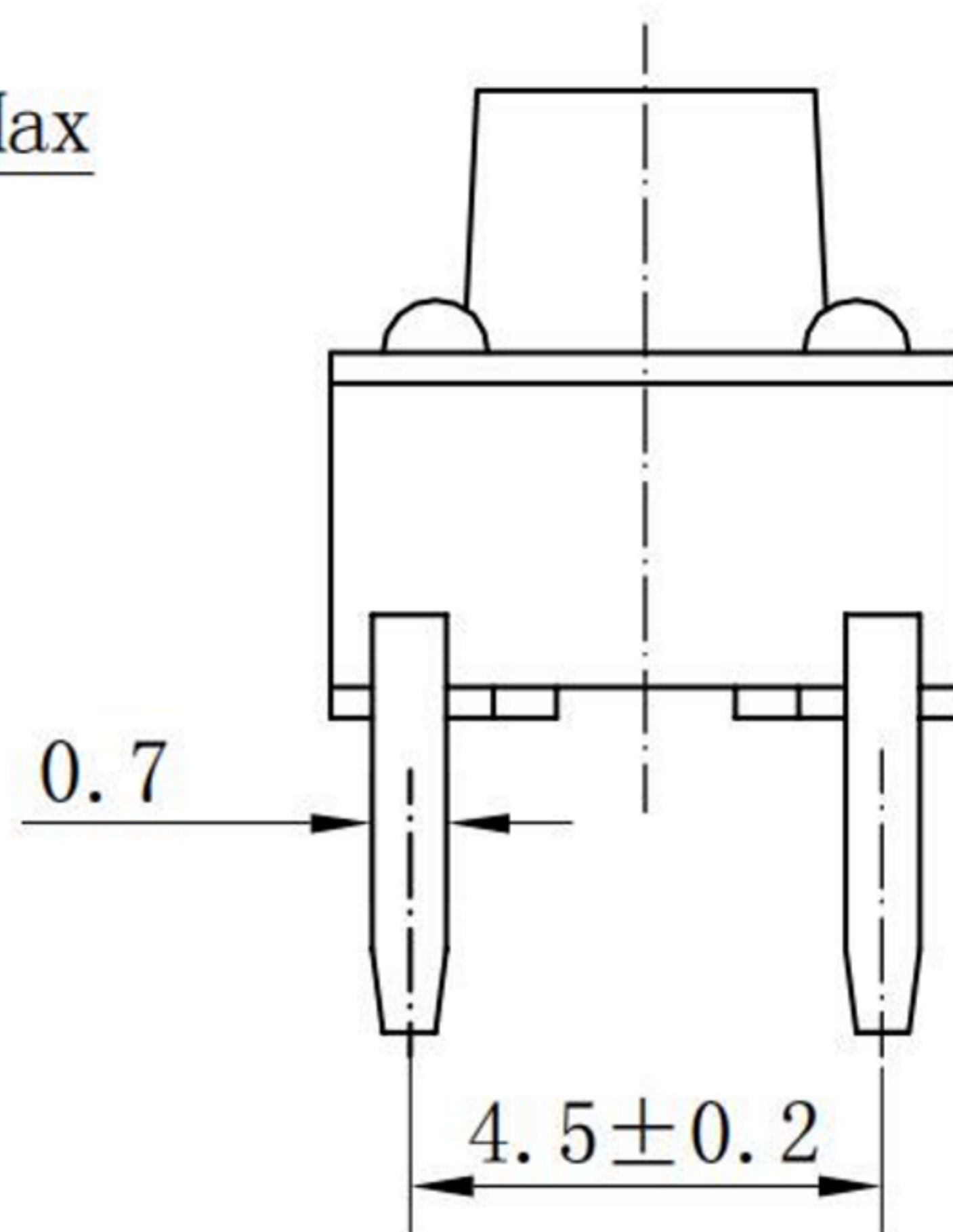
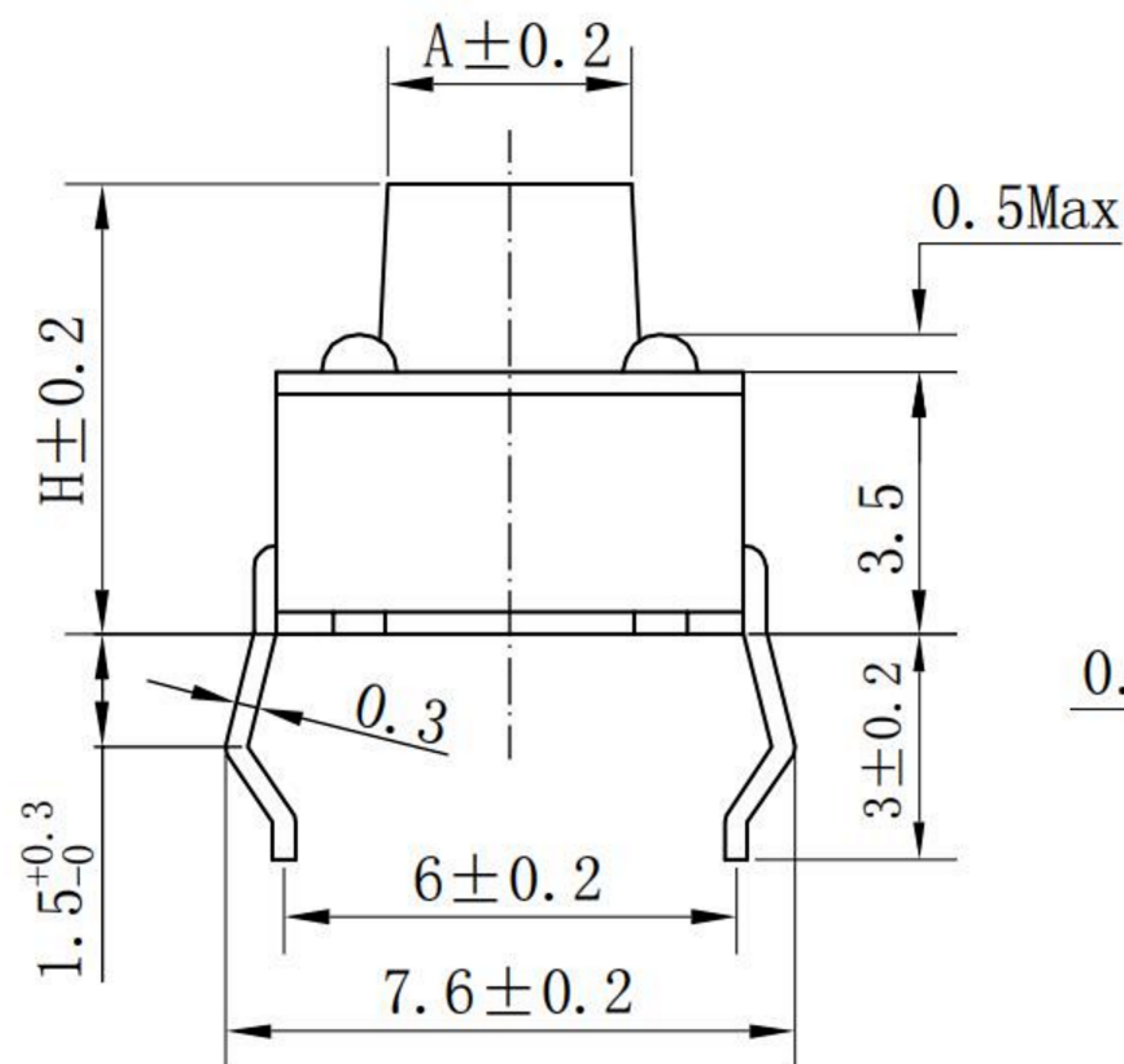


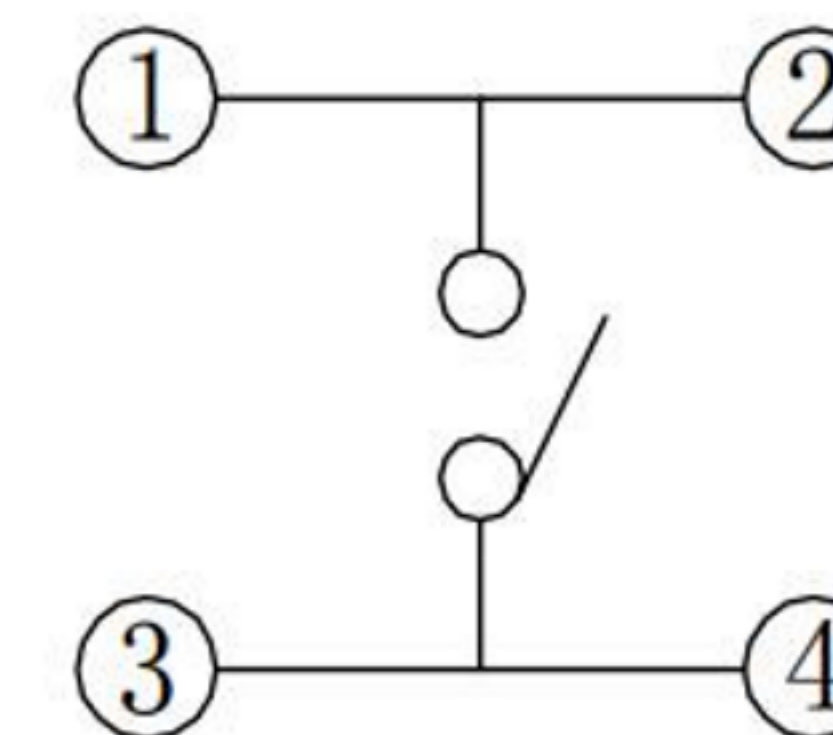
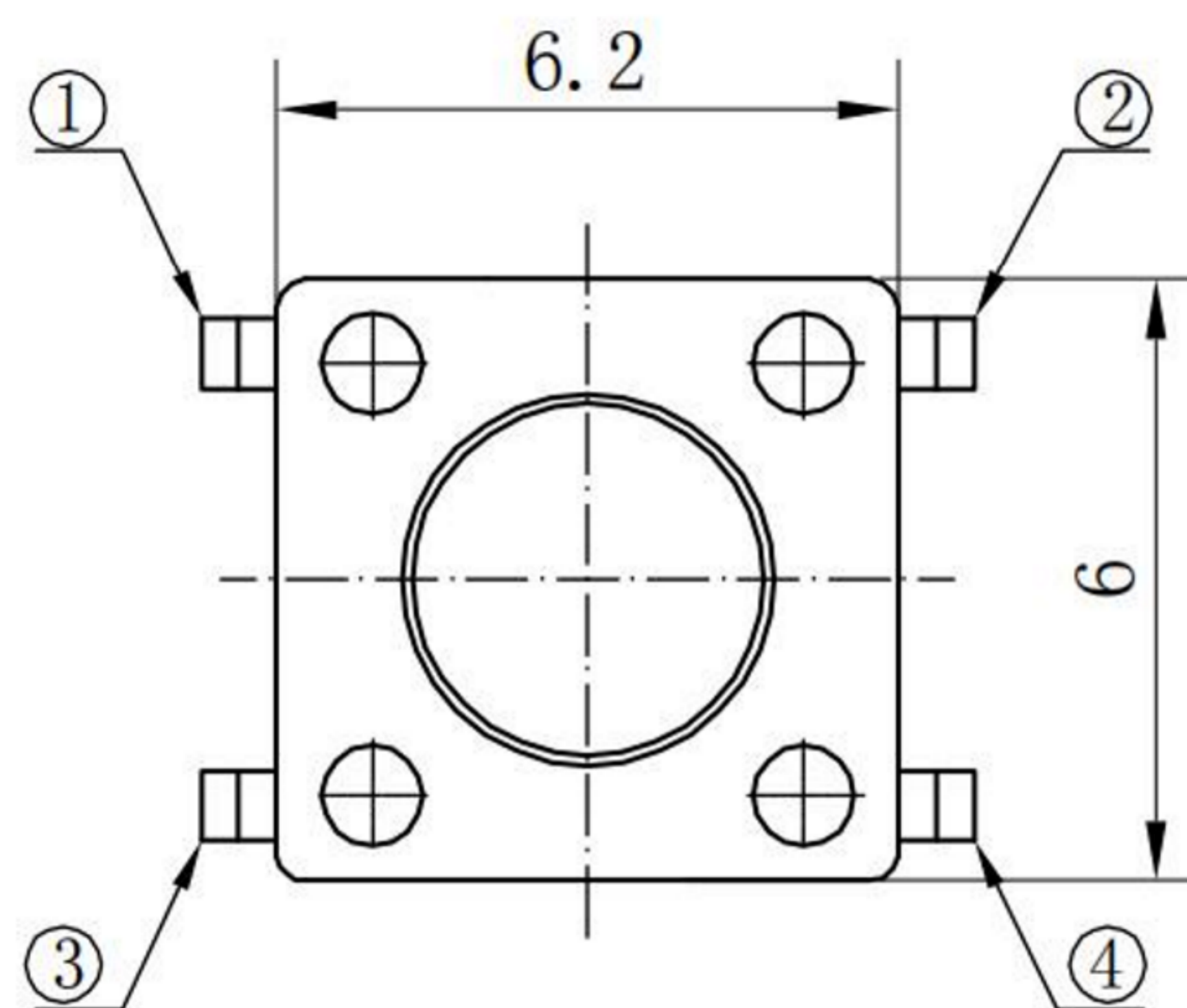
CAD FILE:

STEM
(height)

| select | H(value) | A |
|--------|----------|------|
| | 4.5 | ∅3.5 |
| | 5.0 | ∅3.5 |
| | 6.0 | ∅3.3 |
| | 6.5 | ∅3.3 |
| | 7.0 | ∅3.3 |
| | 7.5 | ∅3.3 |
| | 8.0 | ∅3.3 |
| | 8.5 | ∅3.2 |
| | 9.0 | ∅3.2 |
| | 9.5 | ∅3.1 |
| | 10 | ∅3.1 |
| | 10.5 | ∅3.0 |
| | 11 | ∅3.0 |
| | 11.5 | ∅3.0 |
| | 12 | ∅3.0 |
| | 12.5 | ∅3.0 |
| | 13 | ∅3.0 |
| | 15 | ∅3.0 |
| | 16 | ∅3.0 |
| | 17 | ∅3.0 |
| | 18 | ∅3.0 |
| | 19 | ∅3.0 |
| | 20 | ∅3.0 |
| | 21 | ∅3.0 |
| | 22 | ∅3.0 |
| | 23 | ∅3.0 |
| | 24 | ∅3.0 |
| | 25 | ∅3.0 |
| | 26 | ∅3.0 |
| | 27 | ∅3.0 |
| | 28 | ∅3.0 |
| | 29 | ∅3.0 |

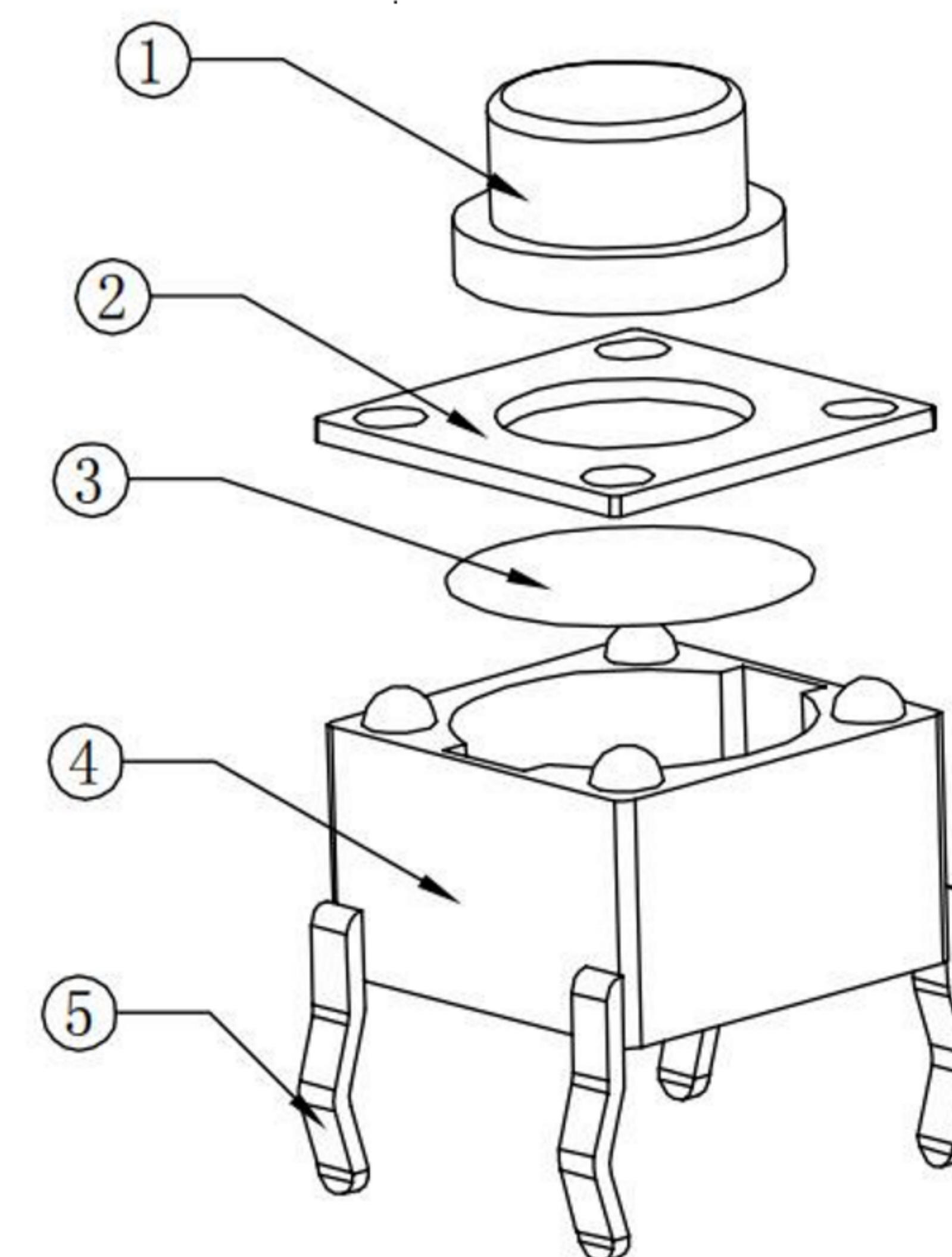


PCB板开孔尺寸(±0.1)



电路图

SCHEMATIC



注：“*”表示关键尺寸(4个).

| NO. | PARTS | MATERIALS | Q'TY | FINISH | TOLERANCE UNLESS SPECIFIED | | 2012-9-25 | | 初版 | | |
|-----|---------|-----------------|------|-----------------|--|-------|-----------|--------------------------|------------------------|------------|-----------|
| 8 | | | | | WITHIN 1.5mm : ±0.1mm | A | 2012-9-25 | 初版 | | ZENQ. CHEN | |
| 7 | | | | | OVER 1.5mm : ±0.2mm | ISSUE | DATE | DESCRIPTIONS OF REVISION | | APPD. | |
| 6 | | | | | TITLE : TACT SWITCH | | | UNIT : mm | DRWG NO.: XB-TC-1102-X | | |
| 5 | | | | | MODEL: | | | SCALE: 5:1 | DWN. | JUN. YANG | 2012-9-25 |
| 4 | CONTACT | SUS | 1 | Ag CLAD | 东莞市溪榜电子有限公司 DONG GUAN XI BANG ELECTRONICS CO., LTD. | | | CHK'D | DONG. PANG | 2012-9-25 | |
| 3 | CASE | PPA/BRASS SRTIP | 1 | BLACK/Ag PLATED | | | | APPD. | ZENQ. CHEN | 2012-9-25 | |
| 2 | COVER | STEEL STRIP | 1 | Ni PLATED | | | | | | | |
| 1 | KNOB | PPA | 1 | BLACK | | | | | | | |