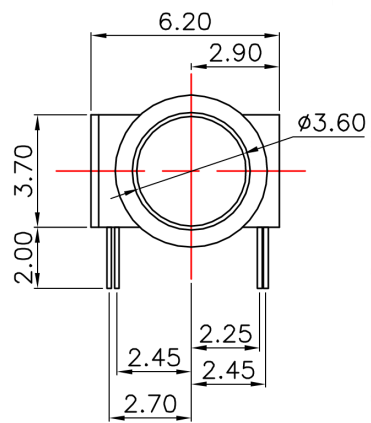
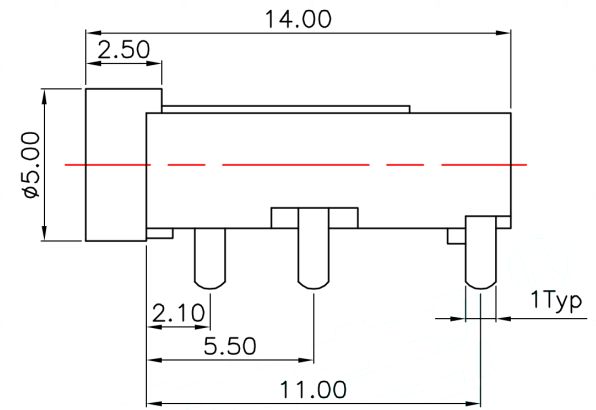
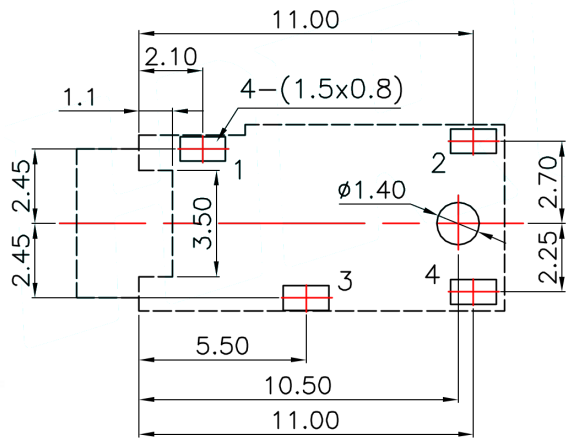


CAD FILE:



P.C.B LAYOUT(copper-sided view)



Rating:0.5A 30V DC
 Contact Resistance:100 mΩ Max.
 Operating temperature:-20℃~70℃
 Operating force:3-20N
 Operating Life:5,000cycles

Model No.	PJ-3810-A	PJ-3810-B
Schematic		

8									
7									
6									
5									
4	CONTACT	SUS	1	Ag CLAD					
3	CASE	PPA/BRASS SRTIP	1	BLACK/Ag PLATED					
2	COVER	STEEL STRIP	1	Ni PLATED					
1	KNOB	PPA	1	BLACK					
NO.	PARTS	MATERIALS	Q'TY	FINISH					
					TOLERANCE UNLESS SPECIFIED				
					WITHIN 1.5mm : ±0.1mm		A	2012-9-25	初版
					OVER 1.5mm : ±0.2mm		ISSUE	DATE	DESCRIPTIONS OF REVISION
					TITLE : Audio Jack			UNIT : mm	DRWG NO.: XB-PJ-3585-SMT
					MODEL:			SCALE: 5:1	DWN. JUN. YANG 2012-9-25
					东莞市溪榜电子有限公司			CHK'D DONG. PANG 2012-9-25	
					DONG GUAN XI BANG ELECTRONICS CO., LTD.			APPD. ZENQ. CHEN 2012-9-25	