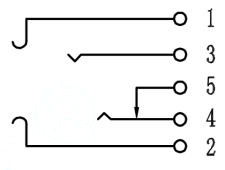
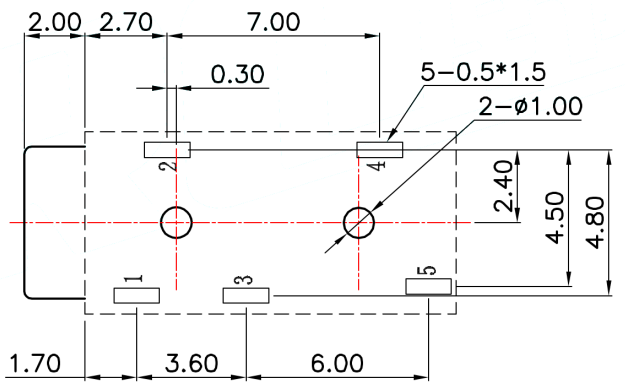
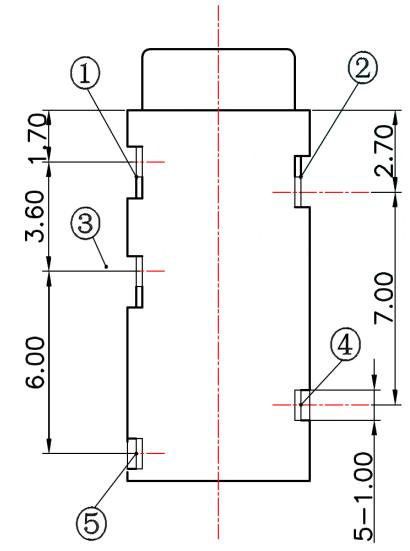
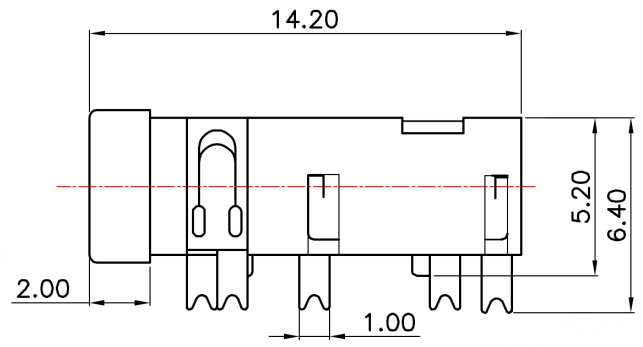
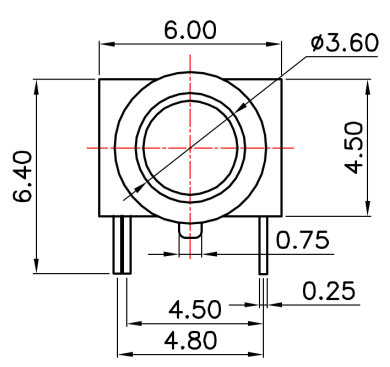


CAD FILE:



Schematic

P.C.B LAYOUT(copper-sided view)

Rating:0.5A 30V DC  
 Contact Resistance:100 mΩ Max.  
 Operating temperature:-20℃~70℃  
 Operating force:3-20N  
 Operating Life:5,000cycles

8									
7									
6					TOLERANCE UNLESS SPECIFIED				
5					WITHIN 1.5mm : ±0.1mm	A	2012-9-25	初版	ZENQ. CHEN
4	CONTACT	SUS	1	Ag CLAD	OVER 1.5mm : ±0.2mm	ISSUE	DATE	DESCRIPTIONS OF REVISION	APPD.
3	CASE	PPA/BRASS SRTIP	1	BLACK/Ag PLATED	TITLE : <b>Audio Jack</b>		UNIT : mm	DRWG NO.: <b>XB-PJ-327D</b>	
2	COVER	STEEL STRIP	1	Ni PLATED	MODEL:		SCALE: 5:1	DWN.	JUN. YANG
1	KNOB	PPA	1	BLACK	DONG GUAN XI BANG ELECTRONI CS CO., LTD.		SCALE: 5:1	CHK'D	DONG. PANG
NO.	PARTS	MATERIALS	Q'TY	FINISH	DONG GUAN XI BANG ELECTRONI CS CO., LTD.		SCALE: 5:1	APPD.	ZENQ. CHEN
					DONG GUAN XI BANG ELECTRONI CS CO., LTD.		SCALE: 5:1		2012-9-25
					DONG GUAN XI BANG ELECTRONI CS CO., LTD.		SCALE: 5:1		2012-9-25