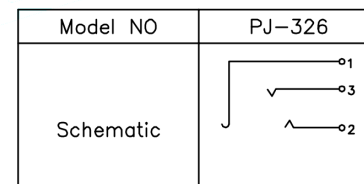
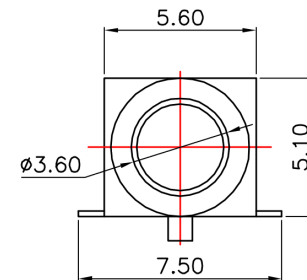
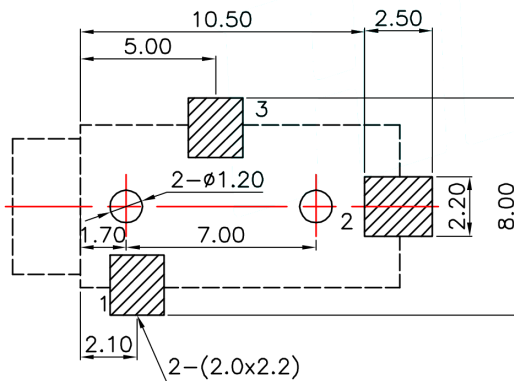
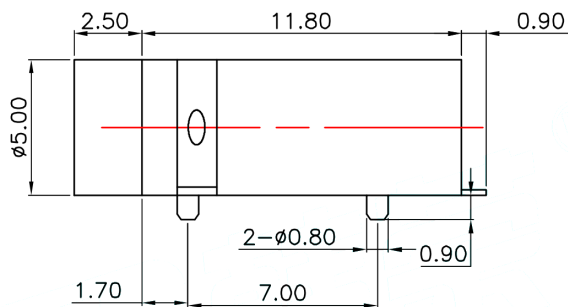


CAD FILE:

P.C.B Layout (copper-sided view)



Rating:0.5A 30V DC  
Contact Resistance:100 mΩ Max.  
Operating temperature:-20℃~70℃  
Operating force:3-20N  
Operating Life:5,000cycles

NO.	PARTS	MATERIALS	Q'TY	FINISH	TOLERANCE UNLESS SPECIFIED	ISSUE	DATE	DESCRIPTIONS OF REVISION	APPD.	
8										
7										
6					WITHIN 1.5mm : ±0.1mm	A	2023-6-21	初版	ZENQ. CHEN	
5					OVER 1.5mm : ±0.2mm	ISSUE	DATE	DESCRIPTIONS OF REVISION	APPD.	
4	CONTACT	SUS	1	Ag CLAD	TITLE : Audio iack			UNIT : mm	DRWG NO.: XB-PJ-326	
3	CASE	PPA/BRASS SRTIP	1	BLACK/Ag PLATED	MODEL:			SCALE: 5:1	DWN. JUN. YANG	2023-6-21
2	COVER	STEEL STRIP	1	Ni PLATED	DONG GUAN XI BANG ELECTRONI CS CO., LTD.			CHK'D	DONG. PANG	2023-6-21
1	KNOB	PPA	1	BLACK	Switch Connector			APPD.	ZENQ. CHEN	2023-6-21