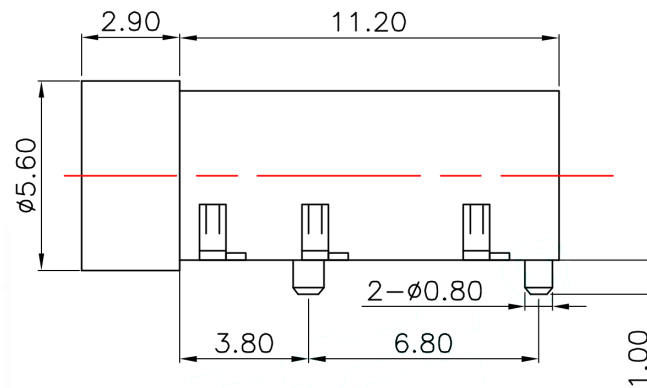
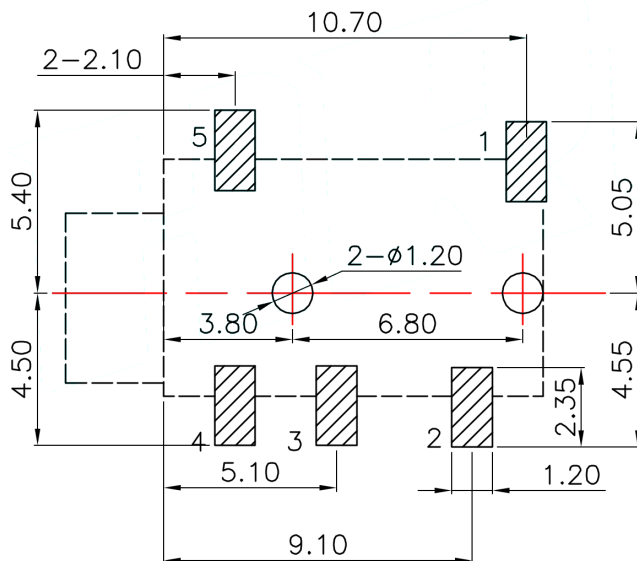
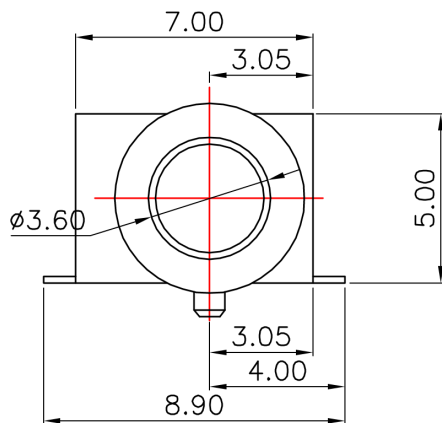


CAD FILE:

P.C.B Layout TOP view



Model NO	PJ-320EA-A	PJ-320EA-B
Schematic		

Rating:0.5A 30V DC
 Contact Resistance:100 mΩ Max.
 Operating temperature:-20℃~70℃
 Operating force:3-20N
 Operating Life:5,000cycles

NO.	PARTS	MATERIALS	Q'TY	FINISH	TOLERANCE UNLESS SPECIFIED	ISSUE	DATE	DESCRIPTIONS OF REVISION	APPD.	
8					WITHIN 1.5mm : ±0.1mm	A	2012-9-25	初版	ZENQ. CHEN	
7					OVER 1.5mm : ±0.2mm	ISSUE	DATE		APPD.	
6					TITLE : Audio Jack					
5					MODEL:		SCALE: 5:1	DRWG NO.: XB-PJ-320EA		
4	CONTACT	SUS	1	Ag CLAD				DWN.	JUN. YANG	2012-9-25
3	CASE	PPA/BRASS SRTIP	1	BLACK/Ag PLATED				CHK'D	DONG. PANG	2012-9-25
2	COVER	STEEL STRIP	1	Ni PLATED				APPD.	ZENQ. CHEN	2012-9-25
1	KNOB	PPA	1	BLACK						
					东莞市溪榜电子有限公司 DONG GUAN XI BANG ELECTRONI CS CO., LTD.					