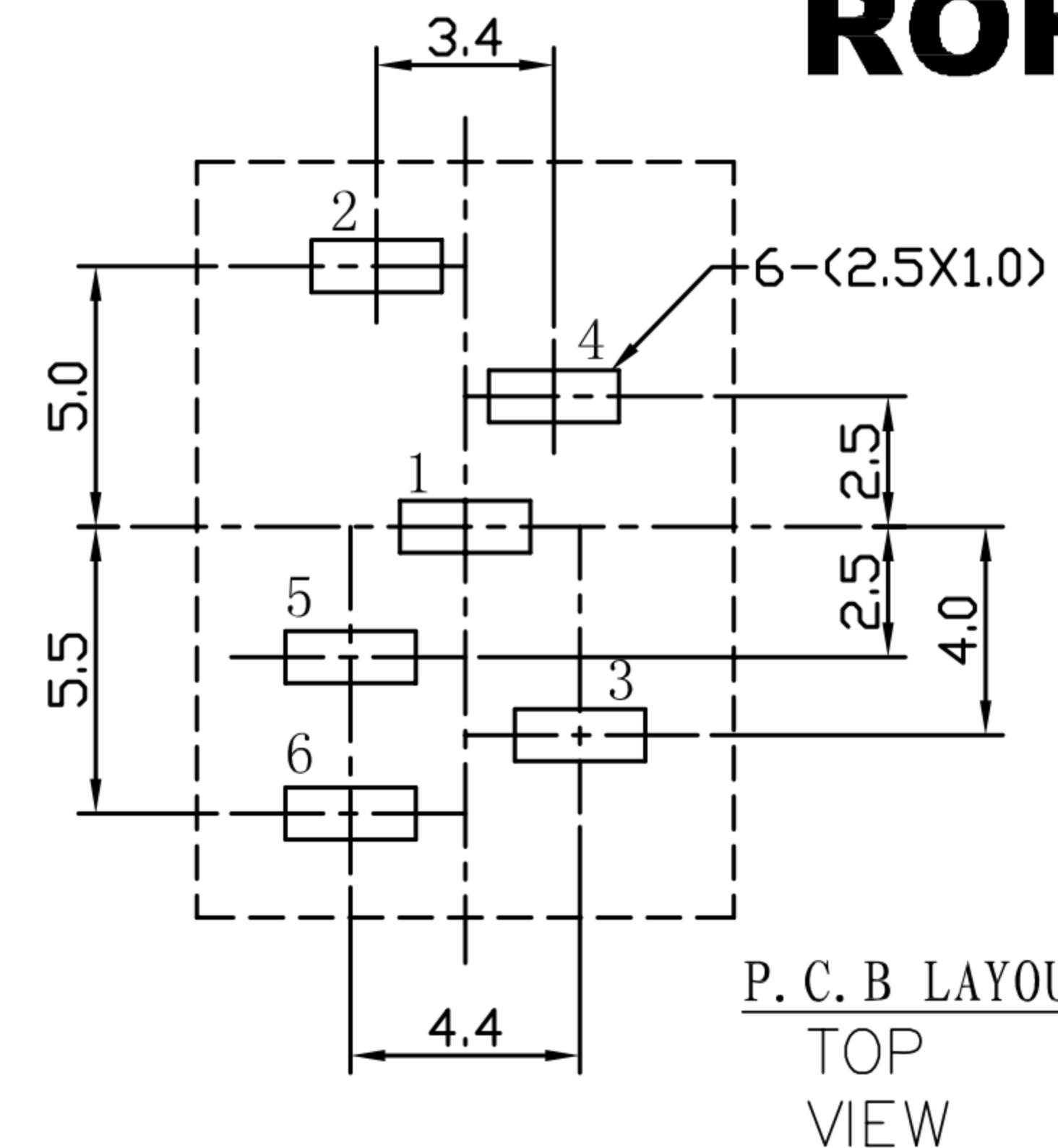
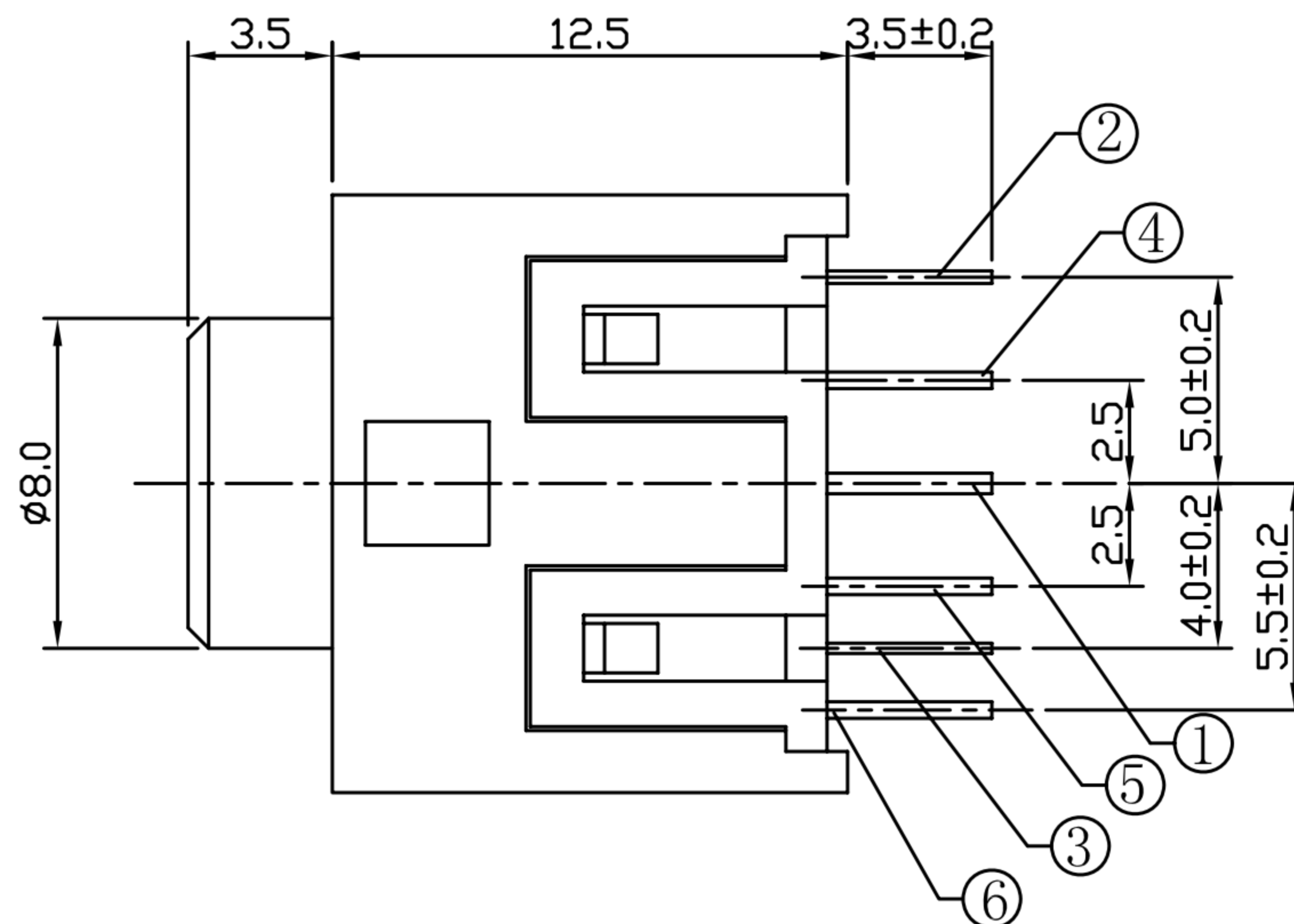
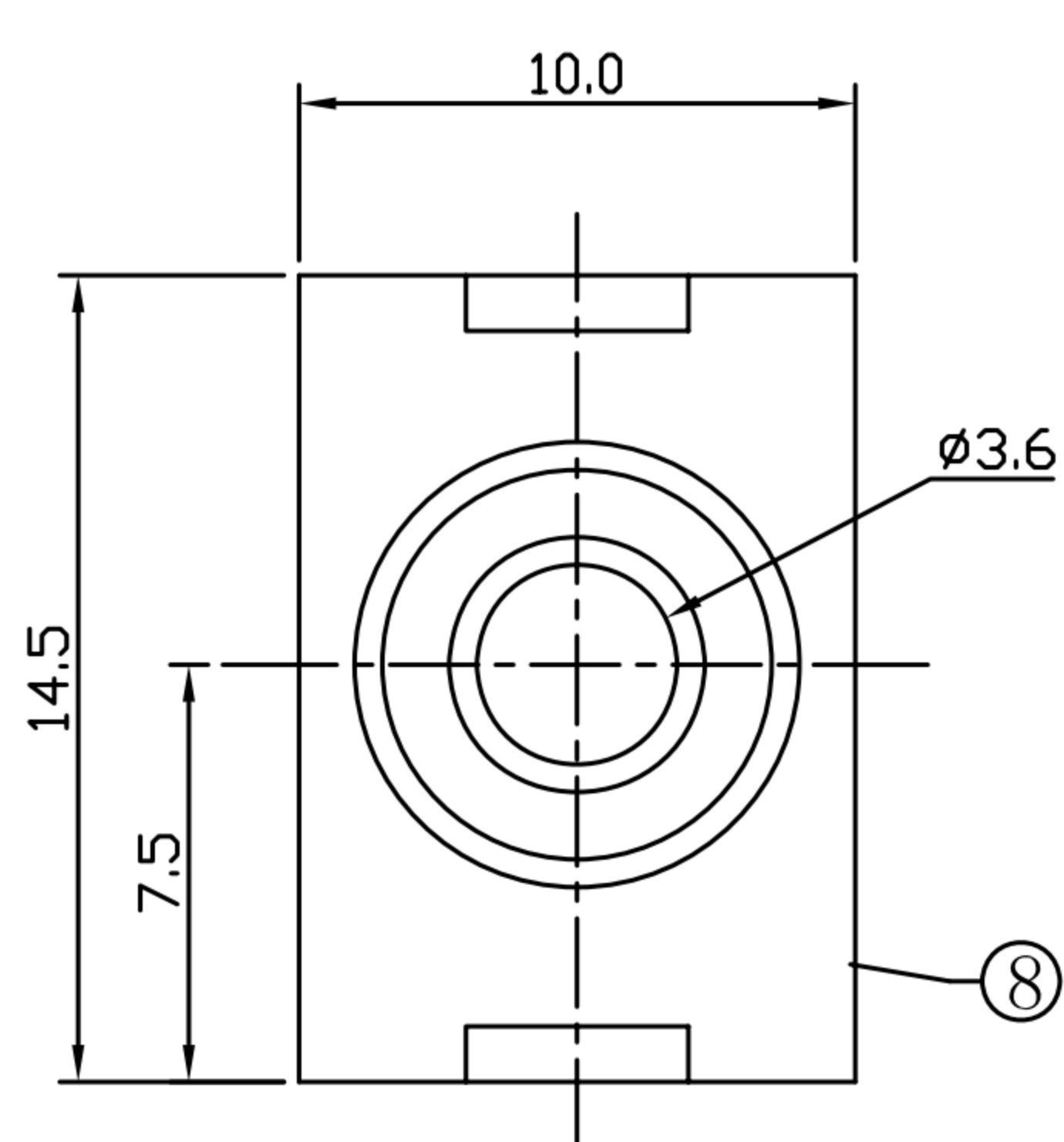
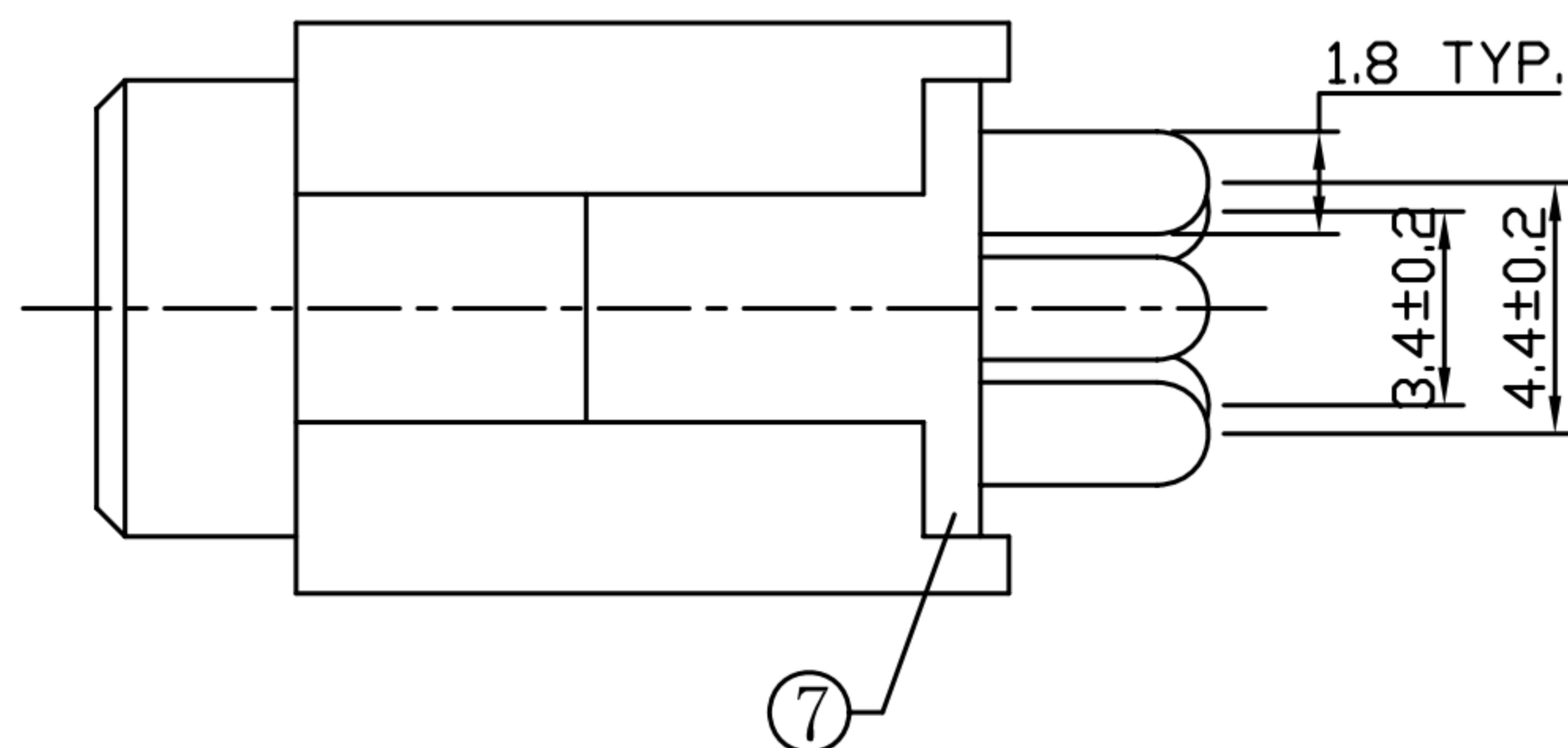


CAD FILE:

ROHS



P. C. B LAYOUT
TOP
VIEW



SPECIFICATION

1. Rating : DC 30V 0.5A;
2. Contact resistance: $\leq 50\text{m}\Omega$;
3. Insulation resistance: $\geq 100\text{M}\Omega$ (DC250V);
4. Withstand voltage: 500VAC ;
5. Insertion and extraction force: 3-25N;
6. life test: 5,000 cycles.

PJ-30330	PJ-30330-1	PJ-30330-2	PJ-30330-3	PJ-30330-4	PJ-30330-5

NO.	PARTS	MATERIALS	Q'TY	FINISH	TOLERANCE UNLESS SPECIFIED		DATE		DESCRIPTIONS OF REVISION		APPD.
8					WITHIN 1.5mm : $\pm 0.1\text{mm}$	A	2012-9-25	初版		ZENQ. CHEN	
7					OVER 1.5mm : $\pm 0.2\text{mm}$	ISSUE	DATE			APPD.	
4	CONTACT	SUS	1	Ag CLAD	TITLE : Audio Jack		UNIT : mm	DRWG NO.: XB-PJ-30330			
3	CASE	PPA/BRASS SRTIP	1	BLACK/Ag PLATED			MODEL:	SCALE: 5:1	DWN.	JUN. YANG	2012-9-25
2	COVER	STEEL STRIP	1	Ni PLATED	东莞市溪榜电子有限公司 DONG GUAN XI BANG ELECTRONI CS CO., LTD.		CHK'D	DONG. PANG	2012-9-25		
1	KNOB	PPA	1	BLACK			APPD.	ZENQ. CHEN	2012-9-25		