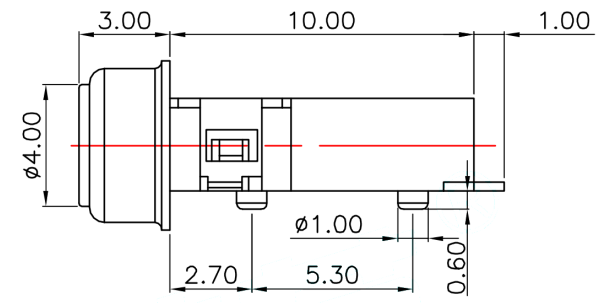
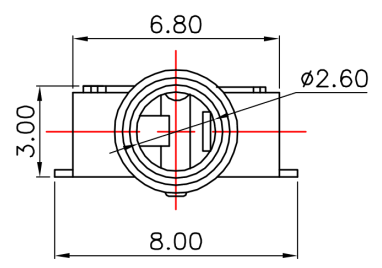
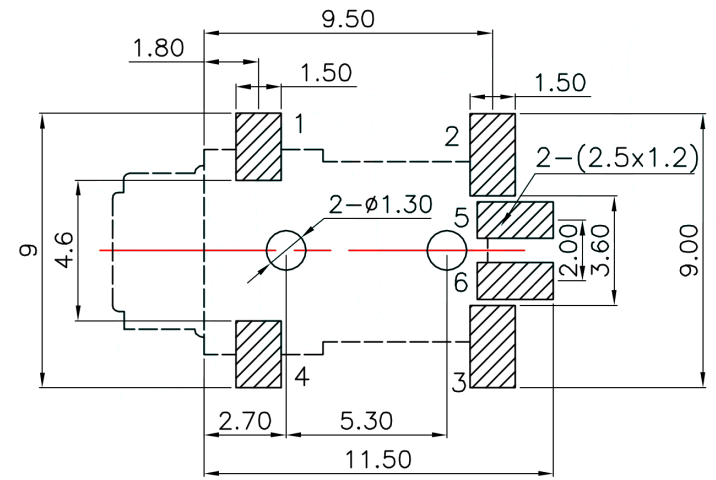


CAD FILE:



P.C.B LAYOUT(copper-sided view)



Model No.	PJ-231B-A	PJ-231B-B
Schematic		
Model No.	PJ-231B-C	
Schematic		

Rating:0.5A 30V DC  
 Contact Resistance:100 mΩ Max.  
 Operating temperature:-20℃~70℃  
 Operating force:3-20N  
 Operating Life:5,000cycles

8										
7										
6										
5										
4	CONTACT	SUS	1	Ag CLAD						
3	CASE	PPA/BRASS SRTIP	1	BLACK/Ag PLATED						
2	COVER	STEEL STRIP	1	Ni PLATED						
1	KNOB	PPA	1	BLACK						
NO.	PARTS	MATERIALS	Q'TY	FINISH						
					TOLERANCE UNLESS SPECIFIED					
					WITHIN 1.5mm : ±0.1mm	A	2023-6-21	初版		ZENQ. CHEN
					OVER 1.5mm : ±0.2mm	ISSUE	DATE	DESCRIPTIONS OF REVISION		APPD.
					TITLE : Audio iack	UNIT : mm	DRWG NO.: XB-PJ-231B			
					MODEL:	SCALE: 5:1	DWN.	JUN. YANG	2023-6-21	
					东莞市溪榜电子有限公司 DONG GUAN XI BANG ELECTRONI CS CO., LTD.	CHK'D	DONG. PANG	2023-6-21		
						APPD.	ZENQ. CHEN	2023-6-21		