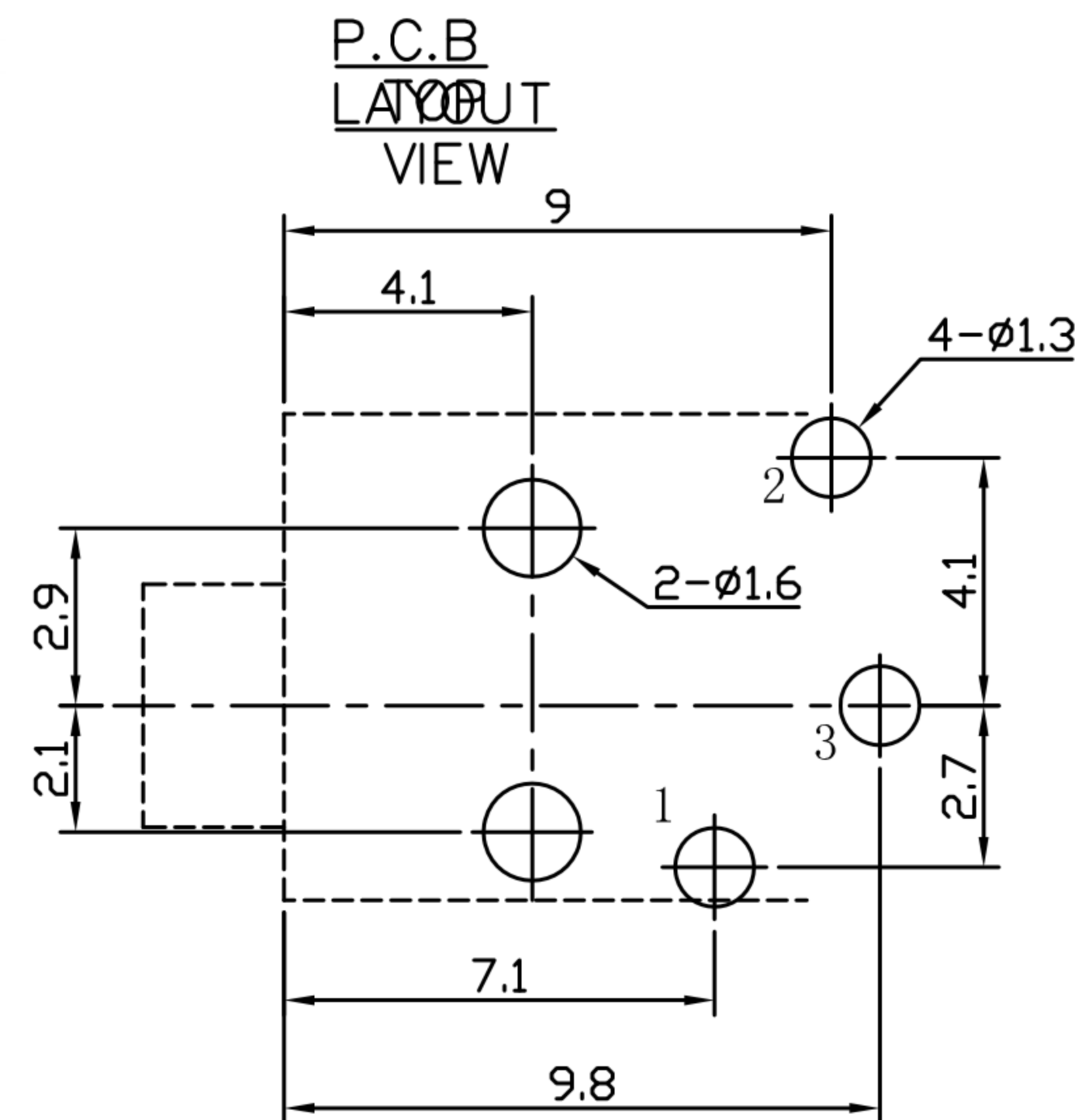
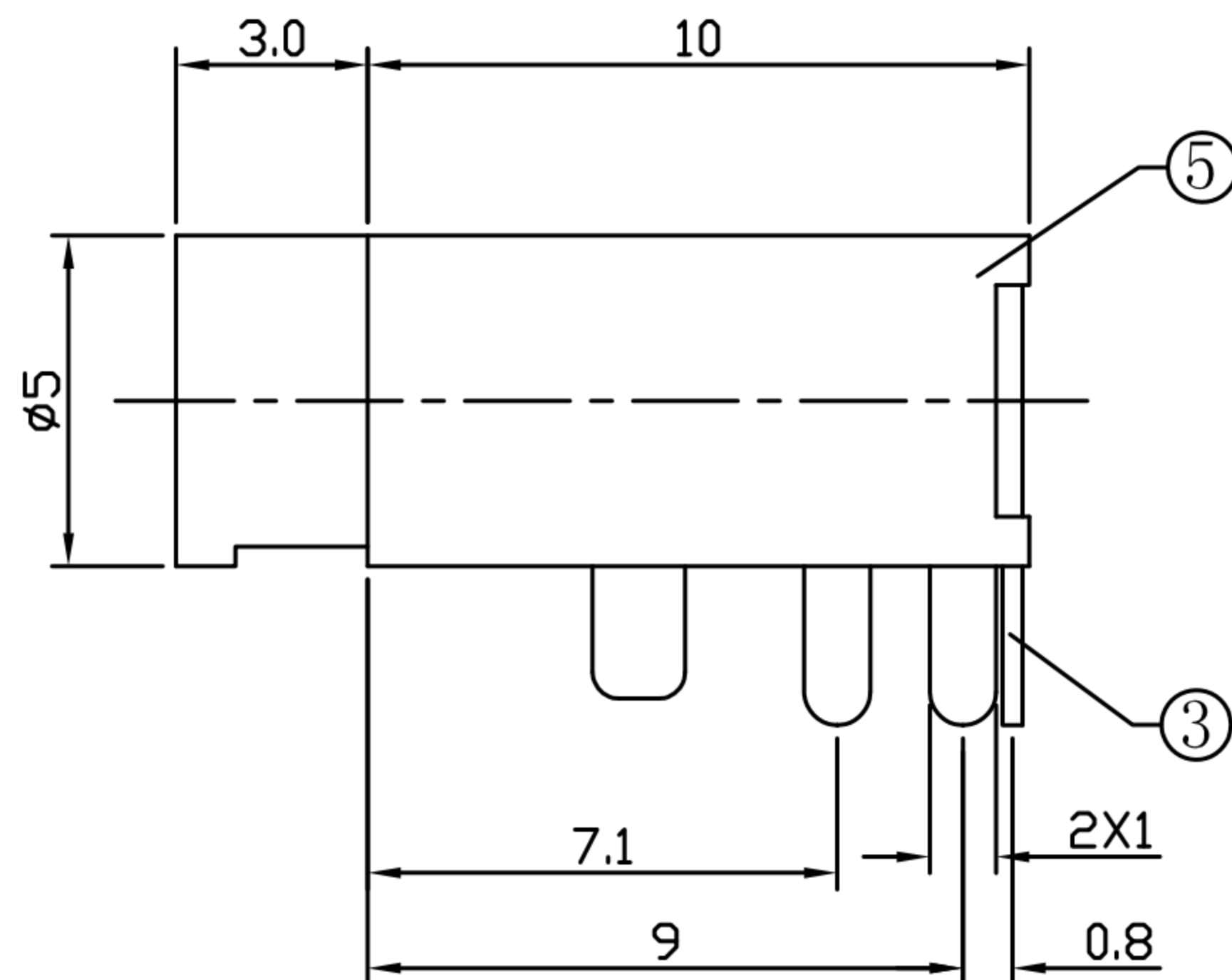
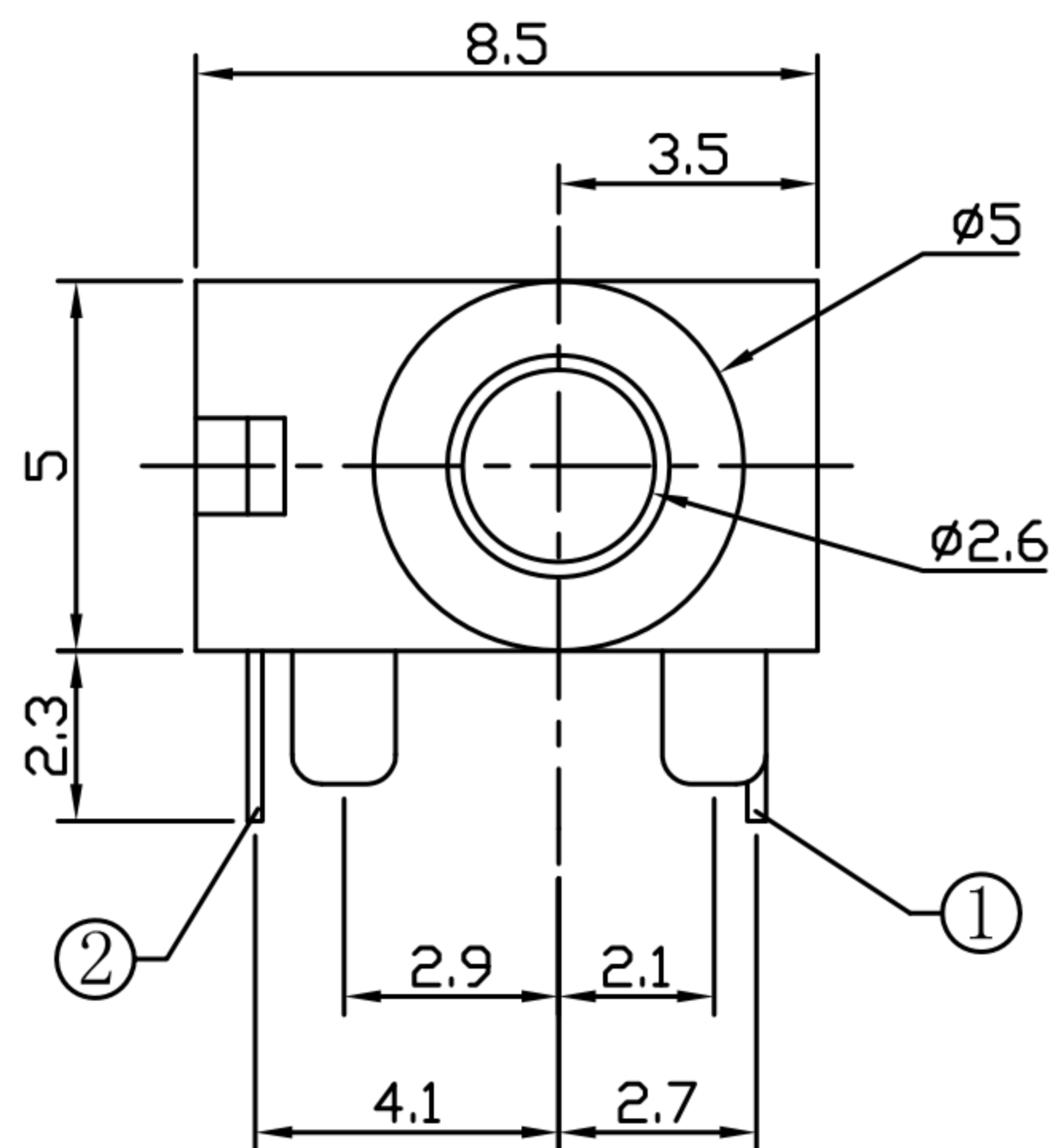
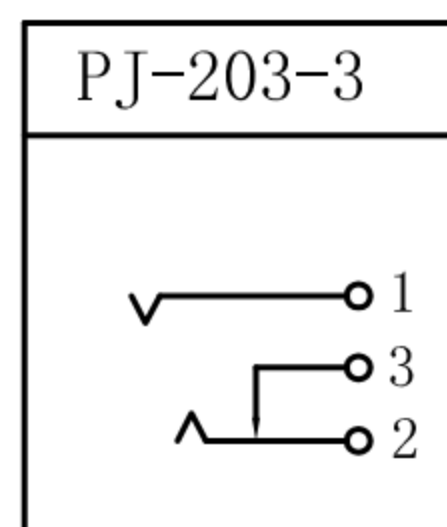


CAD FILE:



SCHEMATIC



SPECIFICATION

1. Rating : DC 30V 0.5A;
2. Contact resistance: $\leq 0.03\Omega$;
3. Insulation resistance: $\geq 100M\Omega$ (DC250V);
4. Withstand voltage: 500VAC ;
5. Insertion and extraction force: 3-20N;
6. life test: 5,000 cycles.

NO.	PARTS	MATERIALS	Q'TY	FINISH	TOLERANCE UNLESS SPECIFIED	ISSUE	DATE	DESCRIPTIONS OF REVISION	APPD.
8									
7									
6					WITHIN 1.5mm : $\pm 0.1mm$	A	2023-6-21	初版	ZENQ. CHEN
5					OVER 1.5mm : $\pm 0.2mm$	ISSUE	DATE	DESCRIPTIONS OF REVISION	APPD.
4	CONTACT	SUS	1	Ag CLAD	TITLE : Audio iack			UNIT : mm	DRWG NO.: XB-PJ-203
3	CASE	PPA/BRASS SRTIP	1	BLACK/Ag PLATED	MODEL:			SCALE: 5:1	DWN. JUN. YANG 2023-6-21
2	COVER	STEEL STRIP	1	Ni PLATED	东莞市溪榜电子有限公司 DONG GUAN XI BANG ELECTRONI CS CO., LTD.			CHK'D	DONG. PANG 2023-6-21
1	KNOB	PPA	1	BLACK				APPD.	ZENQ. CHEN 2023-6-21