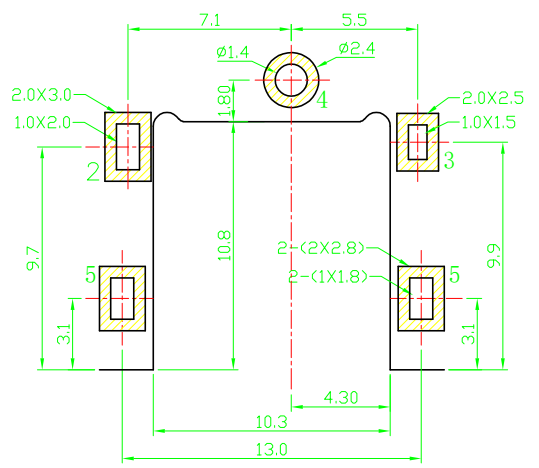
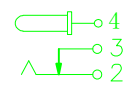


P.C.B LAYOUT  
TOP VIEW



SCHEMATIC



SPECIFICATION

1. Rating : DC 20V 5.5A;
2. Contact resistance:  $\leq 0.03 \Omega$ ;
3. Insulation resistance:  $\geq 100M \Omega$  (DC250V);
4. Withstand voltage: 500VAC ;
5. Insertion and extraction force: 3-20N;
6. life test: 5,000 cycles.

NO.	DESCRIPTION	QTY	MATERIAL	PLATING
6	SPRING PIECE	1	SUS301	
5	COAT	1	IRON	Ni-Plating
4	PIN	1	BRASS	Ni-Plating
3	CONTACT FOOT	1	BRASS	Ag-Plating
2	SPRING PIECE	1	BRONZE	Ag-Plating
1	HOUSING	1	PA9T	

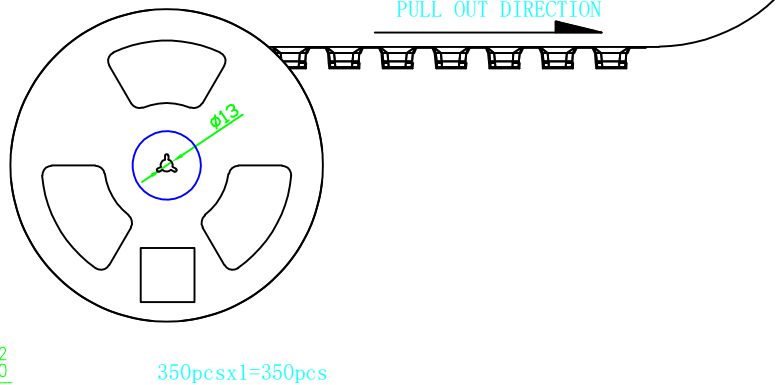
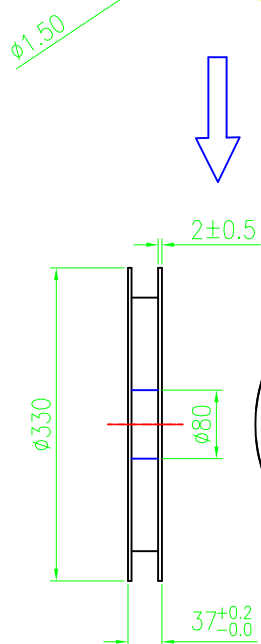
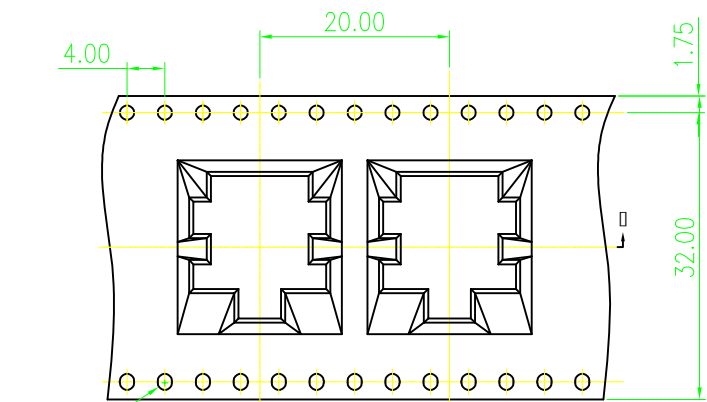
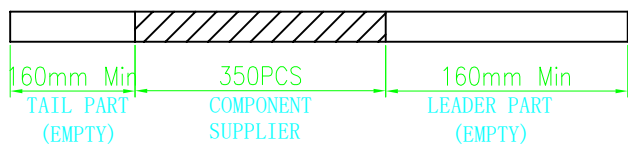
UNLESS OTHERWISE SPECIFIED TOLERANCES

**XGB** 东莞市溪榜电子有限公司  
DONG GUAN XI BANG ELECTRONICS CO., LTD.

DESIGN:	Tony	PART NAME: Φ5.5沉板式(CH=0.9) DC POWER JACK
CHECK:		
APPROVED:	Andy	PART NO. XB-DC550250-0538-30000H
UNIT: mm	2019.5.10	SHEET: 1/1   REV.: A1
3RD ANGLE PROJECTION		DRAWING NO

REV.	ECN NO.	DESCRIPTION	DESIGN	DATE
8				
7				
6				
5				

PULL OUT DIRECTION



1. 包装方式:

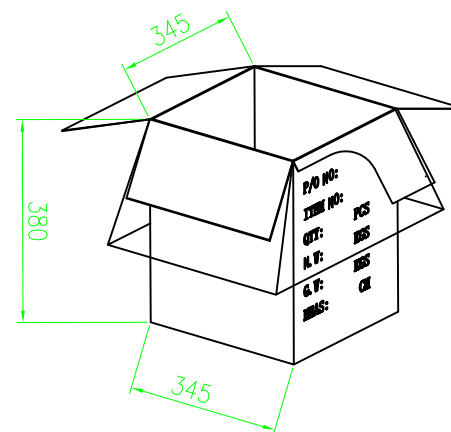
- 1.1. 使用半自动包装机, 先将CARRY TAPE 送入导轨中, 并与COVER TAPE 贴合在上面, 其中初始160mm Min空槽不要放产品, 然后将产品如图所示方向依次放入CARRY TAPE内, 每个槽放1PCS, 每REEL共包装产品350PCS, 最后需留160mm Min空槽不放产品.
- 1.2. 用胶带将CARRY TAPE粘在一起, 外圈再用塑胶带(电周波)缠绕一圈, 按客户求在REEL上贴上LABEL, 注明料号, 日期, 数量.
- 1.3. 如图示, 将装好的REEL装入PE袋内, 再将其放入CARTON内, 最后用胶带封箱, 并在纸箱外相应的地方贴上标签.

注意:

1. 防止漏装, 禁止碰歪产品锡脚;
2. 产品在 CARRY TAPE中的方向须如图所示(BOSS的方向)

2. 包装数量:

350pcs/REEL  
10REEL (3500PCS)/CARTON



350pcs/\*10=3500pcs

REV.	ECN NO.	DESCRIPTION	DESIGN	DATE
------	---------	-------------	--------	------

UNLESS OTHERWISE SPECIFIED TOLERANCES		<b>东莞市溪榜电子有限公司</b> DONG GUAN XI BANG ELECTRONICS CO., LTD.	
DECIMALS:	ANGLES:	DESIGN:	Tony
DIM	TOL	DIM	TOL
X.	±0.50	X.	±2°
X.X	±0.30	X.X	±1°
X.XX	±0.20	X.XX	/
X.XXX	±0.10	X.XXX	/
3RD ANGLE PROJECTION		CHECK:	
UNIT: mm		APPROVED	Andy
			2019.5.10
		PART NAME:	
		Φ5.5沉板式(CH=0.9)	
		DC POWER JACK-包装图	
		PART NO.	
		XB-DC550250-0538-30000H	
		SHEET: 1/1	REV.: A1
		DRAWING NO	