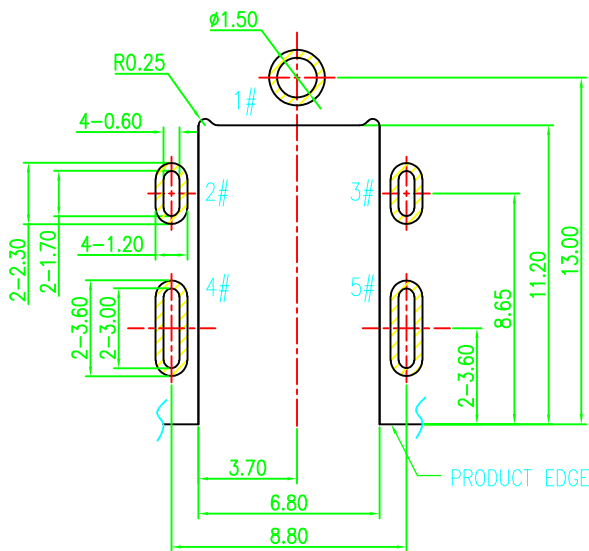
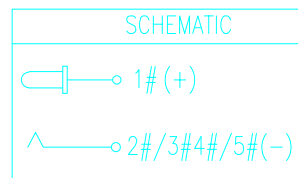
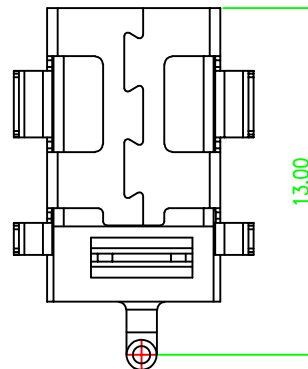
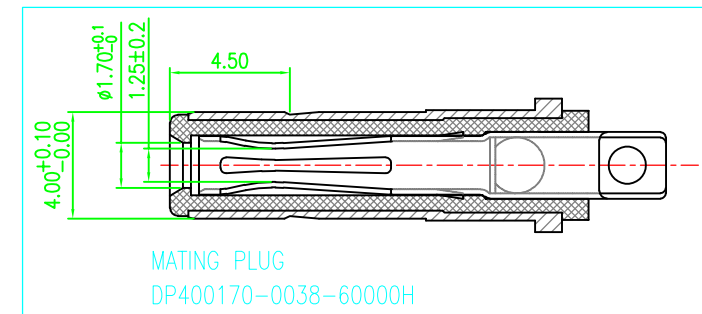


SPECIFICATION:

1. RATING: DC 20V 8A
2. CONTACT RESISTANCE: 30mΩ MAX.
3. INSULATION RESISTANCE: 100 MΩ MIN.
4. WITHSTAND VOLTAGE: 500 VAC
5. INSERTION FORCE: 30N MAX.
6. EXTRACTION FORCE: 3N MIN.
7. DURABILITY: 5,000 CYCLES



RECOMMENDED PCB LAYOUT (t=1.00)
TOP VIEW TOLERANCE: ±0.05



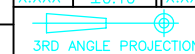
NO.	DESCRIPTION	MATERIAL	REMARKS	QTY
C	CENTER PIN	BRASS	GOLD FLASH/Ni 40u"	1
B	SHELL	COPPER ALLOY	Ni 40u"	1
A	HOUSING	HIGH TEMP.THERMOPLASTIC	BLACK	1

UNLESS OTHERWISE SPECIFIED TOLERANCES

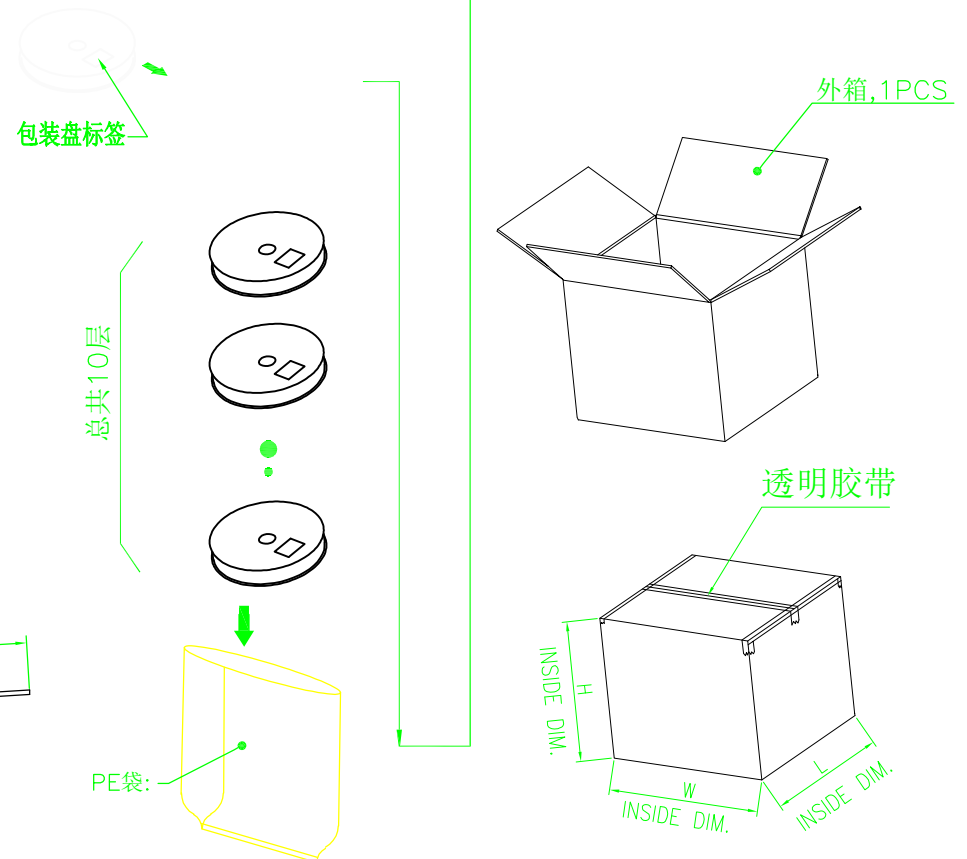
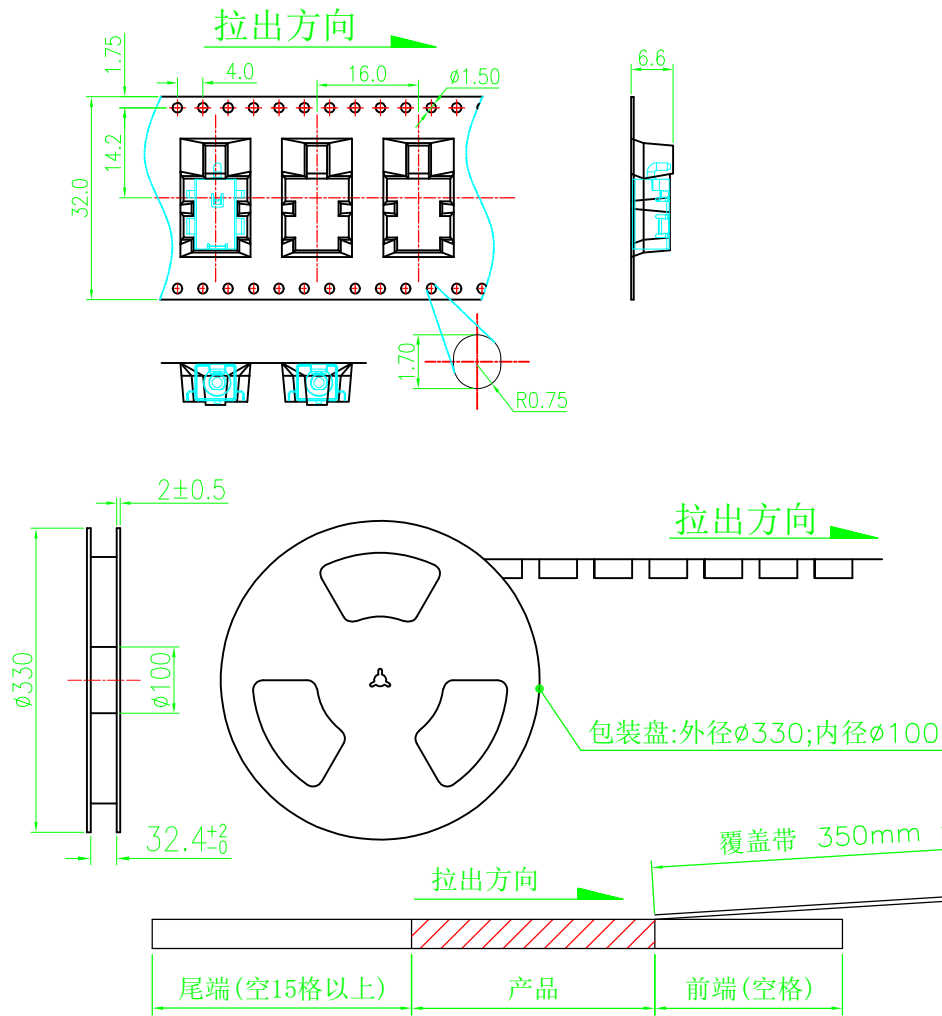
东莞市溪榜电子有限公司
DONG GUAN XI BANG ELECTRONICS CO., LTD.

DECIMALS:	ANGLES:	DESIGN:	Tony	PART NAME:
DIM	TOL	DIM	TOL	Φ4.0沉板式 (CH=1.5)
X.	±0.50	X.	±2°	DC POWER JACK
X.X	±0.30	X.X	±1°	
X.XX	±0.20	X.XX	—	PART NO.
X.XXX	±0.10	X.XXX	—	XB-DC400170-0985-30000H
		APPROVED	Andy	SHEET: 1/1 REV.: A1
			2021.12.21	DRAWING NO

REV	ECN NO.	DESCRIPTION	DESIGN	DATE
8				
7				
6				
5				



UNIT: mm



备注:

1. 材料规格:
 - 1.1 载带:T=0.50mm,黑色
 - 1.2 包装盘:蓝色
 - 1.3 纸箱: L=335,W=335,H=380
2. 包装数量:

600PCS/卷, 10卷(6000PCS)/箱
3. 上盖带拨离力: 0.1N~0.7N(10~70gf);

拨离角度: 165°~180°;
拨离速度: 300mm/分钟.

UNLESS OTHERWISE SPECIFIED TOLERANCES				东莞市溪榜电子有限公司 DONG GUAN XI BANG ELECTRONICS CO., LTD.			
DECIMALS:		ANGLES:		DESIGN:	Tony	PART NAME:	
DIM	TOL	DIM	TOL		2021.12.21	Φ4.0 沉板式(CH=1.50)	
x.	—	x.	—	CHECK:		DC POWER JACK-包装图	
x.x	—	x.x	—			PART NO.	
x.xx	—	x.xx	—	APPROVED	Andy	XB-DC400170-0985-30000H	
x.xxx	—	x.xxx	—		2021.12.21	SHEET: 1/1 REV.: A	
3RD ANGLE PROJECTION				UNIT:		DRAWING NO	
				m/m			

REV.	ECN NO.	DESCRIPTION	DESIGN	DATE
------	---------	-------------	--------	------

8 | 7 | 6 | 5 | 4 | 3 | 2 | 1