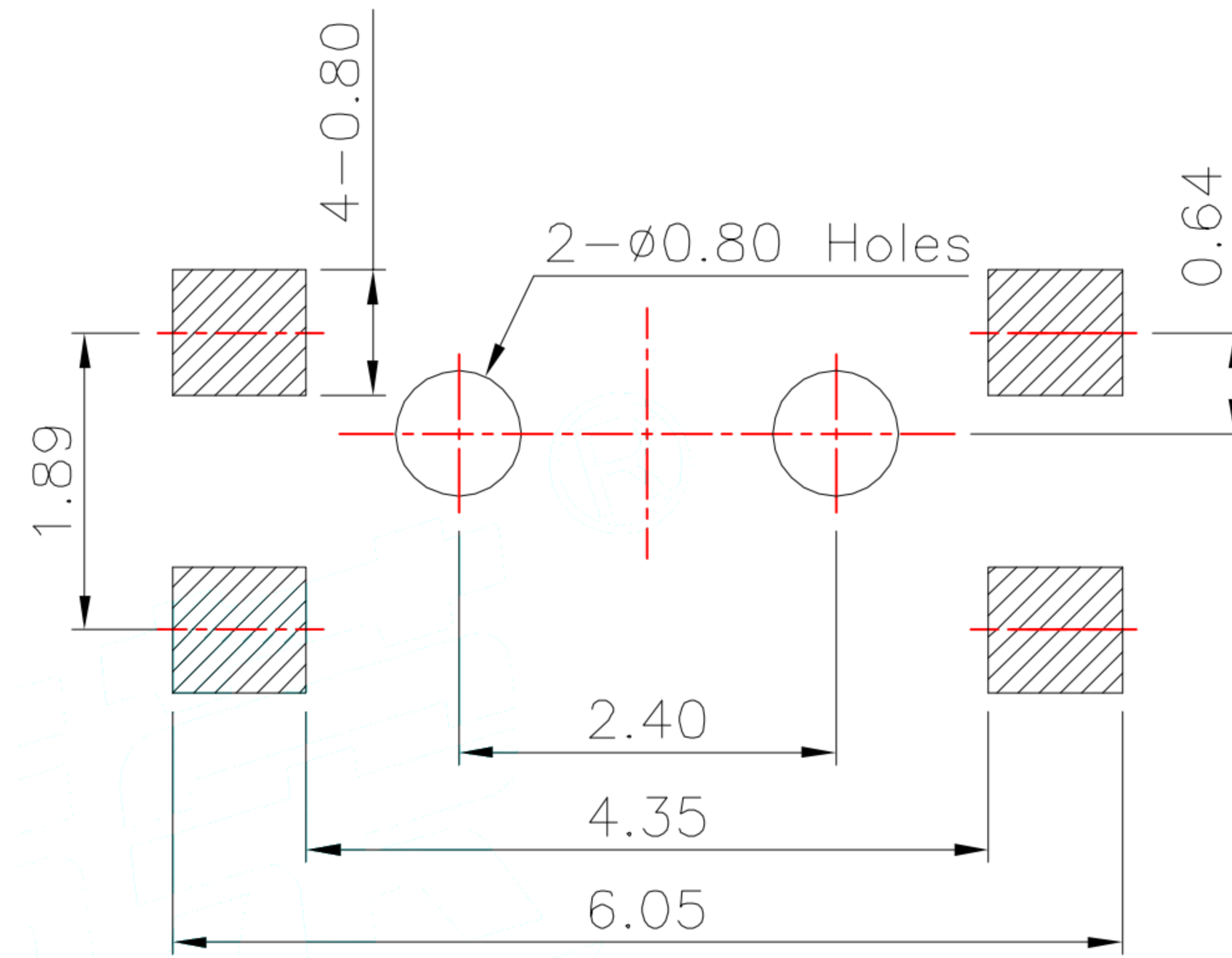
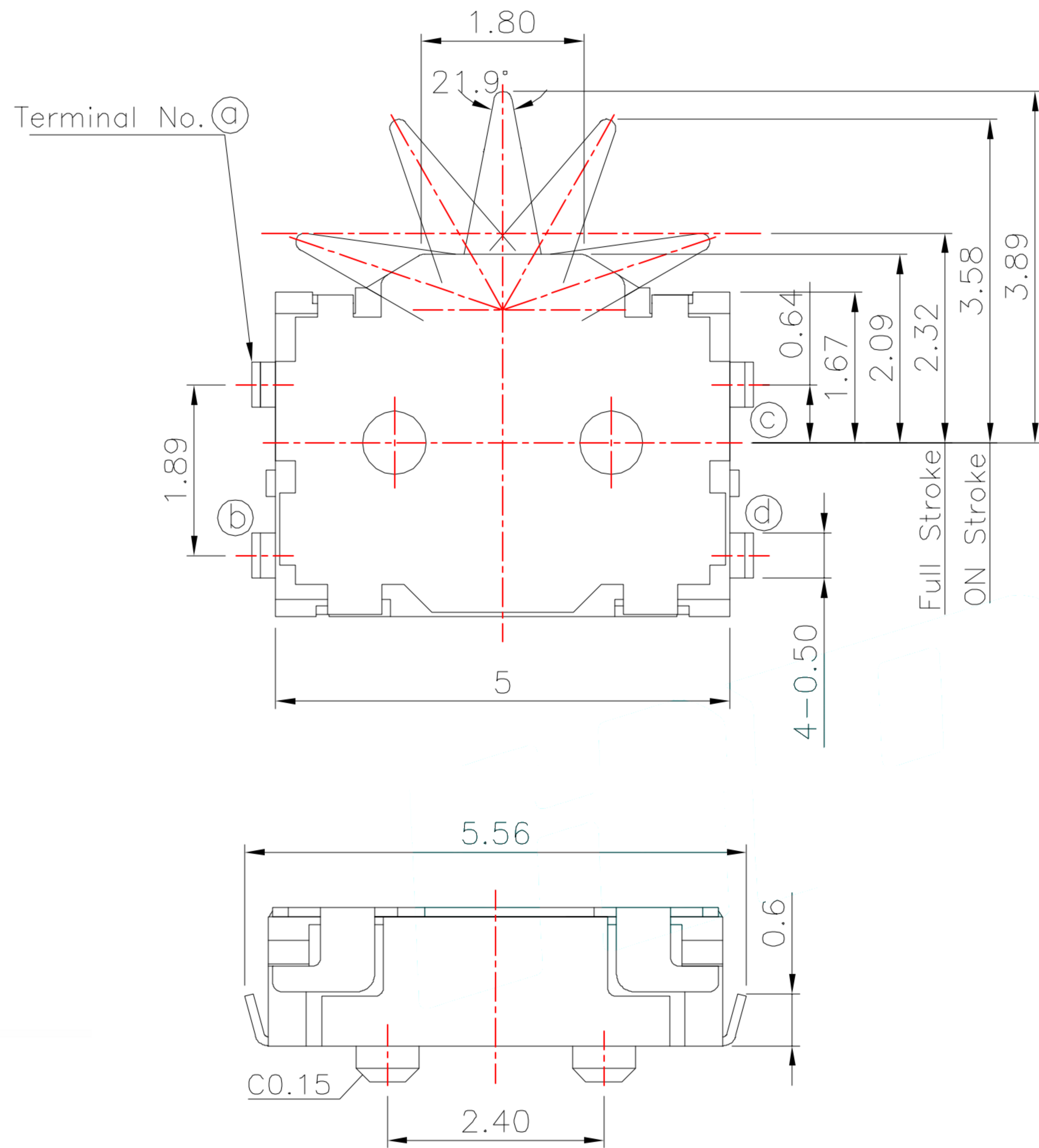
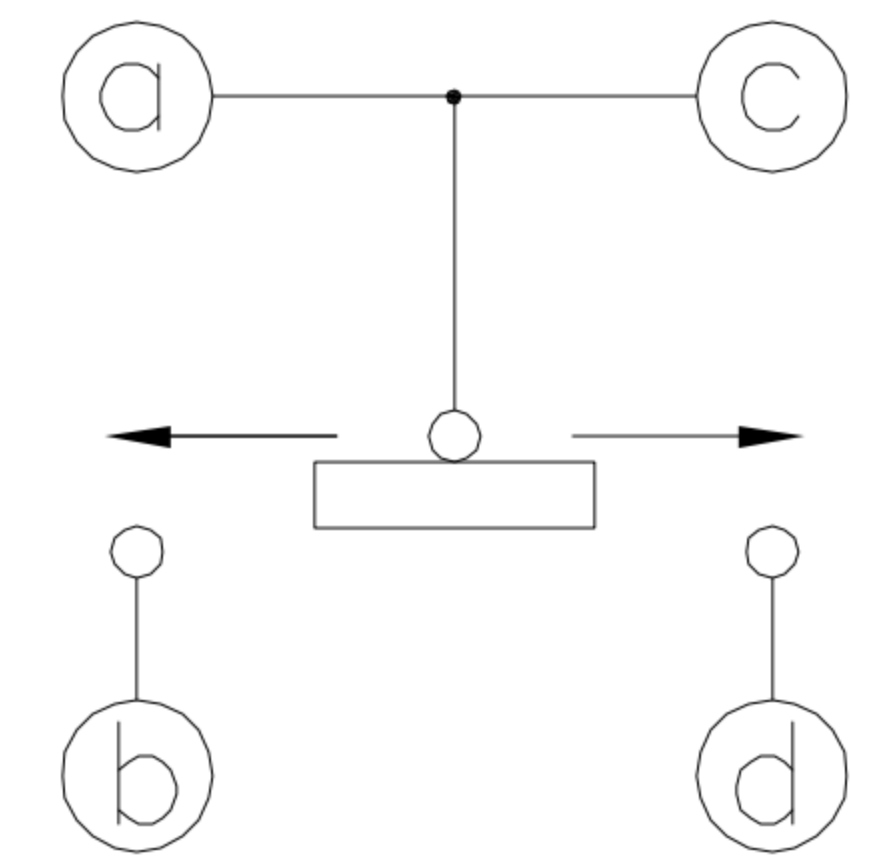
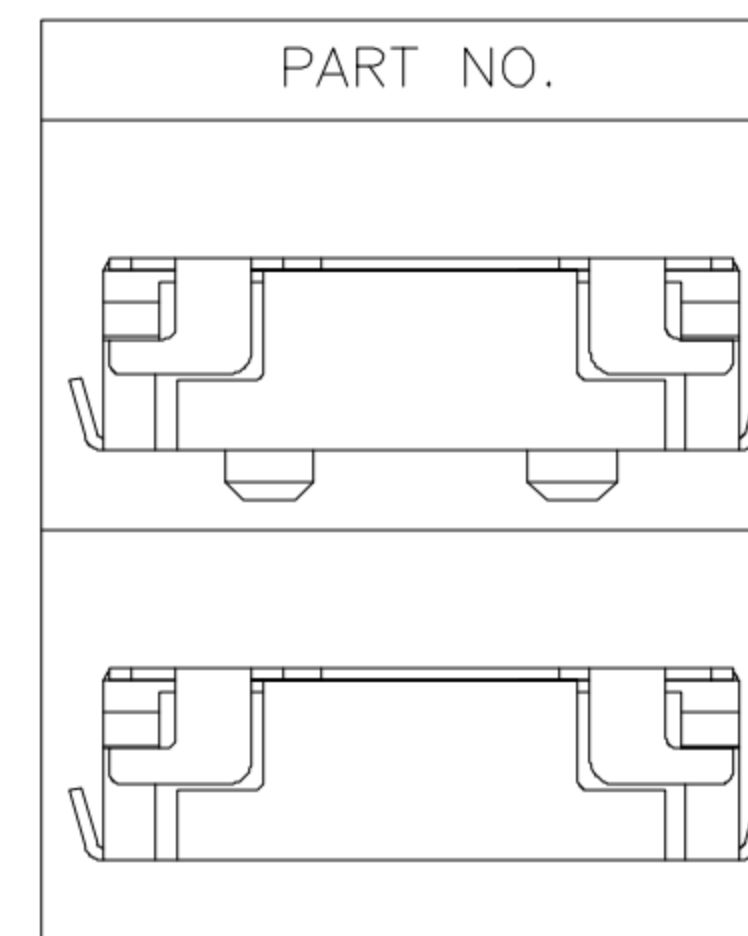


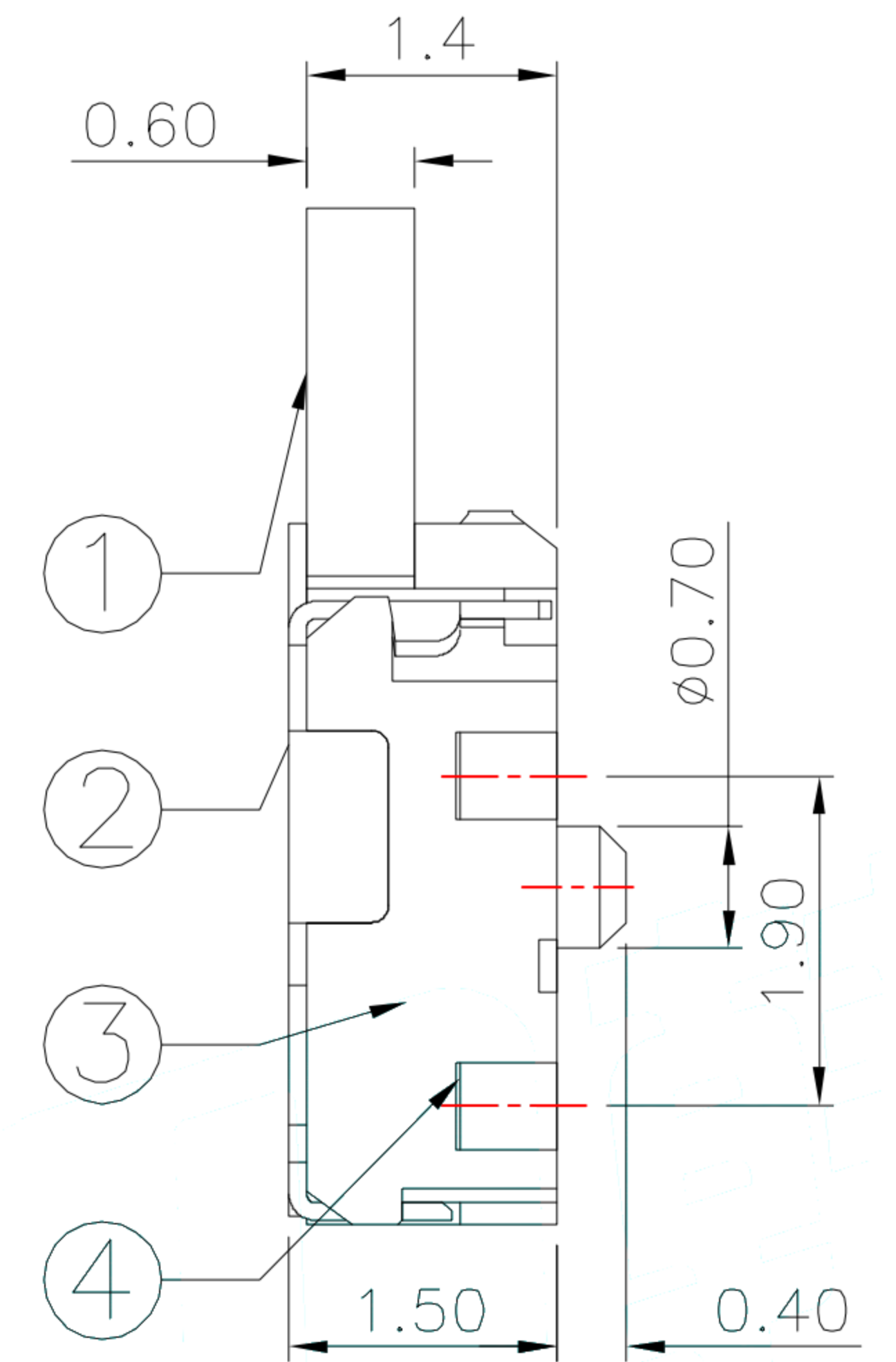
CAD FILE:



PCB Layout(Pattern side)



Circuit Diagram
SCHEMATIC



NOTE:
Rating: DC 12V 50mA
Operating Force: 30±10gf
Lifetime: 100,000 Cycles

8					TOLERANCE					
7					UNLESS SPECIFIED					
6					WITHIN 1.5mm : ±0.1mm	A	2012-9-25	初版		ZENQ. CHEN
5					OVER 1.5mm : ±0.2mm	ISSUE	DATE	DESCRIPTIONS OF REVISION		APPD.
4	CONTACT	SUS	1	Ag CLAD	TITLE : Detector Switches			UNIT : mm	DRWG NO.:XB-MT-0127	
3	CASE	PPA/BRASS SRTIP	1	BLACK/Ag PLATED	MODEI:			SCALE: 5:1	DWN.	JUN. YANG 2012-9-25
2	COVER	STEEL STRIP	1	Ni PLATED	东莞市溪榜电子有限公司 DONG GUAN XI BANG ELECTRONICS CO., LTD.			CHK'D	DONG. PANG 2012-9-25	
1	NOB	PPA	1	BLACK				APPD.	ZENQ. CHEN 2012-9-25	
NO.	PARTS	MATERIALS	Q'TY	FINISH						