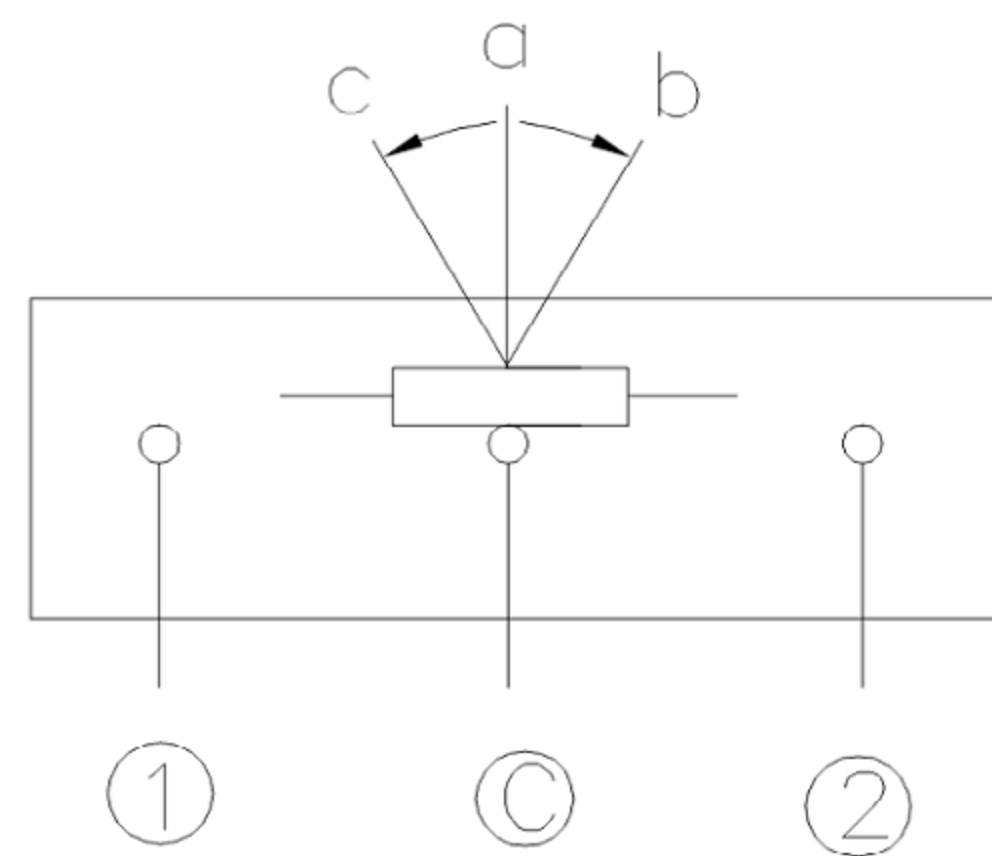
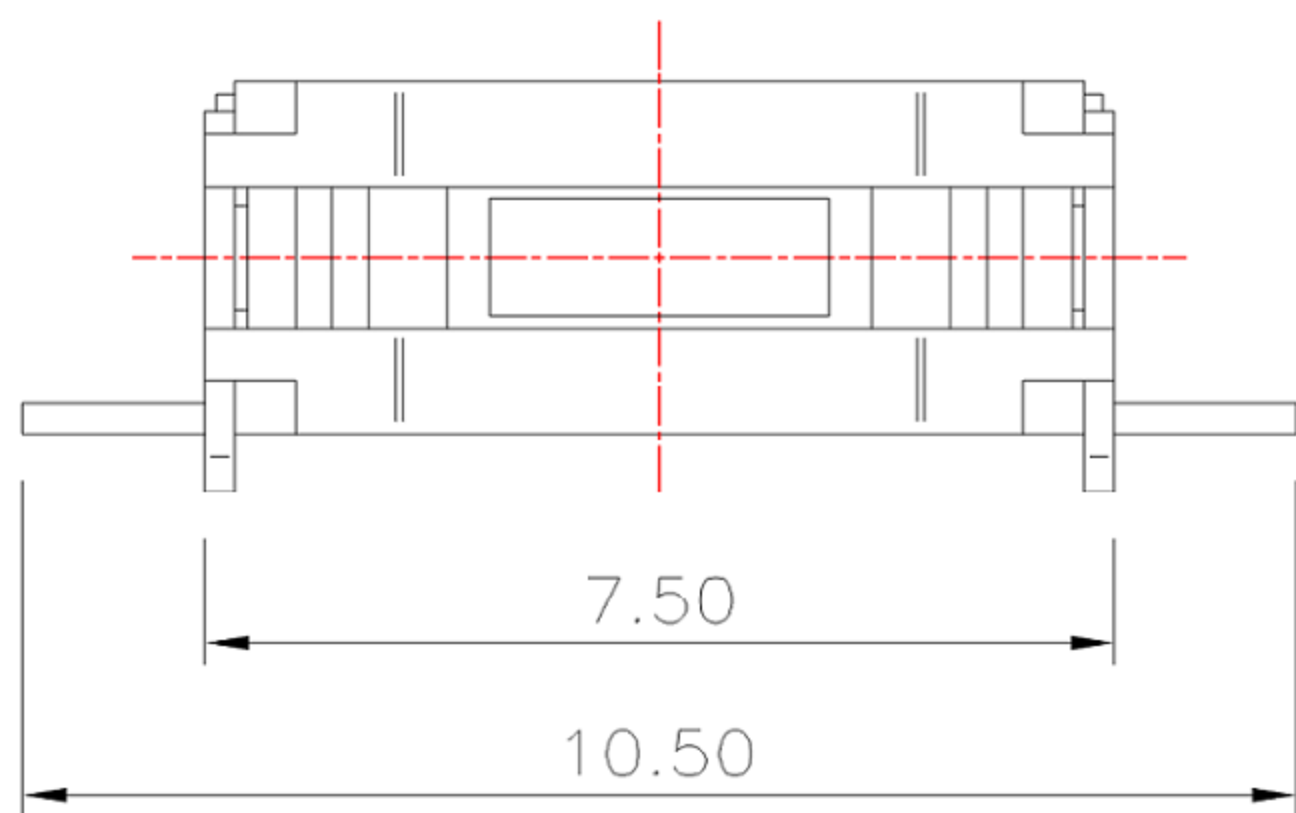
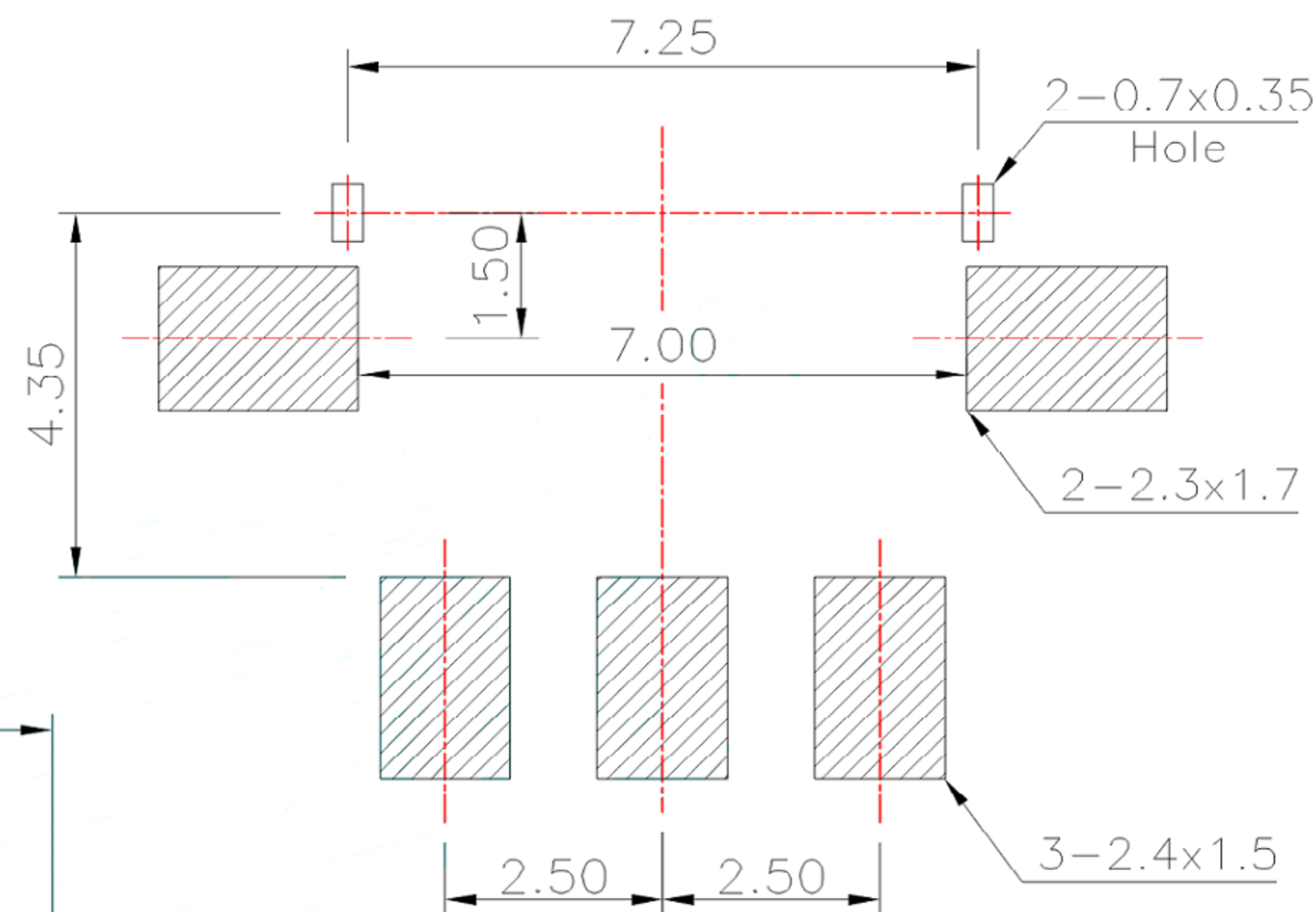


CAD FILE:

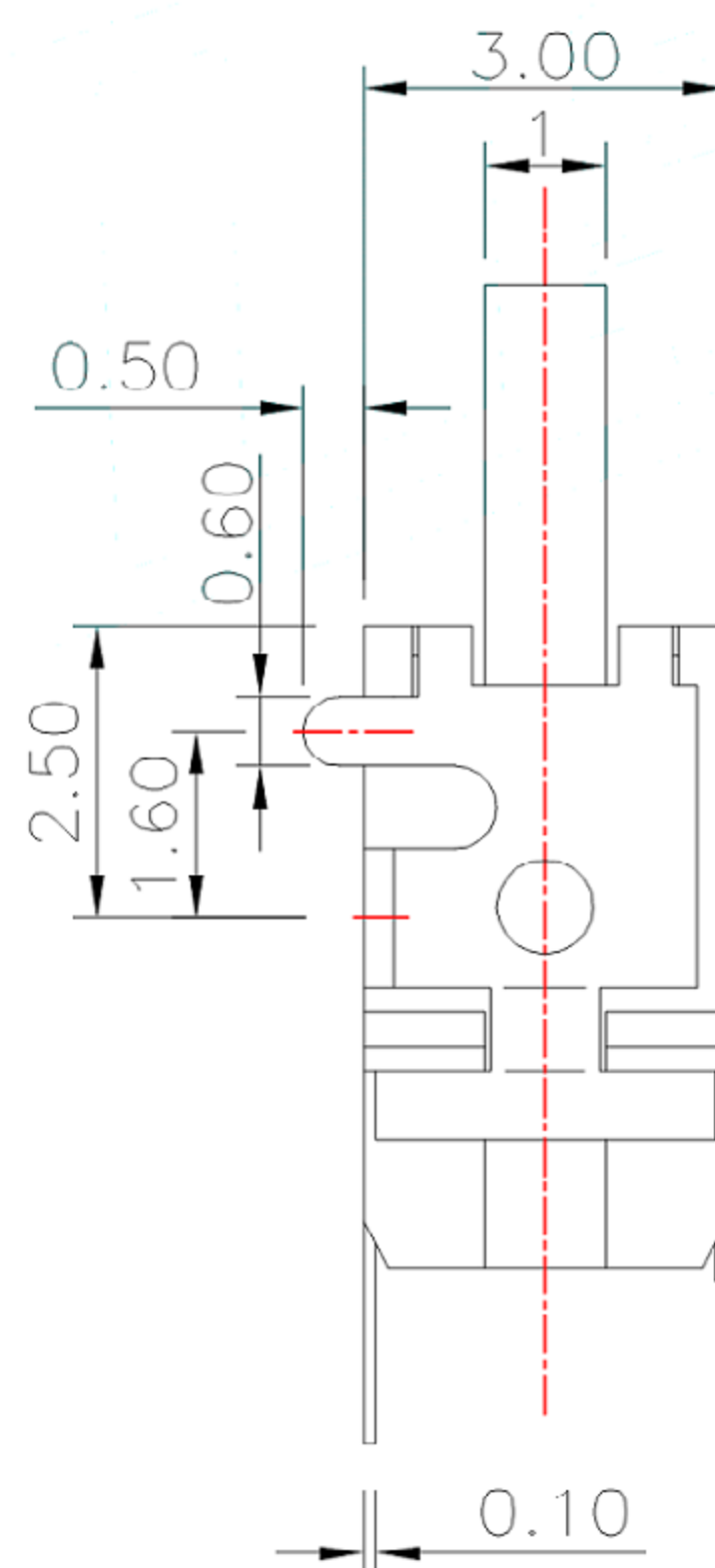
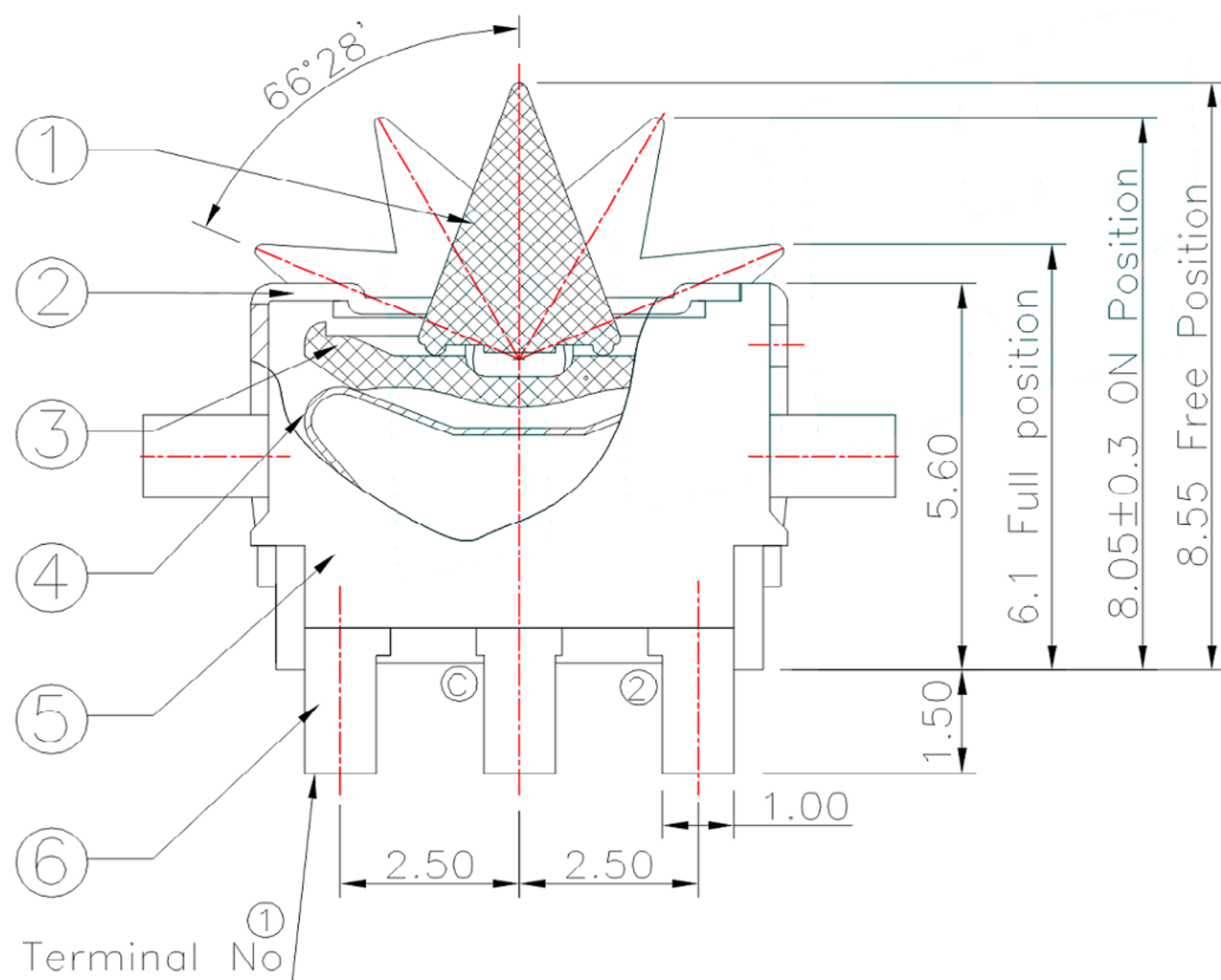
**ROHS**



Circuit Diagram



PCB Layout(Pattern side)



NOTE:  
Operating Force: 40gf Max

NO.	PARTS	MATERIALS	Q'TY	FINISH	TOLERANCE UNLESS SPECIFIED		DESCRIPTIONS OF REVISION		
8					WITHIN 1.5mm : ±0.1mm	A	2012-9-25	初版	
7					OVER 1.5mm : ±0.2mm	ISSUE	DATE	ZENQ. CHEN	
6					APPD.				
5					TITLE : <b>Detector Switch</b>				
4	CONTACT	SUS	1	Ag CLAD	MODEL: XB-TM-W-19WT		UNIT : mm	DRWG NO.: XB-TM-W-19WT	
3	CASE	PPA/BRASS SRTIP	1	BLACK/Ag PLATED	SCALE: 5:1	DWN.	JUN. YANG	2012-9-25	
2	COVER	STEEL STRIP	1	Ni PLATED	CHK'D	DONG. PANG	2012-9-25		
1	KNOB	PPA	1	BLACK	APPD.	ZENQ. CHEN	2012-9-25		
					<b>东莞市溪榜电子有限公司</b> DONG GUAN XI BANG ELECTRONICS CO., LTD.				