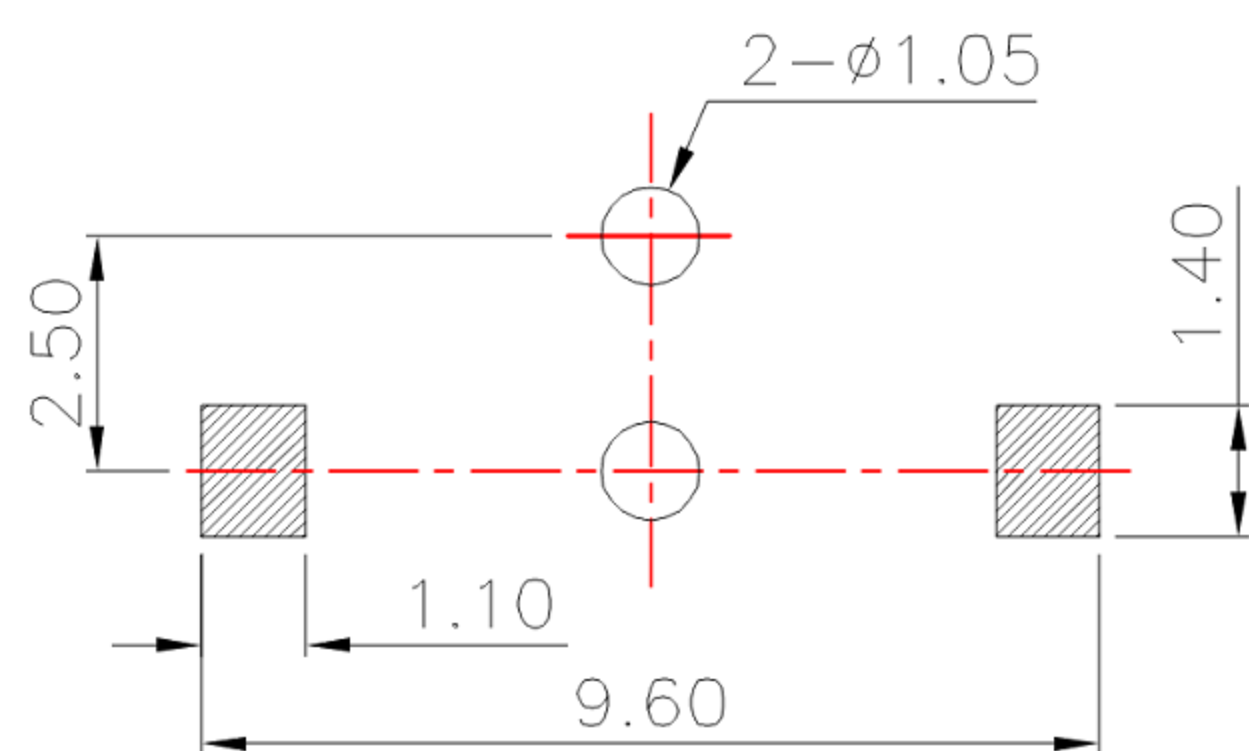
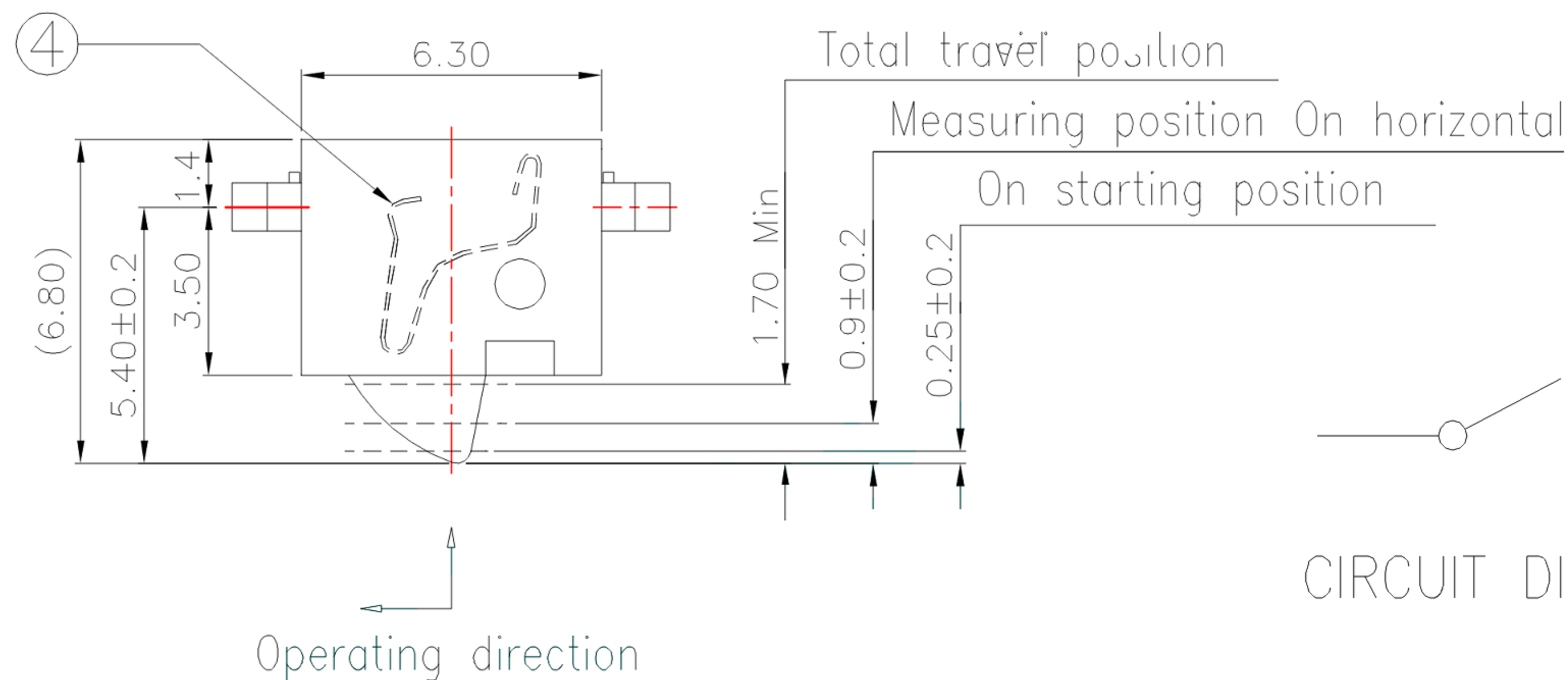


CAD FILE:

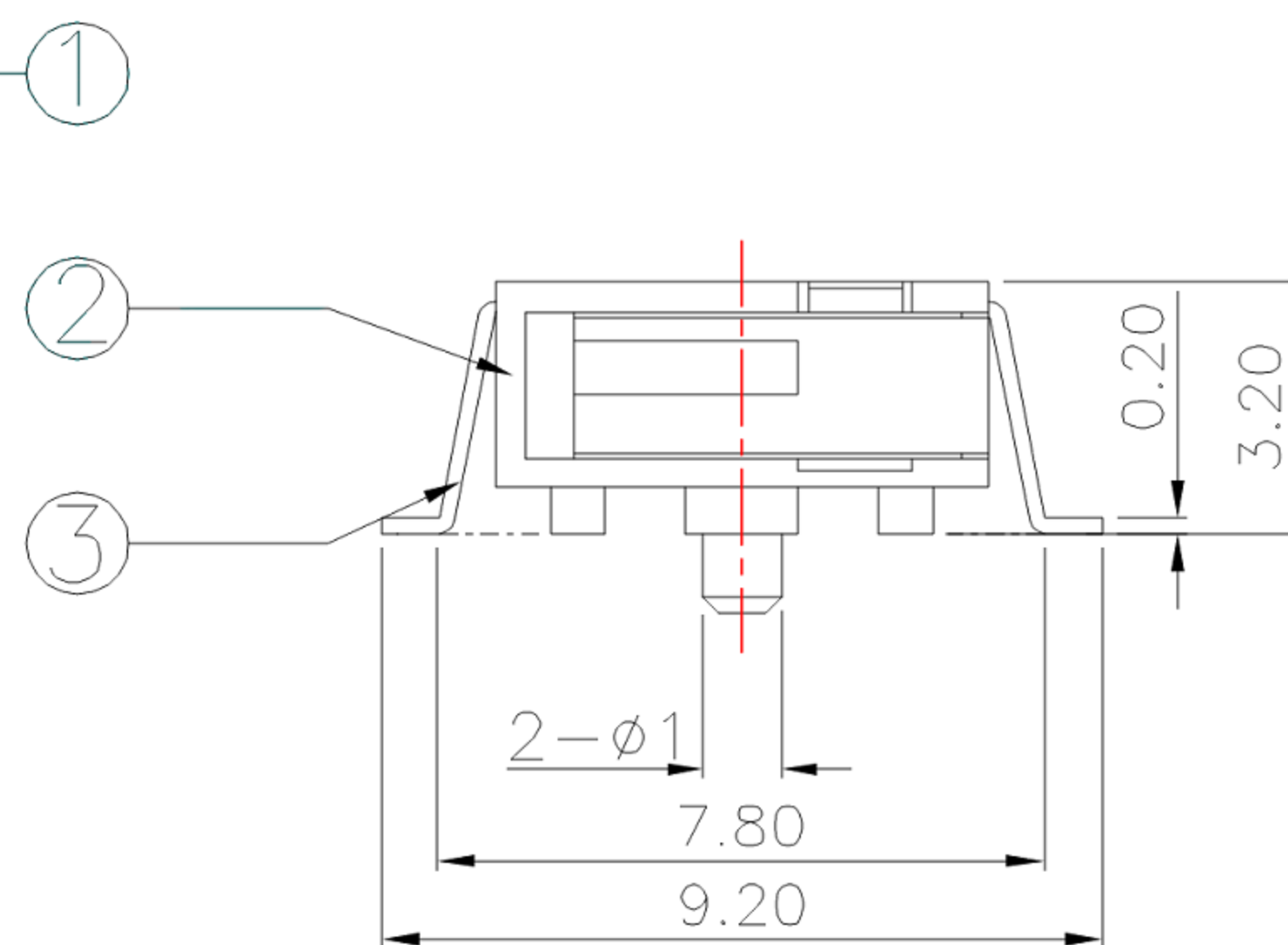
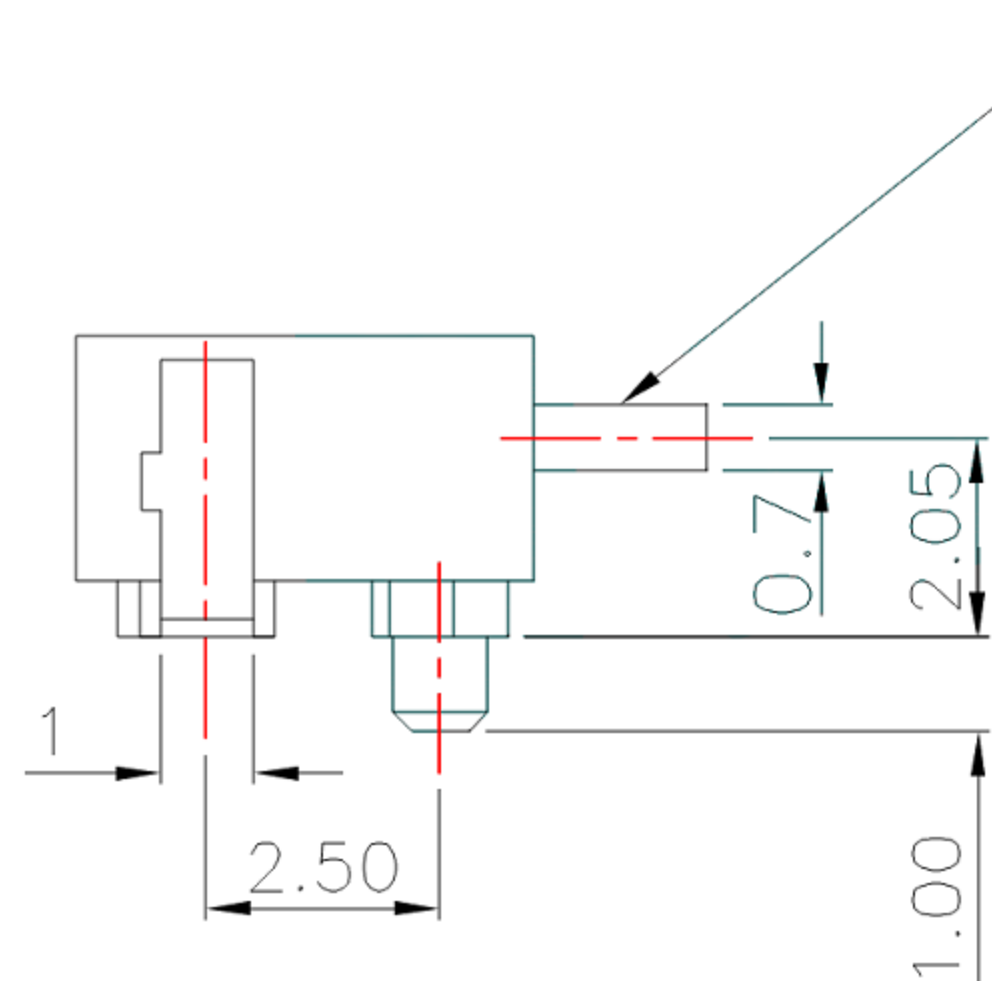
**ROHS**



HOLE LAYOUT



CIRCUIT DIRGRAM



NOTE:  
 Rating: DC 12V 0.1A  
 Operating Force: 20±10gf  
 Lifetime: 50,000 Cycles

NO.	PARTS	MATERIALS	Q'TY	FINISH	TOLERANCE UNLESS SPECIFIED	ISSUE	DATE	DESCRIPTIONS OF REVISION	APPD.
8									
7									
6					WITHIN 1.5mm : ±0.1mm	A	2012-9-25	初版	ZENQ. CHEN
5					OVER 1.5mm : ±0.2mm	ISSUE	DATE	DESCRIPTIONS OF REVISION	APPD.
4	CONTACT	SUS	1	Ag CLAD	TITLE : <b>Detector Switch</b>			UNIT : mm	DRWG NO.: XB-TM-W-09TP
3	CASE	PPA/BRASS SRTIP	1	BLACK/Ag PLATED	MODEL: XB-TM-W-09TP			SCALE: 5:1	DWN. JUN. YANG 2012-9-25
2	COVER	STEEL STRIP	1	Ni PLATED	<b>东莞市溪榜电子有限公司</b> DONG GUAN XI BANG ELECTRONI CS CO., LTD.			CHK'D	DONG. PANG 2012-9-25
1	KNOB	PPA	1	BLACK				APPD.	ZENQ. CHEN 2012-9-25