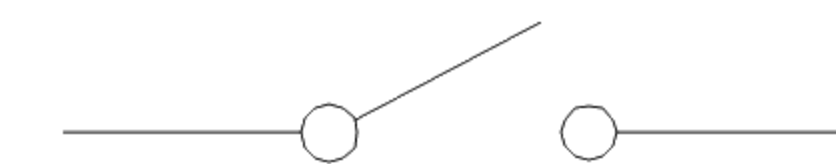
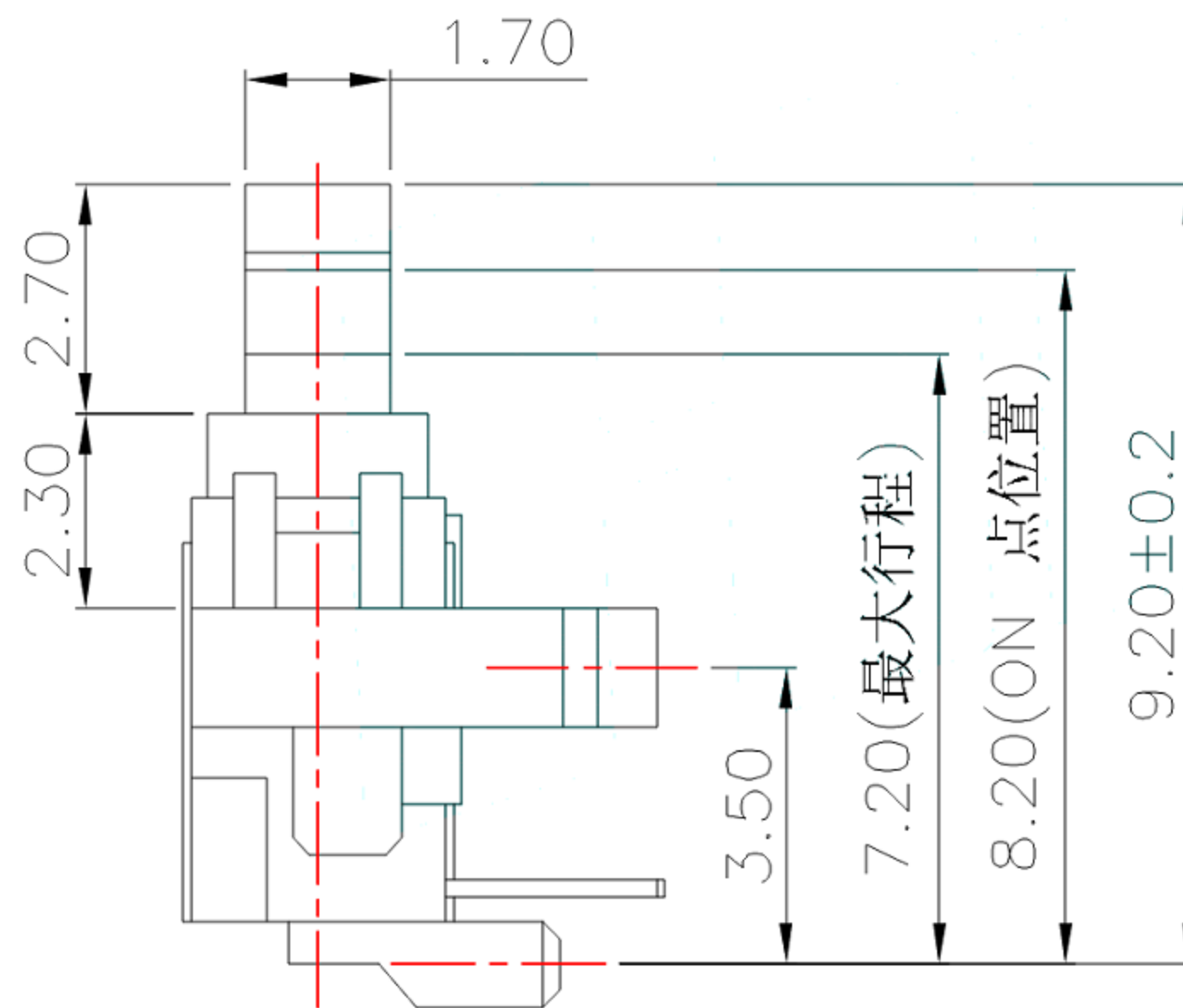
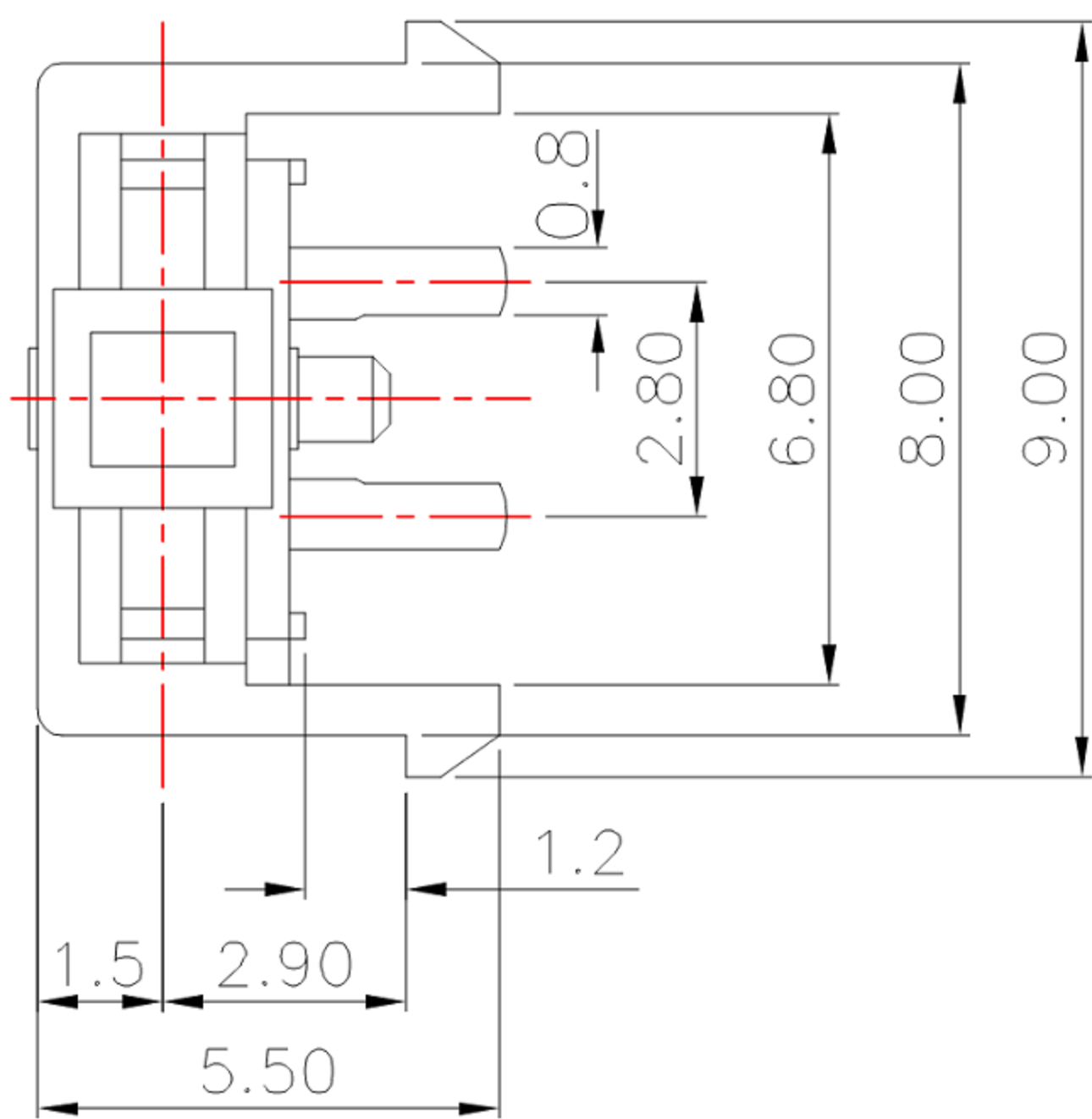
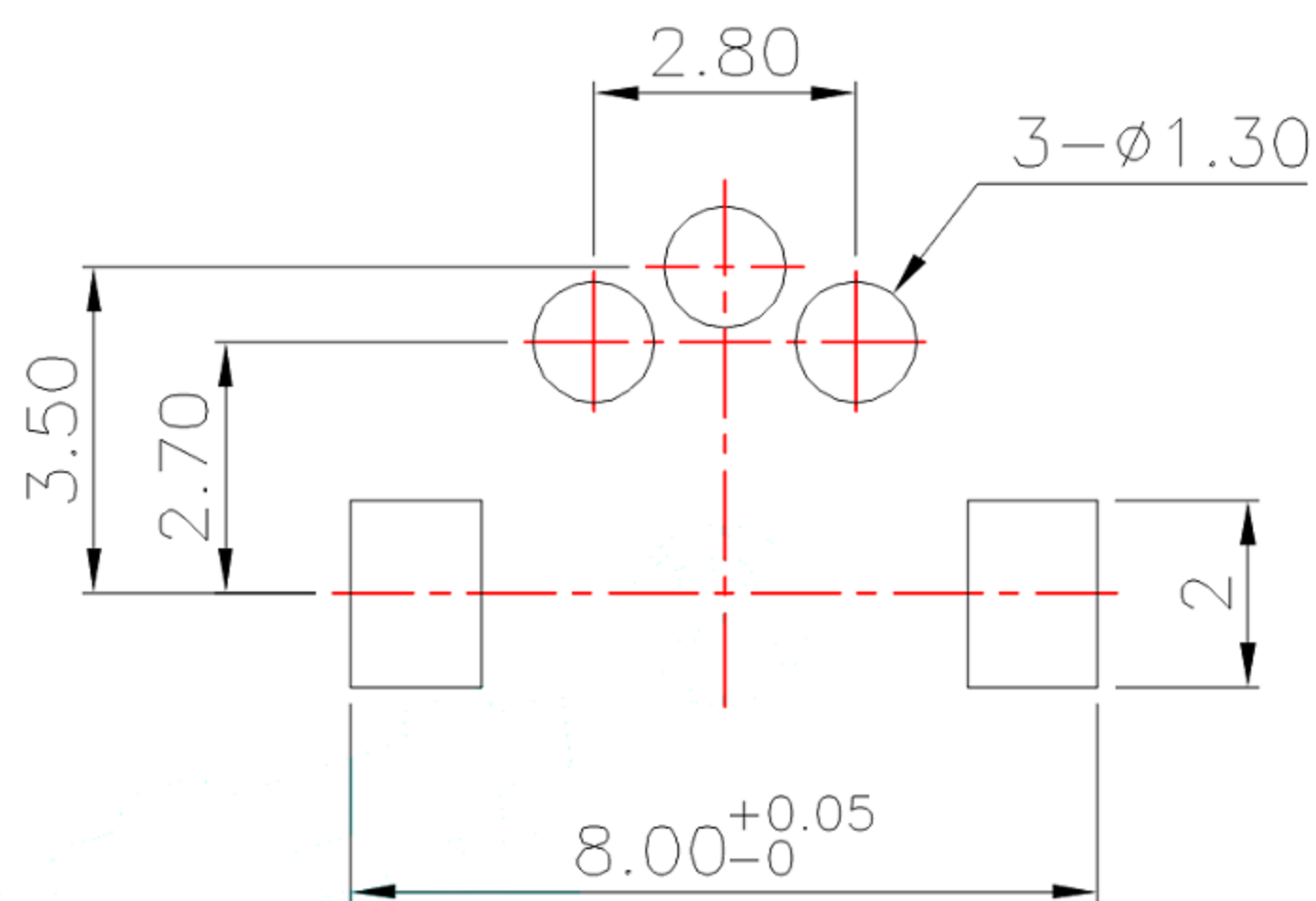


CAD FILE:

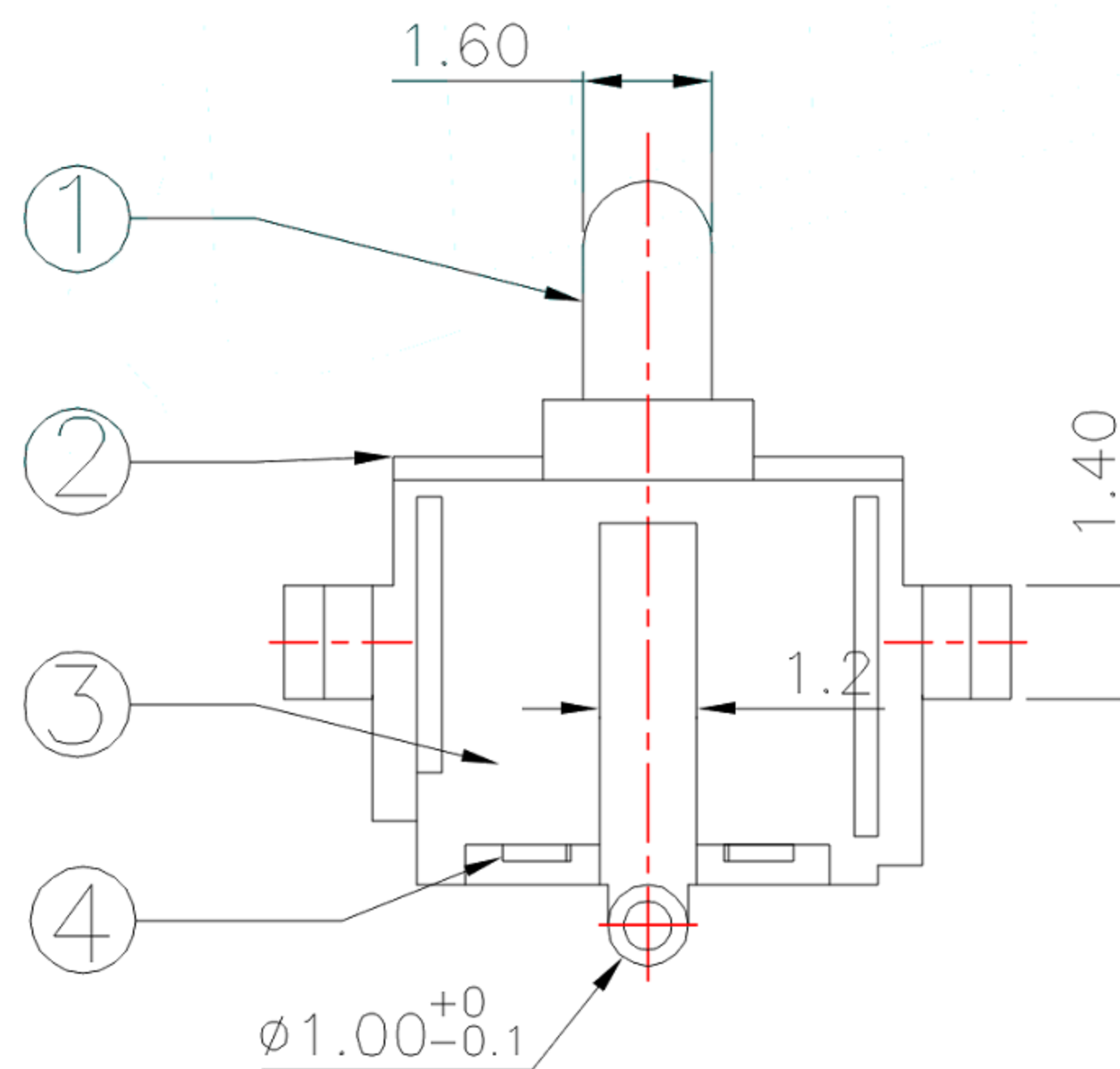
ROHS



CIRCUIT DIRGRAM



PCB Layout(pattern side)



NOTE:
 Rating: DC 30V 0.1A
 Operating Force: 50±10gf
 Lifetime: 50,000 Cycles

8					TOLERANCE						
7					UNLESS SPECIFIED						
6					WITHIN 1.5mm : ±0.1mm	A	2012-9-25	初版		ZENQ. CHEN	
5					OVER 1.5mm : ±0.2mm	ISSUE	DATE	DESCRIPTIONS OF REVISION		APPD.	
4	CONTACT	SUS	1	Ag CLAD	TITLE : Detector Switch			UNIT : mm	DRWG NO.: XB-TM-W-04B-2		
3	CASE	PPA/BRASS SRTIP	1	BLACK/Ag PLATED	MODEL: XB-TM-W-04B-2			SCALE: 5:1	DWN.	JUN. YANG	2012-9-25
2	COVER	STEEL STRIP	1	Ni PLATED	东莞市溪榜电子有限公司 DONG GUAN XI BANG ELECTRONICS CO., LTD.			CHK'D	DONG. PANG	2012-9-25	
1	KNOB	PPA	1	BLACK				APPD.	ZENQ. CHEN	2012-9-25	
NO.	PARTS	MATERIALS	Q'TY	FINISH							