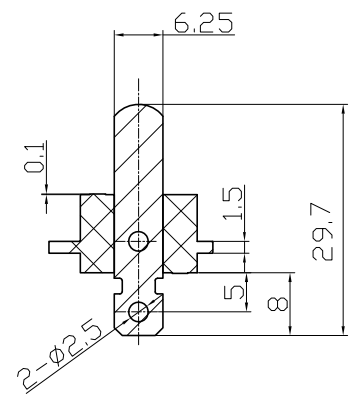
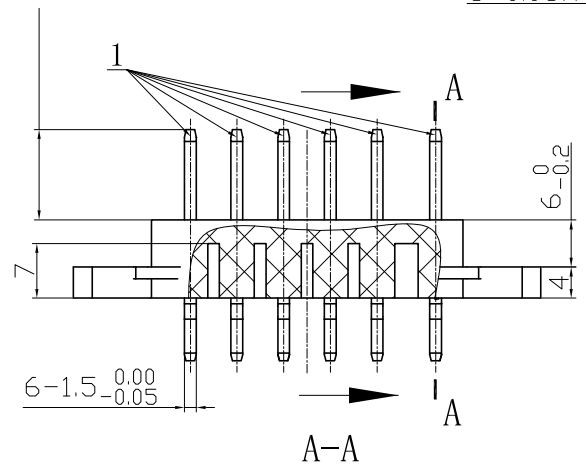
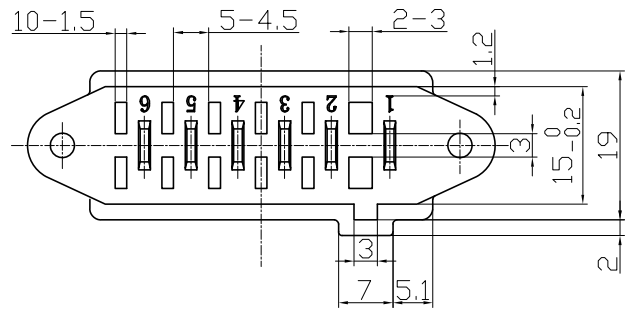
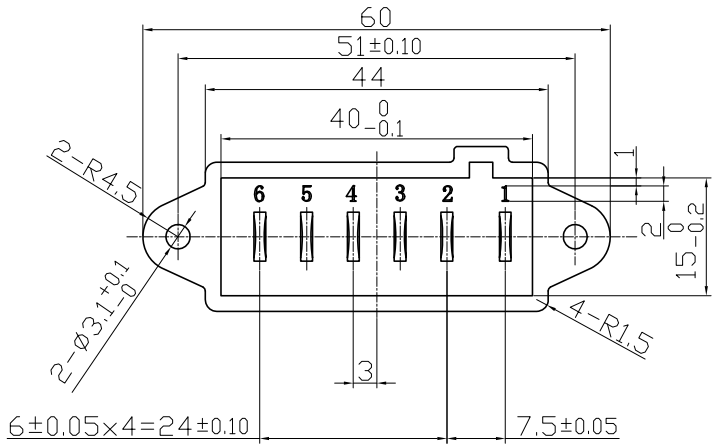
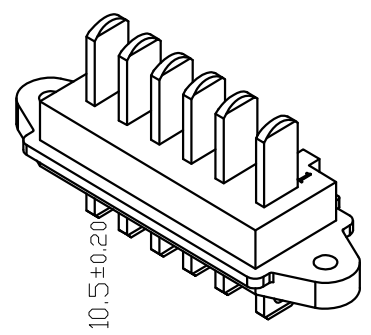


Rohs

受控文件

REV.	DESCRIPTION	DRAW.	DATE.



料号: SJ-K3060

Material:  
 Insulator : NYLON (UL94V-0)  
 Contact : Phosphor Bronze  
 Contact Plated : Nickel  
 Specification:  
 Current Rating : 15A  
 Voltage Rating : 24V  
 Contact Resistance : 100m Ω  
 Insulation Resistance : 500M Ω  
 Dielectric Voltage : 1500V  
 Operating Temperature : -25°~85°

**XB** 东莞市溪榜电子有限公司  
 DONG GUAN XI BANG ELECTRONICS CO., LTD.  
 SWITCH CONNECTOR  
 COPYRIGHT RESERVED, PLEASE DO NOT COPY.

REV:	01	物料: XB-B10-T6-L
SIZE:	A4	X. ±0.20
SCALE: 1:1	UNIT: mm	X.x ±0.15
SHEET: 1/1		X.xx ±0.10
		ANGULAR ±2°

TITLE:	刀式电池公座
PART NO:	XB-B10-T6-L

DESIGN	DATE
DRAWING	DATE
CHECK	DATE
SCALE 1:1	PAGE 1 OF 1