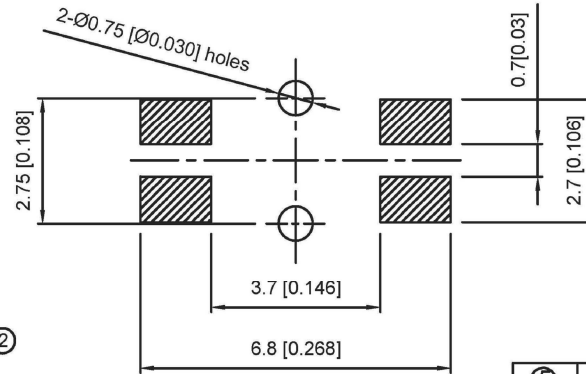
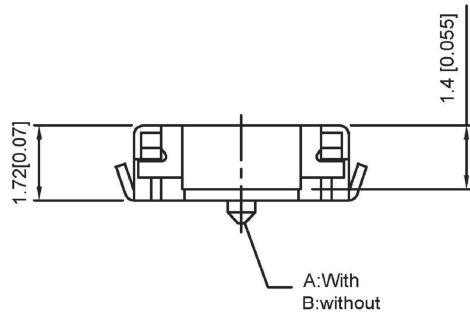


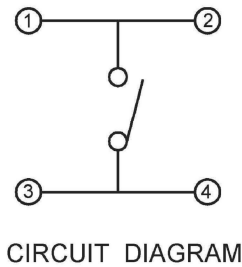
SPECIFICATION

Contact Rating: 50mA, 12V DC
 Contact Resistance: 100mΩ max
 Insulation Resistance: 100mΩ min. 500V DC
 Dielectric Strength: 250V AC/1minute
 Tracer: 0.20mm
 Operating Temp: -30°C ~ +85°C
 Storage Temp: -30°C ~ +80°C

PCB MOUNTING PATTERN DIMENSION



| | |
|-----------------|------------------|
| PAPT NO | TS-1186U-X-X |
| Operating Force | B:160gf C:260gf |
| Height | H:4.5 |
| Fixed column | A:With B:Without |



| ITEM | PAPT NAMF | TER,NO | QTY | MATERIAL | FINISHING | REMARK |
|------|-----------|--------|-----|---------------|-------------------|--------|
| ⑤ | Terminal | — | 4 | Brass (0.30t) | Plating silvering | —— |
| ④ | Contact | — | 1 | F.ag/Sus | Natural | —— |
| ③ | Base | — | 1 | Pa46 | | —— |
| ② | Cover | — | 1 | Brass | Plating Nickel | —— |
| ① | Keystake | — | 1 | Pa46 | | —— |

| | | | | | |
|--|------|---------|----------|------------------------|------|
| | | | | ANGLAR | ±5° |
| | | | | L ≤ 4 | ±0.2 |
| | | | | 4 < L ≤ 16 | ±0.3 |
| | | | | 16 < L ≤ 63 | ±0.4 |
| | | | | L > 63 | ±0.5 |
| | | | | UNSPECIFIED TOLERANCES | |
| | DATE | REVISED | APPROVED | | |



| | | | |
|------|--|-------------|-----------------------------------|
| DSND | | SCALE: N/A | MODEL TYPE: TACT SWITCH |
| DWN | | VIEW: | PART NO.: |
| CHKD | | UNIT: mm/in | DWG NO.: |
| APPD | | SIZE: A4 | TS-1186U-X-X |
| | | WEIGHT | SHEET |
| | | | REVISIC |
| | | 1/1 | A0 |