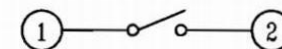
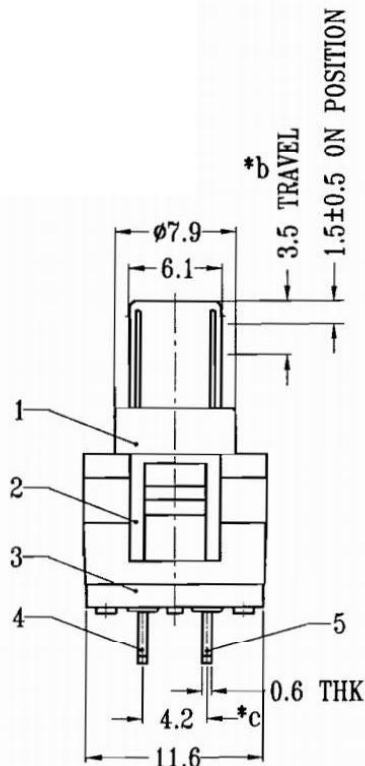
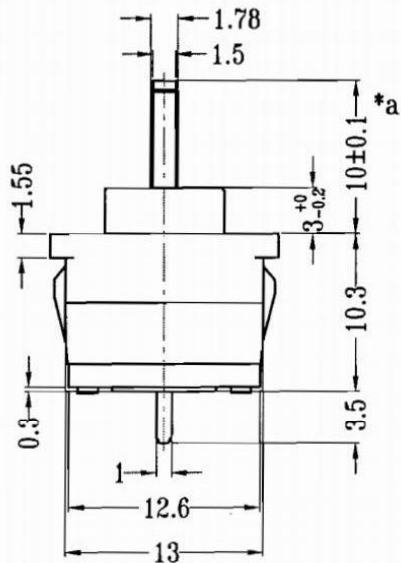
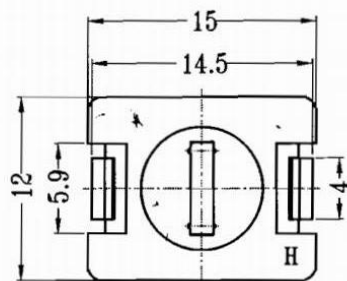
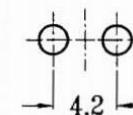


CAD FILE:



SCHEMATIC



P.C.B LAYOUT  
BOTTOM VIEW

注：“\*”表示关键尺寸(3个)

NO.	PARTS	MATERIALS	Q'TY	FINISH	TOLERANCE						
8					UNLESS SPECIFIED						
7	SPRING	SUS	1	NATURAL	WITHIN 1.5mm : ±0.1mm	A	07-Feb-2012	初版	<i>Man</i>		
6	CONTACT	BRASS	1	Au PLATED/Ag PLATED	OVER 1.5mm : ±0.2mm	ISSUE	DATE	DESCRIPTIONS OF REVISION	APPD.		
5	U-TERMINAL	BRASS STRIP	1	Ag PLATED OVER Ni PLATED	TITLE : VERTICAL PUSH SWITCH				UNIT : mm	DRWG NO.: XB-PB-11E02	
4	V-TERMINAL	BRASS STRIP	1	Ag PLATED OVER Ni PLATED					SCALE: 2:1	DWN.	李宁
3	CASE	NYLON+F.G	1	BLACK	MODEL: XB-PB-11E02				CHK'D	<i>陈丽冰</i>	07-Feb-2012
2	COVER	PC	1	BLACK					DONG GUAN XI BANG ELECTRONI CS CO., LTD.		
1	KNOB	POM	1	WHITE							