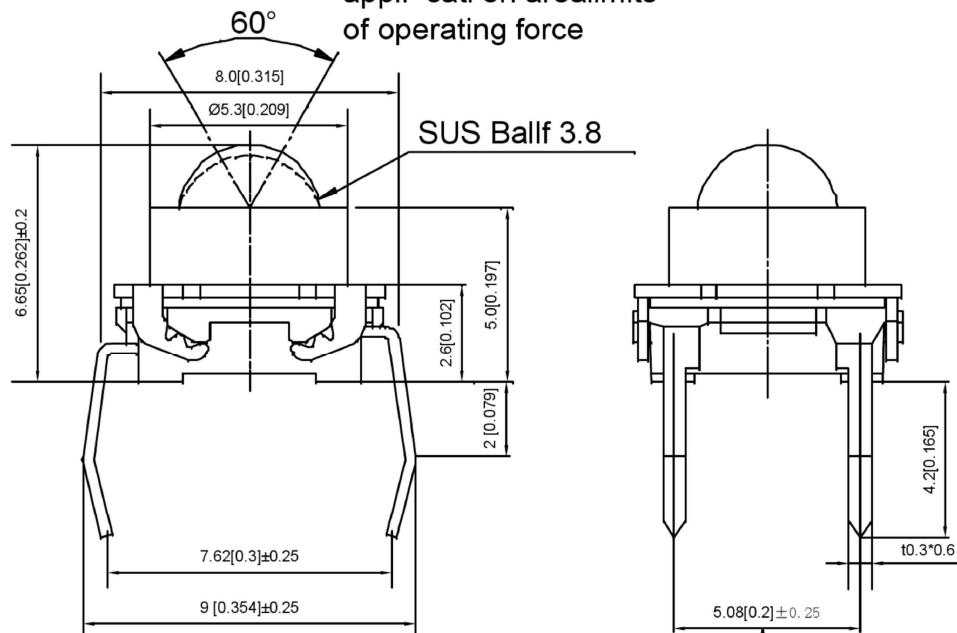
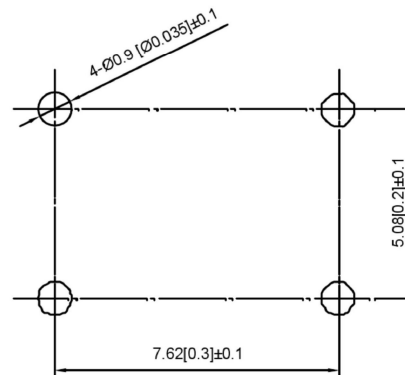


apli cati on arealimits
of operating force



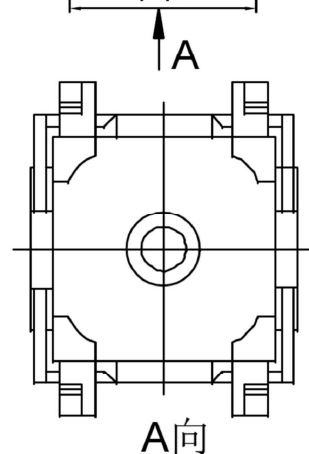
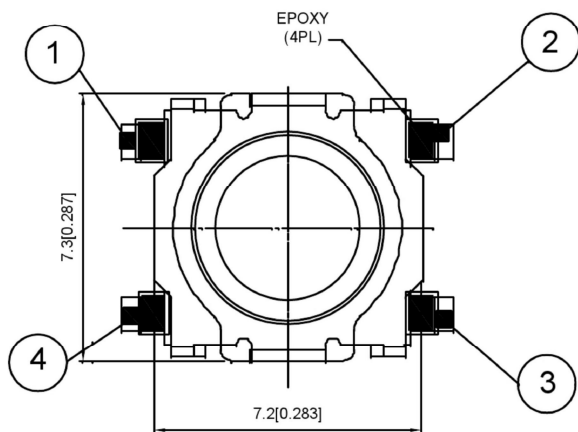
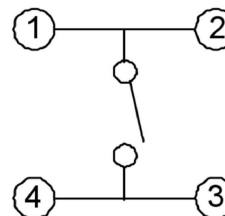
P.C.B Mounting
hole di mensi ous



SPECIFICATION

Contact Rating: 50mA, 12V DC
 Contact Resistance: 100mΩ max
 Insulation Resistance: 100mΩ min. 500V DC
 Dielectric Strength: 250V AC/1minute
 Travel: 0.35mm
 Operating Temp: -40°C ~ +90°C
 Storage Temp: -30°C ~ +80°C

Ctrcuit Diagram



| | |
|-----------------|----------------------------------|
| PAPT NO | TC-1110-X |
| Operating Force | A:130gf B: 200gf C:300gf D:500gf |
| Height | H:6.65 |
| | |
| | |

| ⑤ | Terminal | — | 4 | Brass (0.30t) | Plating silvering | — |
|------|-----------|--------|-----|---------------|-------------------|--------|
| ④ | Contact | — | 1 | F.ag/Sus | Natural | — |
| ③ | Base | — | 1 | PPA | | — |
| ② | Cover | — | 1 | Brass | Plating Nickel | — |
| ① | Keystake | — | 1 | Steel ball | | — |
| ITEM | PAPT NAMF | TER,NO | QTY | MATERIAL | FINISHING | REMARK |

| | | | | | |
|--|------|---------|----------|------------------------|------|
| | | | | ANGLAR | ±5° |
| | | | | L ≤ 4 | ±0.2 |
| | | | | 4 < L ≤ 16 | ±0.3 |
| | | | | 16 < L ≤ 63 | ±0.4 |
| | | | | L > 63 | ±0.5 |
| | DATE | REVISED | APPROVED | UNSPECIFIED TOLERANCES | |



| | | | |
|------|--|-------------|----------------------------|
| DSND | | SCALE: N/A | MODEL TYPE: TACT SWITCH |
| DWN | | VIEW: | PART NO.: TC-1110-X |
| CHKD | | UNIT: mm/in | DWG NO.: |
| APPD | | SIZE: A4 | |