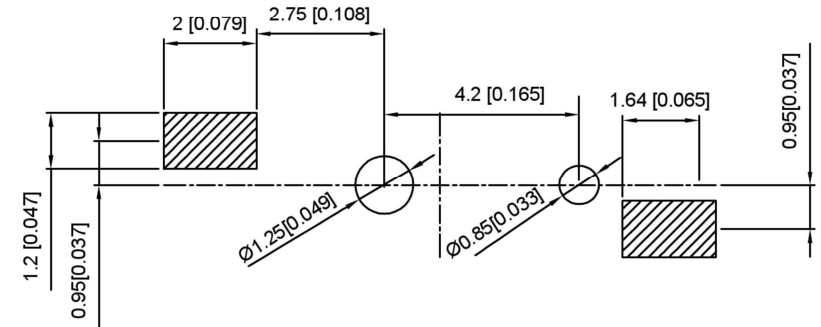
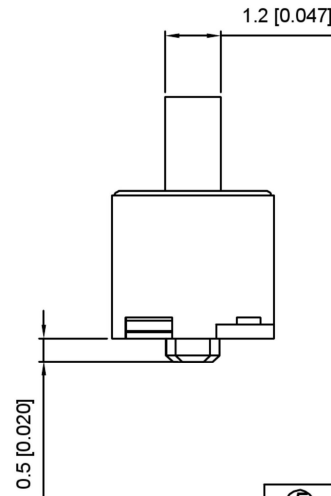
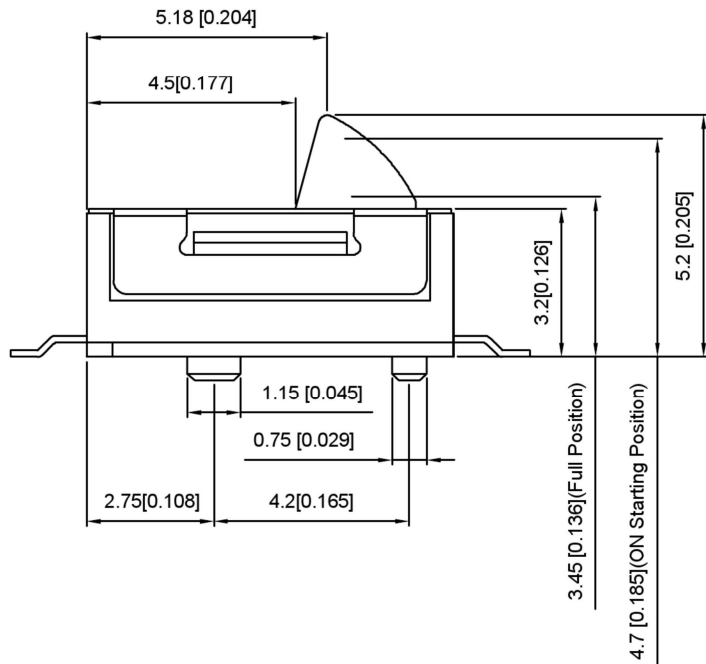
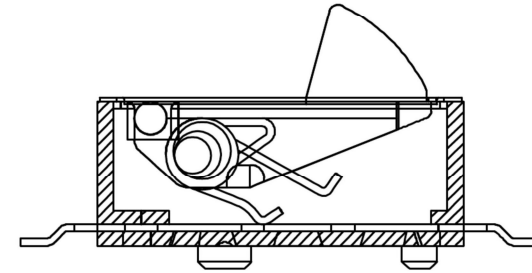


Circuit Diagram



PCB Layout (Pattern side)

⑤	Contact Spring	—	1	Phosphor Bronze	Plating silver	—
④	Terminal	—	2	Phosphor Bronze	Plating silver	—
③	Base	—	1	Lcp		—
②	Cover	—	1	Sus	Natural	—
①	Keystake	—	1	Nylon		—
ITEM	PAPT NAMF	TER,NO	QTY	MATERIAL	FINISHING	REMARK

				ANGULAR	±5°
				L ≤ 4	±0.2
				4 < L ≤ 16	±0.3
				16 < L ≤ 63	±0.4
				L > 63	±0.5
				UNSPECIFIED TOLERANCES	
	DATE	REVISED	APPROVED		



DSND		SCALE: N/A	MODEL TYPE: DETECT SWITCH
DWN		VIEW:	PART NO.: TM-8763
CHKD		UNIT: mm/in	DWG NO.:
APPD		SIZE: A4	