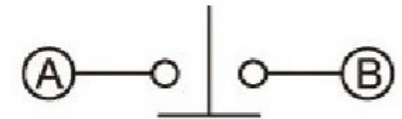
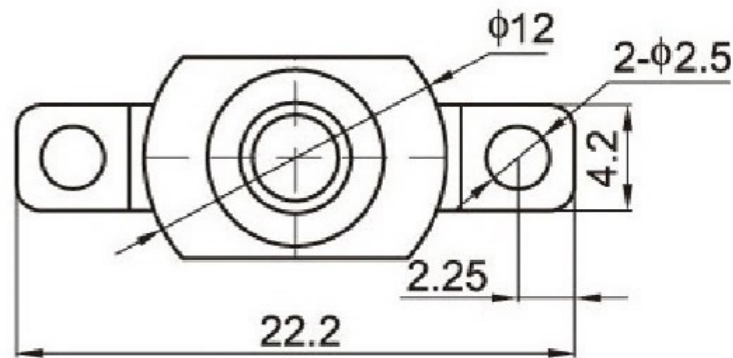


ON-OFF



电路简图

SCHEMATIC (NON-SHORTING)



注：“*”□表示关键尺寸(3个).

				TOLERANCE					
				UNLESS SPECIFIED					
				WITHIN 1.5mm : ±0.1mm	A	2012-8-13	初版		
				OVER 1.5mm : ±0.2mm	ISSUE	DATE	DESCRIPTIONS OF REVISION		APPD.
5	SPRING	SUS	1	NATURAL	TITLE : VERTICAL PUSH SWITCH		UNIT : mm	DRWG NO.:	
4	CAM STICK	SUS	1	NATURAL	MODEL:		SCALE: 5:1	DWN.	2012-8-13
3	CASE	PA66/BRASS STRIP	1	GREY/Ag PLATED	东莞市溪榜电子有限公司		CHK'D		2012-8-13
2	COVER	PA66	1	BLACK			APPD.		
1	KNOB	PA66/PBS C5210R-EH	1	WHITE/Ag CLAD					
NO.	PARTS	MATERIALS	Q'TY						