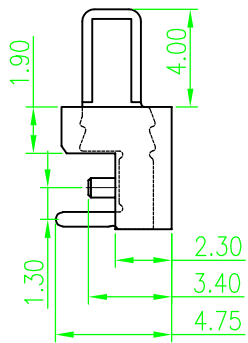
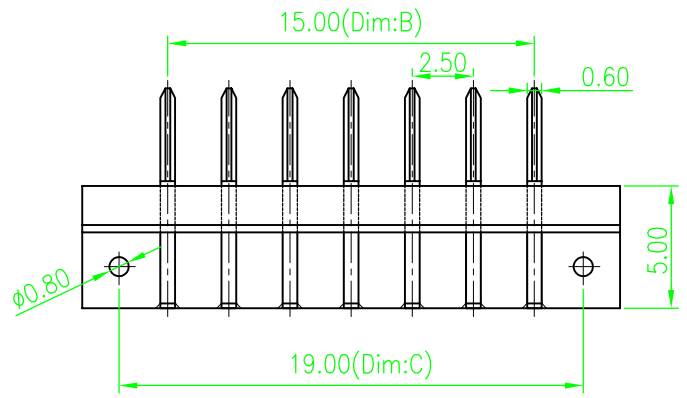
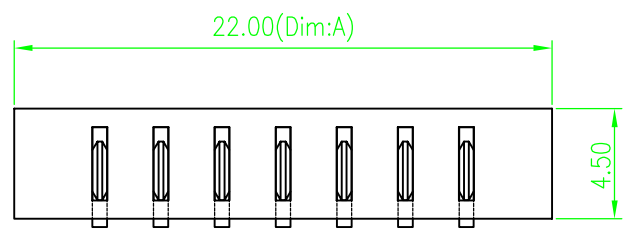


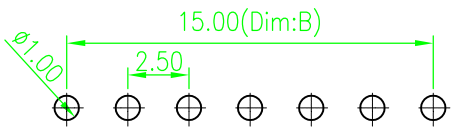
REV.	DESCRIPTION	DRAW.	DATE.
01	NEW DESIGN	Elih	2016.05.28

No:of pins	Dimension		
	DIM.A	DIM.B	DIM.C
03	12.00	5.00	9.00
04	14.50	7.50	11.50
05	17.00	10.00	14.00
06	19.50	12.50	16.50
07	22.00	15.00	19.00
08	24.50	17.50	21.50
09	27.00	20.00	24.00
10	29.50	22.50	26.50



NOTE:

1. MATERIAL:
 - 1.1 HOUSING: PA9T, UL 94V-0
 - 1.2 TERMINAL: C2680
2. FINISH:
 - 2.1 Plated: Gold over Nickel or Tin
3. PRODUCT SPECIFICATION
 - 3.1 CURRENT RATING :7A
 - 3.2 VOLTAGE RATING : 125V AC
 - 3.3 DIELECTRIC WITHSTANDING VOLTAGE:500VAC
 - 3.4 INSULATION RESISTANCE: 100MΩ min.
 - 3.5 CONTACT RESISTANCE: 30mΩ Max.
 - 3.6 Operating Temperature: -40° ~105°



Recommended P.C.B Layout
Layout Tolerance=+/-0.05mm

XB 东莞市溪榜电子有限公司
DONG GUAN XI BANG ELECTRONICS CO., LTD.

UNLESS OTHERWISE SPECIFIED, TOLERANCE: X. ±0.30 X.x ±0.20 X.xx ±0.15 ANGULAR ±2°	DESIGN	Elih	DATE	2016.05.28	TITLE: Battery 90° 2.5mm Pitches Male Connector	
	APPROVED		DATE			
	PART NO	XB-B09M-R10-C	REV:	01	SCALE: 1:1	UNIT: mm
	DRAWING NO	XB-B09M-R-2P/10P	SIZE:	A4	SHEET: 1/1	