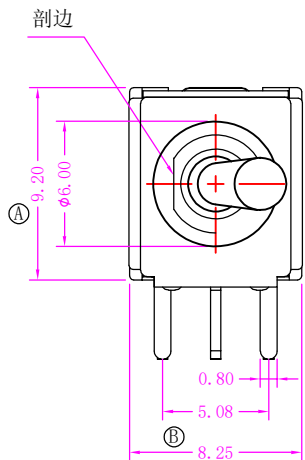


PCB安装孔尺寸



标注: ①- ⑧尺寸的重点检验尺寸

手柄位置及导通端子示意图

Model NO.	POS. 1	POS. 2
202	ON	ON
SCHMATIC		

Technical characteristics

SPECIFICATION: 3 A max. @ 125 VAC.
 1.5 A max. @ 250 VAC.
 MECHANICAL LIFE: 40,000 make-and-break cycles.
 CONTACT RESISTANCE: 20mΩ max. initial @2-4VDC
 100mA for both silver.
 INSULATION RESISTANCE: 1000 MΩ min.
 DIELECTRIC STRENGTH: 1000 VAC min.
 OPERATING TEMPERATURE: -30°C to +85°C.

Materials

CASE: PPA (UL 94V-0)
 HOUSING: Stainless Steel.
 ACTUATOR: Alloy, chrome plated.
 BUSHING: Alloy, nickel plated.
 CONTACT/TERMINALS: Copper alloy silver plated.
RoHS

东莞市溪榜电子有限公司
 DONG GUAN XI BANG ELECTRONICS CO., LTD.

				公差 TOLERANCES		.X± 0.4 .XX± 0.25		角度 ± 5°		UNIT 单位 mm	SCALE 1:1	
				版本 VERSION	A0	比例尺 SCALE	NONE	日期 DATE	2021. 9. 9	TITLE 图名	Sub-Miniature Toggle Switch	
				核准		核对		绘图		DWG NO. 料号		
版本 VER.	变更说明 CHANGE DESCRIPTION	日期 DATE	ECN NO.	APPROVED BY		CHECKED BY		DRAWN BY	WSL	PART NO. 型号	XB-ST-0-202-A03-N003-RS	