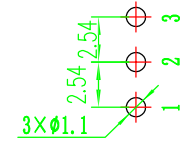
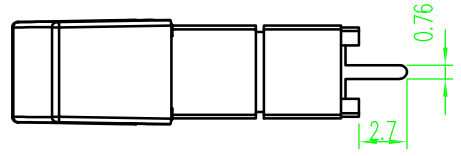
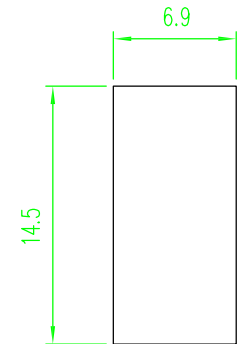
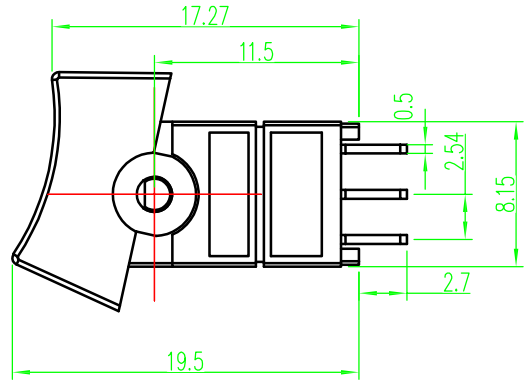
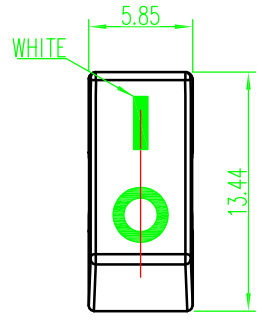


REV	DESCRIPTION	DESIGNER	DATE
-----	-------------	----------	------

自由公差		
区分	类别	公差
0	<0.5	±0.10
0.50	<5	±0.15
5.0	<10	±0.20
10.0	<20	±0.30
20.0	<50	±0.40
未标注R角		R0.2
未标注角度公差		±1°



RECOMMENDED PCB LAYOUT



PANEL MOUNTING

SWITCH FUNCTION

Model NO.	POS.1	POS.2	POS.3
102	ON	NONE	ON
SCHEMATIC		NONE	

SPECIFICATION

1. RATING: 3A 125VAC; 1A 250VAC
2. CIRCUIT CRAIT: ON-ON SPDT 3P
3. CONTACT RESISTANCE: 20mΩ Max
4. INSULATION RESISTANCE: DC500V 1000MΩ Min
5. WITHSTAND VOLTAGE: AC 1000V 1 Minute
6. ELECTRICAL LIFE: 10000 Cycles at Full Load
7. OPERATION TEMPERATURE RANGE: -25~+85° C

NO	NAME	MATERIAL	QTY	FINISHING	NO	NAME	MATERIAL	QTY	FINISHING
1	按钮	PA66	1	黑色	7				
2	底座	PPA	1	黑色	8				
3	弹簧	碳钢	1	本色	9				
4	滑柱	PA46	1	黑色	10				
5	端子	H65	3	镀银	11				
6	切换片	H65	1	镀银	12				

SCALE	1:1		UNIT: mm
CKD		DWN	单世佳
APVD		DATE	2017-10-12

SPECIFICATION NO.	
TITLE	Miniature Rocker And Lever Switch
PART NO.	XB-SA-0-102-C02-0200-RS
MATERIAL NO.	

XB 东莞市溪榜电子有限公司
DONG GUAN XI BANG ELECTRONICS CO., LTD.