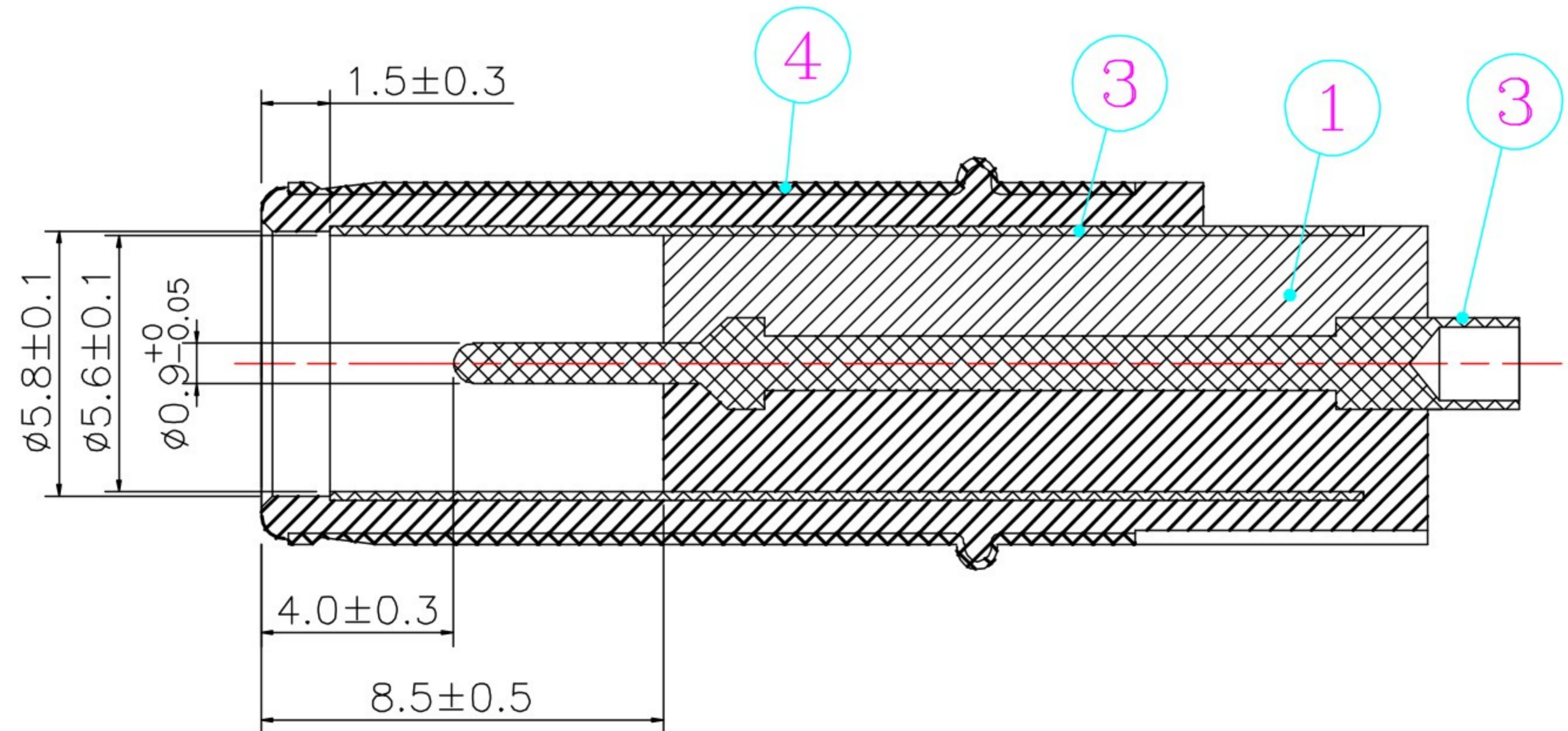
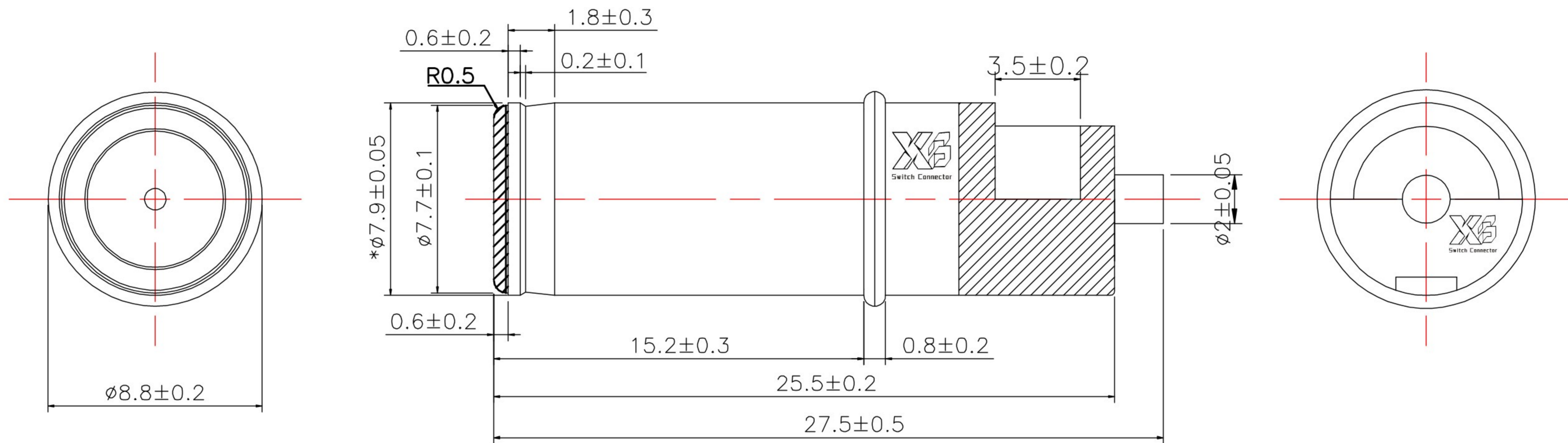


ROHS

| | | | | | |
|-----------|-----------------|------------------------|-----------------------|------------|------------|
| 版本 REV | 修正标记 REV.LTR | 修正前 BEFORE REVISION | 修正后 AFTER REVISION | 签名 SIGN | 日期 DATE |
| V1.0 | | 新版制定 | | June | 20180917 |
| | | | | | |



Technology Request:

- 1.Outlook:
No burr, no hurt.
- 2.Electronic performance:
a:Insulation resistance:
Above DC500V/100MΩ;
b:Endure voltage:
AC500V at 1 minute;
c>Contact resistance:
Under 30mΩ;
- 3.Insertion force & withdrawal force:
0.3-3kgf.
- 4.Salt spray test:24H.
- 5.Meet RoHS.
- 6.Remark * is important specification.

| | | | | | | |
|------------------------------|-----|-------------------------------|-----|-------------------|----------|----------------|
| 单位 Unit | mm | 一般公差 The general tolerance | 7 | | | |
| 比例 Scale | 5:1 | xx.:±0.3 | 6 | | | |
| 视图 Third angle projection | | x.x:±0.1 | 5 | | | |
| | | .xx:±0.05 | 4 | 7.9*8.8*18.5挤环车沟管 | H65 | Ni 1~5um |
| | | | 3 | 6*22.6*0.2直管 | H65 | Ni 1~5um |
| | | | 2 | 0.6*2*23.3针AU | C3604 | Ni 1~3um/Au1u" |
| | | | 1 | PLASTIC | PBT | BLACK |
| | | | NO. | PART | MATERIAL | PLATING |

| | | |
|-------------------|------------------|----------------|
| 核准 APPROVED BY | 校对 CHECKED BY | 制图 DRAWN BY |
| June | 杨义邦 | 李莹峰 |

XB 东莞市溪榜电子有限公司
Switch Connector DONG GUAN XI BANG ELECTRONICS CO., LTD.

| | |
|-----------------|---|
| 规格 DESCRIPTION: | DC PLUG $\phi 7.9 \times 0.9 \times 27.5$ |
| 品名 P/N: | 79P09CV275针G |
| 图号 DRAWN NO: | CP-08-0022 |