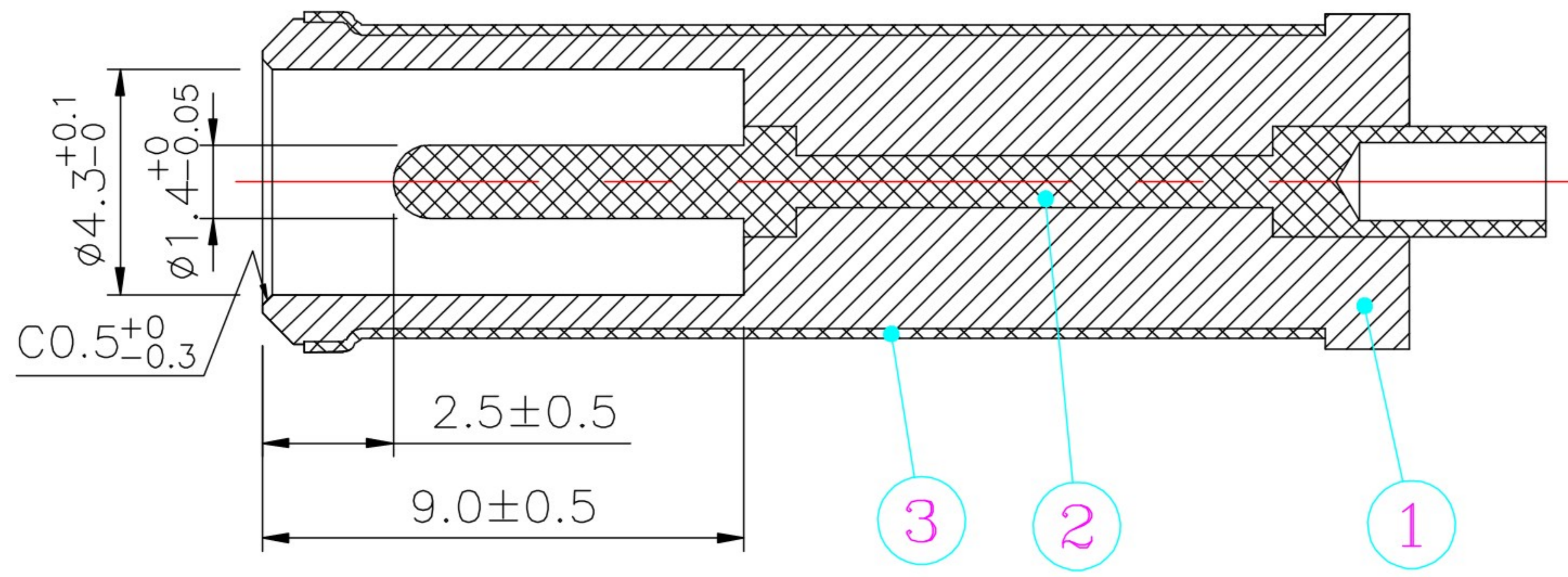
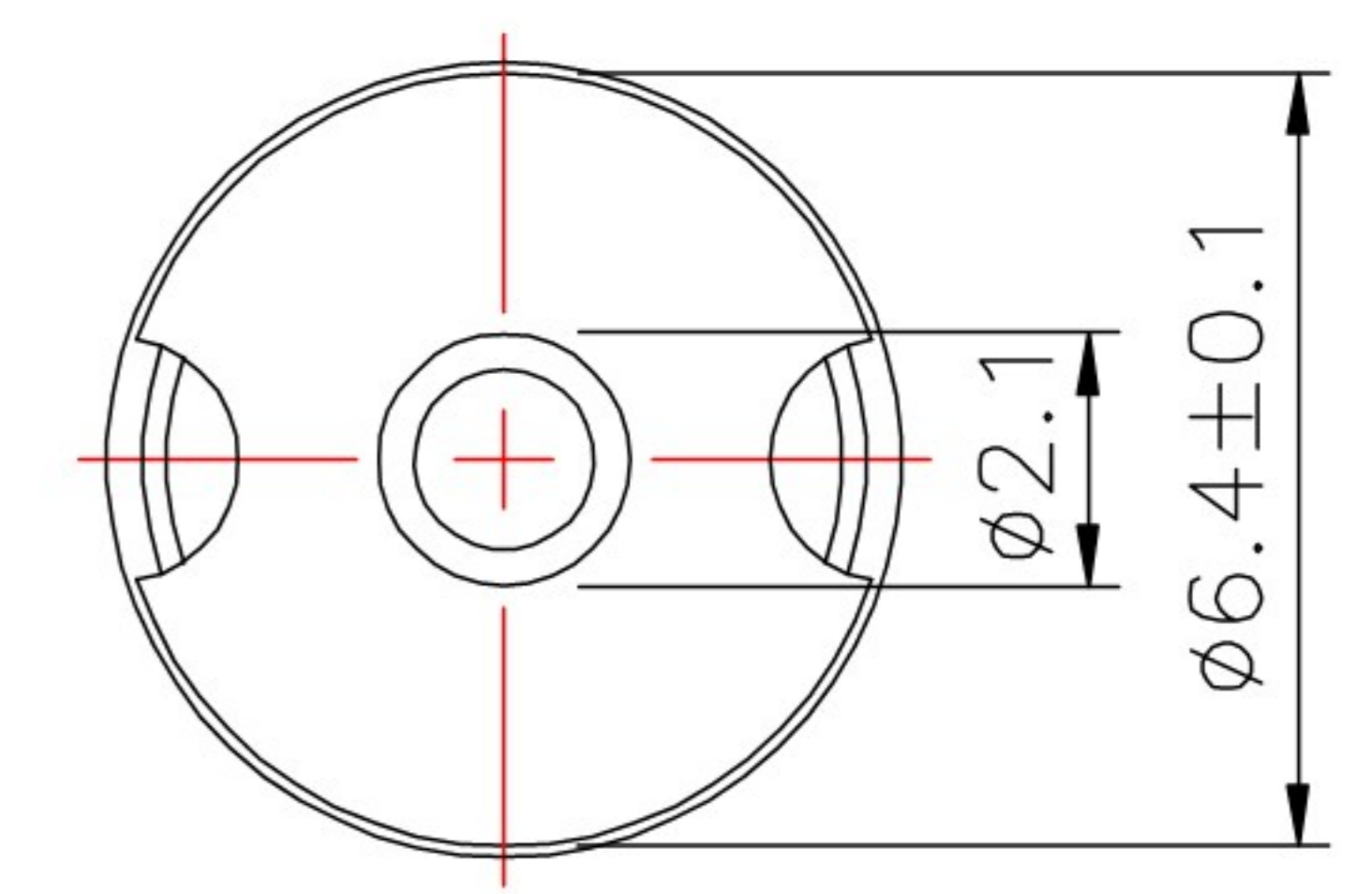
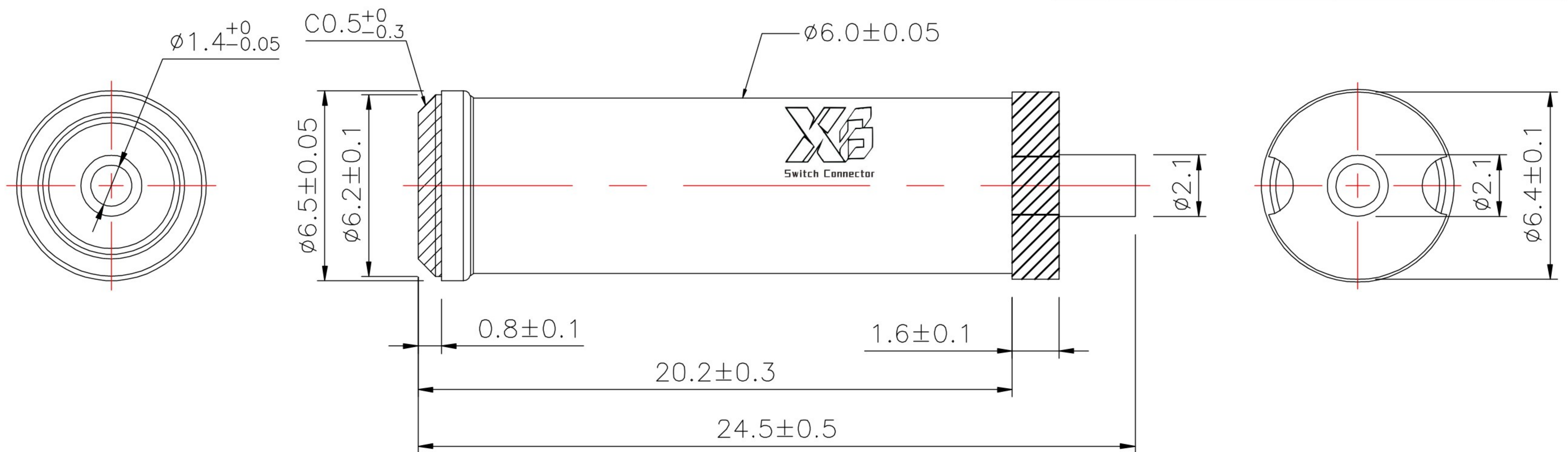


ROHS

|           |                 |                        |                       |            |            |
|-----------|-----------------|------------------------|-----------------------|------------|------------|
| 版本<br>REV | 修正标记<br>REV.LTR | 修正前<br>BEFORE REVISION | 修正后<br>AFTER REVISION | 签名<br>SIGN | 日期<br>DATE |
| V1.0      |                 | 新版制定                   |                       | June       | 20180917   |
|           |                 |                        |                       |            |            |
|           |                 |                        |                       |            |            |



- Technology Request:
- 1.Outlook: No burr, no hurt.
  - 2.Electronic performance:
    - a:Insulation resistance:  
Above DC500V/100MΩ;
    - b:Endure voltage:  
AC500V at 1 minute;
    - c>Contact resistance:  
Under 30mΩ;
  - 3.Insertion force & withdrawal force:  
0.3–3kgf.
  - 4.Salt spray test:24H.
  - 5.Meet RoHS.
  - 6.Remark \* is important specification.

|                              |     |                               |     |               |          |            |
|------------------------------|-----|-------------------------------|-----|---------------|----------|------------|
| 单位<br>Unit                   | mm  | 一般公差<br>The general tolerance | 7   |               |          |            |
|                              |     |                               | 6   |               |          |            |
| 比例<br>Scale                  | 5:1 | xx.:±0.3                      | 5   |               |          |            |
|                              |     |                               | 4   |               |          |            |
| 视图<br>Third angle projection |     | x.x:±0.1                      | 3   | 6.5*6*19.5扩口管 | H65      | Ni 40~120μ |
|                              |     | .xx:±0.05                     | 2   | 1.4*2.1*22针   | C3604    | Ni 40~120μ |
|                              |     |                               | 1   | PLASTIC       | PBT      | BLACK      |
|                              |     |                               | NO. | PART          | MATERIAL | PLATING    |

|                   |                  |                |
|-------------------|------------------|----------------|
| 核准<br>APPROVED BY | 校对<br>CHECKED BY | 制图<br>DRAWN BY |
| June              | 杨义邦              | 李莹峰            |

|   |                        |
|---|------------------------|
| <b>东莞市溪榜电子有限公司</b><br>DONG GUAN XI BANG ELECTRONICS CO., LTD. |                        |
| 规格 DESCRIPTION:   | DC PLUG φ6.5*φ1.4*24.5 |
| 品名 P/N:   | 65P14C245              |
| 图号 DRAWN NO:  | CP-08-0013             |