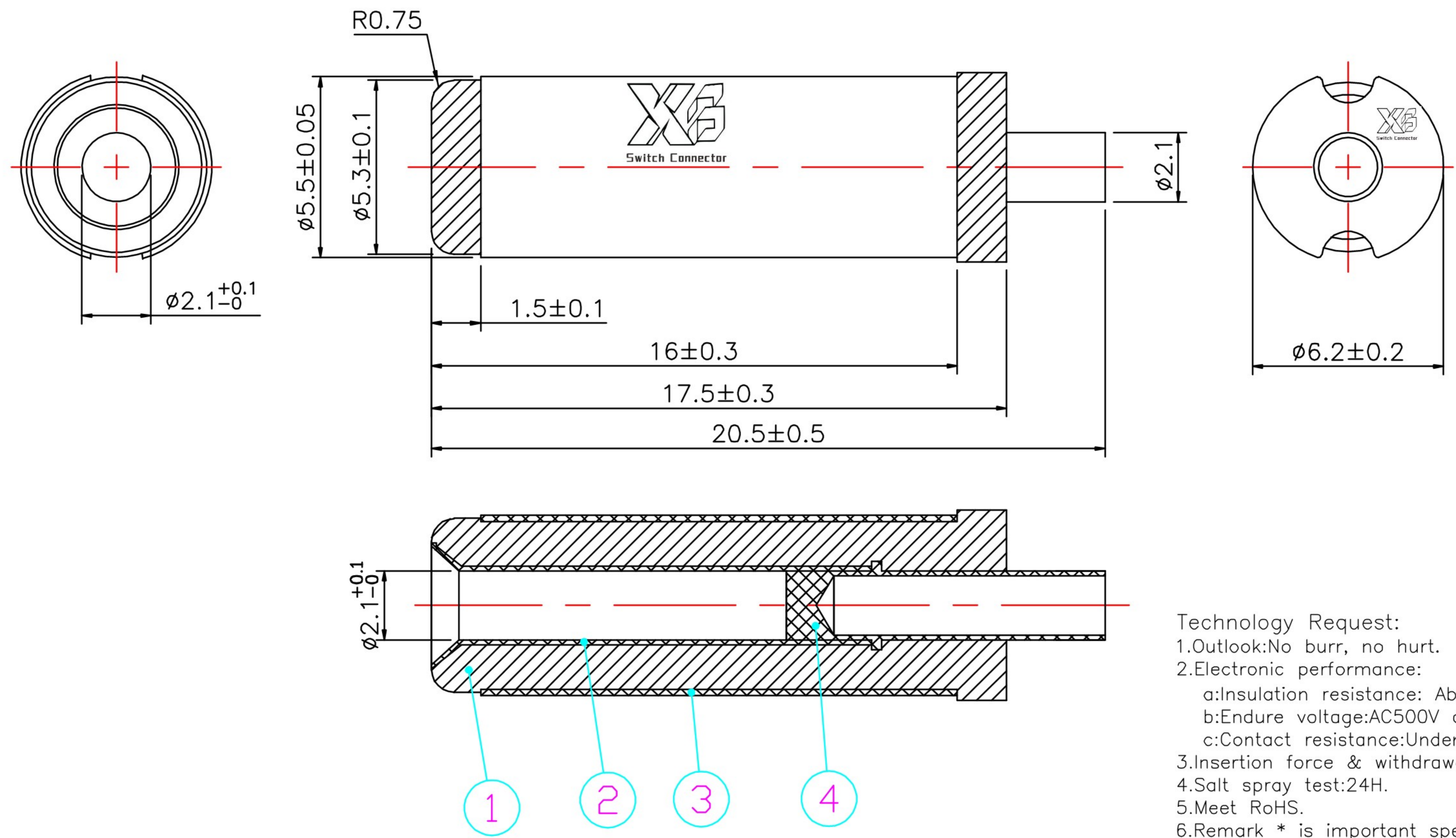


ROHS

版本 REV	修正标记 REV.LTR	修正前 BEFORE REVISION	修正后 AFTER REVISION	签名 SIGN	日期 DATE
V1.0		新版制定		June	20180917



Technology Request:
 1.Outlook:No burr, no hurt.
 2.Electronic performance:
 a:Insulation resistance: Above DC500V/100MΩ;
 b:Endure voltage:AC500V at 1 minute;
 c>Contact resistance:Under 30mΩ;
 3.Insertion force & withdrawal force:0.3–3kgf.
 4.Salt spray test:24H.
 5.Meet RoHS.
 6.Remark * is important specification.

单位 Unit	mm	一般公差 The general tolerance	7			核准 APPROVED BY	校对 CHECKED BY	制图 DRAWN BY	 东莞市溪榜电子有限公司 DONG GUAN XI BANG ELECTRONICS CO., LTD.		
比例 Scale	5:1	xx.:±0.3	5			June	杨义邦	李莹峰		规格 DESCRIPTION:	DC PLUG $\phi 5.5 \times \phi 2.1 \times 20.5$
视图 Third angle projection		x.x:±0.1	4	后心轴	C2680				Ni 1–3um	品名 P/N:	5521CR205
		.xx:±0.05	3	5.48*14.5直管	H65				Ni 1–3um	图号 DRAWN NO:	CP-02-0015
			2	2.1喇叭口	C2680				Ni 1–3um		
			1	PLASTIC	ABS				BLACK		
			NO.	PART	MATERIAL	PLATING					