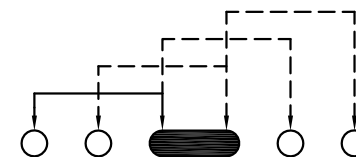
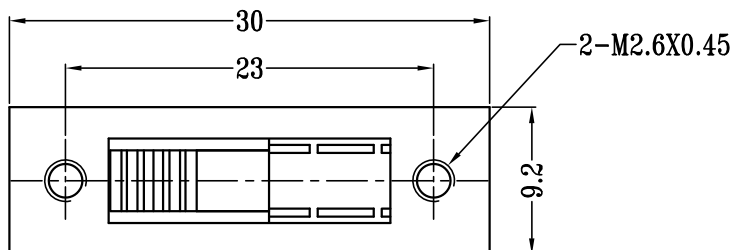
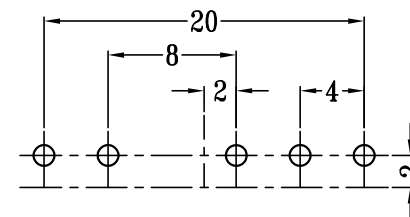
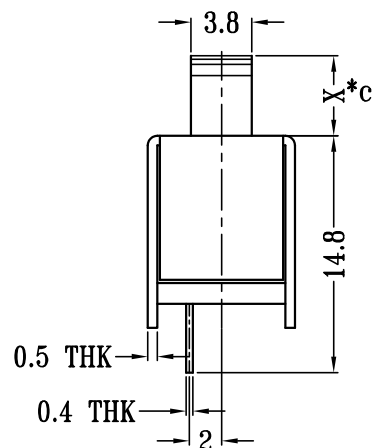
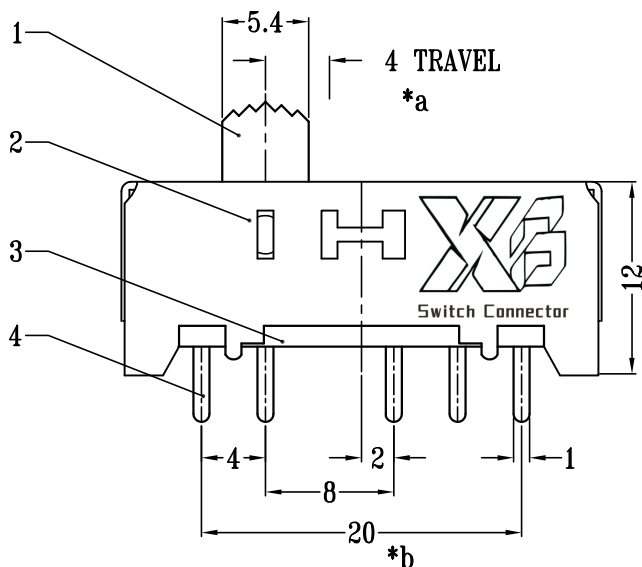


CAD FILE:



SCHEMATIC (SHORTING)



P.C.B. LAYOUT  
BOTTOM VIEW

注: "\*"表示关键尺寸(3个)

NO.	PARTS	MATERIALS	Q'TY	FINISH	TOLERANCE					
8					UNLESS SPECIFIED					
7	CONTACT CLIP	PBS STRIP	1	Ag PLATED	WITHIN 1.5mm : ±0.1mm	A	2012-9-27	初版	曾鹏	
6	SPRING	STEEL WIRE	1	NATURAL	OVER 1.5mm : ±0.2mm	ISSUE	DATE	DESCRIPTIONS OF REVISION	APPD.	
5	STEEL BALL	STEEL	2	NATURAL	TITLE : VERTICAL SLIDE SWITCH		UNIT : mm	DRWG NO.: XB-SS-14H03		
4	TERMINAL	BRASS STRIP	5	Ag PLATED	MODEL: XB-SS-14H03		SCALE: 2:1	DWN.	张俊	2012-9-27
3	BASE	PHENOLIC RESIN	1	NATURAL	<b>东莞市溪榜电子有限公司</b> DONG GUAN XI BANG ELECTRONI CS CO., LTD.			CHK'D	黄锦效	2012-9-27
2	FRAME	STEEL STRIP	1	Ni PLATED				APPD.	曾鹏	2012-9-27
1	NOB	POM	1	BLACK						