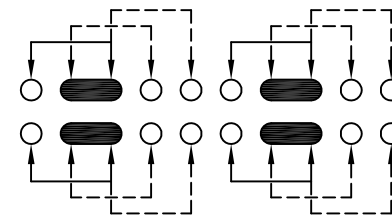
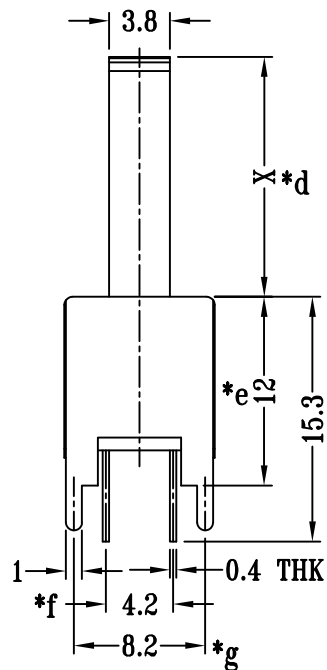
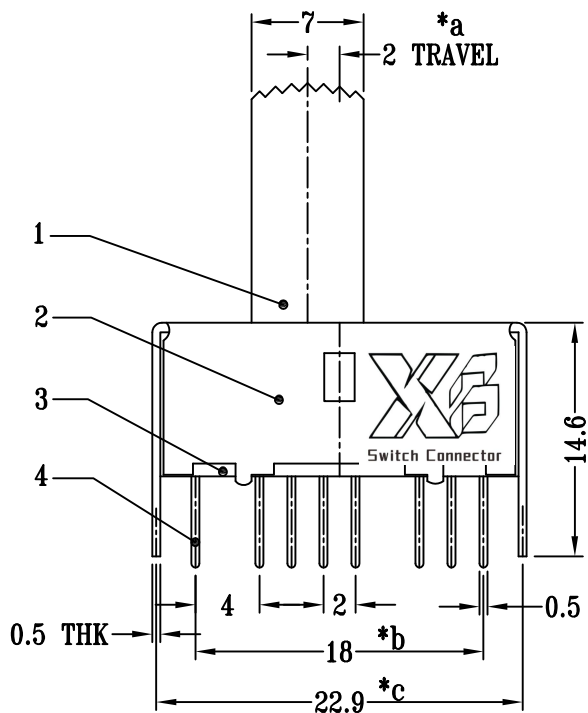
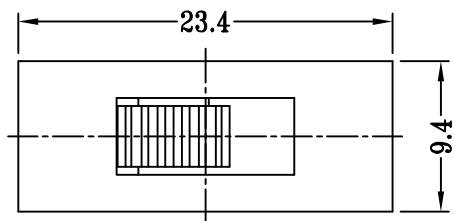
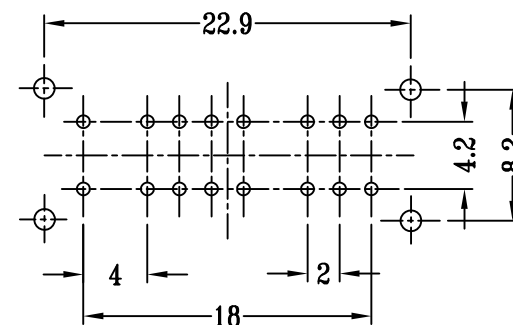


CAD FILE:



SCHMATIC (SHORTING)



**P.C.B LAYOUT
BOTTOM VIEW**

注：“*”□表示关键尺寸(7个)。

NO.	PARTS	MATERIALS	Q'TY	FINISH	TOLERANCE UNLESS SPECIFIED		TITLE : VERTICAL SLIDE SWITCH		UNIT : MM	DRWG NO.: XB-SS-43D03	
8					WITHIN: 1.5±0.1mm	A	2013-06-28	初版		曾鹏	
7	STEEL BALL	STEEL	2	NATURAL	OVER: 1.5±0.2mm	ISSUE	DATE	DESCRIPTIONS		APPD.	
6	SPRING	STEEL WIRE	1	NATURAL							
5	CONTACT CLIP	PBS STRIP	4	Ag CLAD							
4	TERMINAL	BRASS STRIP	16	Ag PLATED							
3	BASE	PHENOLIC RESIN	1	NATURAL							
2	FRAME	STEEL STRIP	1	Ni PLATED							
1	KNOB	POM	1	BLACK							
					东莞市溪榜电子有限公司 DONG GUAN XI BANG ELECTRONICS CO., LTD.			SCALE: 2:1	CHK'D	张俊	2013-06-28
								APPD.	曾鹏	2013-06-28	