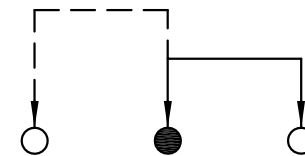
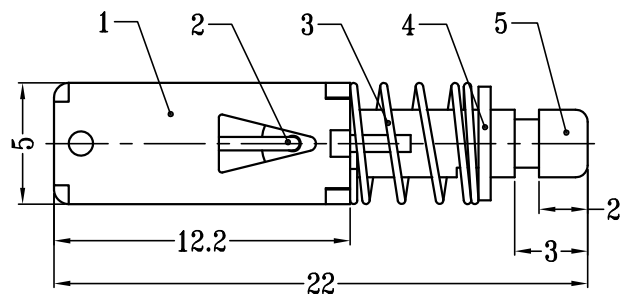
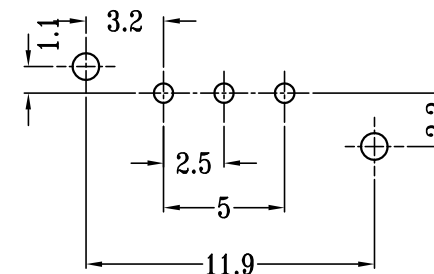
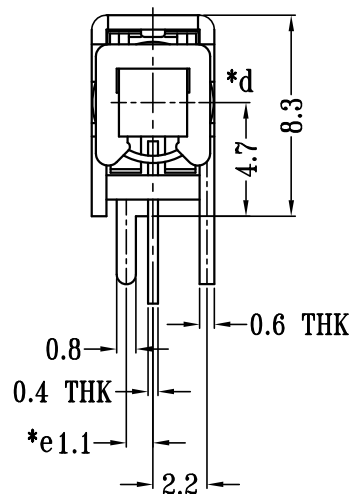
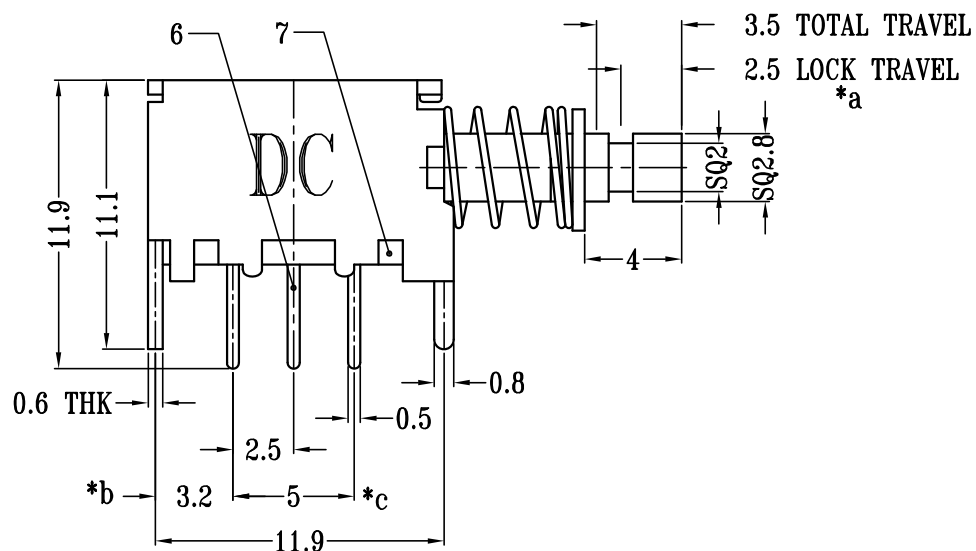


CAD FILE:



SCHEMATIC (NON-SHORTING)



P.C.B LAYOUT  
BOTTOM VIEW

注: "\*"表示关键尺寸(5个).

9	CONTACT CLIP	PBS C5210R-EH	1	Ag CLAD	TOLERANCE UNLESS SPECIFIED	A	2012-8-22	初版	曾鹏	
8	SPRING PLATE	PBS STRIP	1	NATURAL						
7	BASE	PHENOLIC RESIN	1	NATURAL	WITHIN 1.5mm : ±0.1mm	ISSUE	DATE	DESCRIPTIONS OF REVISION	APPD.	
6	TERMINAL	BRASS STRIP	3	Ag PLATED	OVER 1.5mm : ±0.2mm					
5	KNOB	PA66	1	BLUE	TITLE : PUSH SWITCH		UNIT : mm	DRWG NO.: XB-PS-12E05		
4	BLOCK	STEEL STRIP	1	Ni PLATED	MODEL: XB-PS-12E05		SCALE: 3:1	DWN.	张俊	2012-8-22
3	SPRING	STEEL WIRE	1	Ni PLATED	<b>东莞市溪榜电子有限公司</b> DONG GUAN XI BANG ELECTRONI CS CO., LTD.		CHK'D		黄锦效	2012-8-22
2	CAM STICK	PBS WIRE	1	NATURAL			APPD.		曾鹏	
1	FRAME	STEEL STRIP	1	Ni PLATED						
NO.	PARTS	MATERIALS	Q'TY	FINISHING						