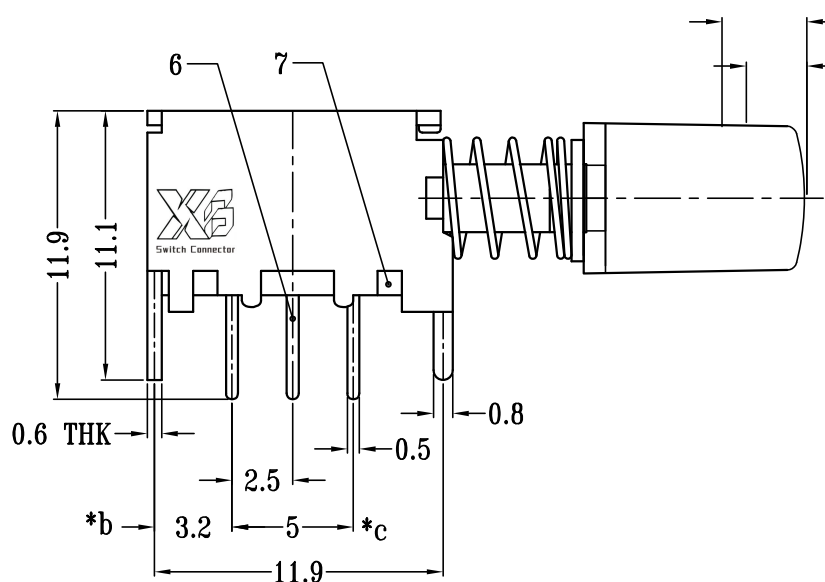
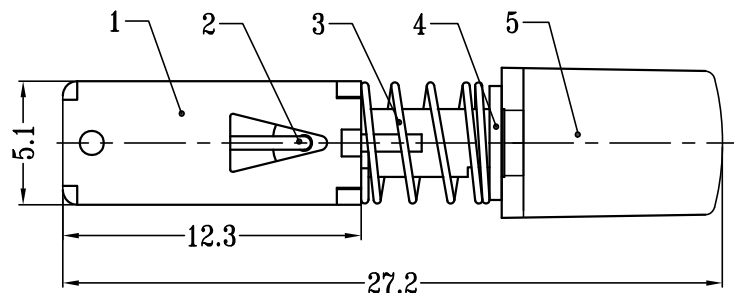
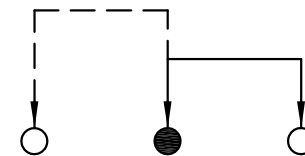
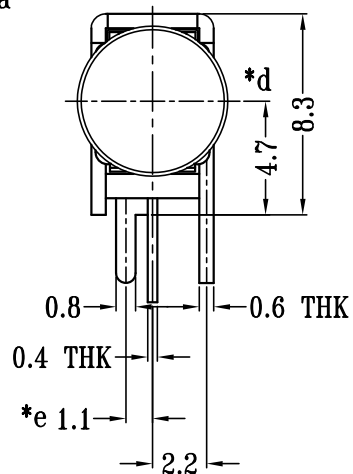


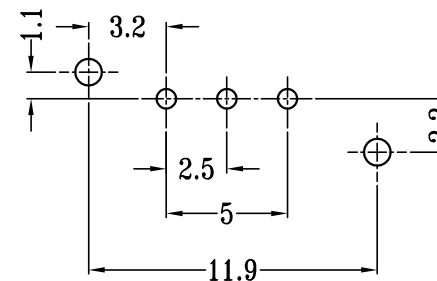
CAD FILE:



3.5 TOTAL TRAVEL
2.5 LOCK TRAVEL
*a



SCHEMATIC (NON-SHORTING)



P.C.B LAYOUT
BOTTOM VIEW

10	KNOB	PA66	1	BLUE
9	CONTACT CLIP	PBS C5210R-EH	1	Ag CLAD
8	SPRING PLATE	PBS STRIP	1	NATURAL
7	BASE	PHENOLIC RESIN	1	NATURAL
6	TERMINAL	BRASS STRIP	3	Ag PLATED
5	SLEEVE	PA66	1	BLACK
4	BLOCK	STEEL STRIP	1	Ni PLATED
3	SPRING	STEEL WIRE	1	Ni PLATED
2	CAM STICK	PBS WIRE	1	NATURAL
1	FRAME	STEEL STRIP	1	Ni PLATED
NO.	PARTS	MATERIALS	Q'TY	FINISHING

注: "*"表示关键尺寸(5个).

TOLERANCE UNLESS SPECIFIED				
WITHIN 1.5mm : ±0.1mm	A	2012-8-22	初版	
OVER 1.5mm : ±0.2mm	ISSUE	DATE	DESCRIPTIONS OF REVISION	APPD.
TITLE : PUSH SWITCH		UNIT : mm	DRWG NO.: XB-PBS-12E05-06B	
MODEL: XB-PBS-12E05-06B		SCALE: 3:1	DWN.	
东莞市溪榜电子有限公司 DONG GUAN XI BANG ELECTRONICS CO., LTD.		CHK'D		
		APPD.		