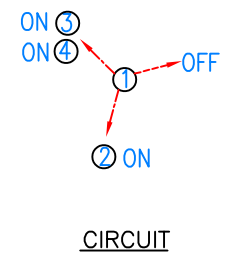
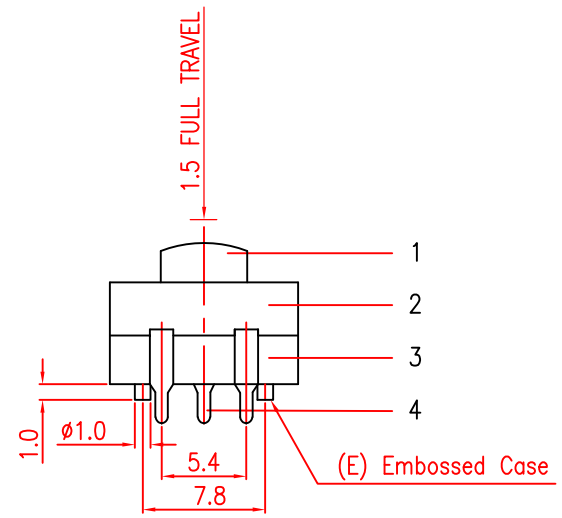
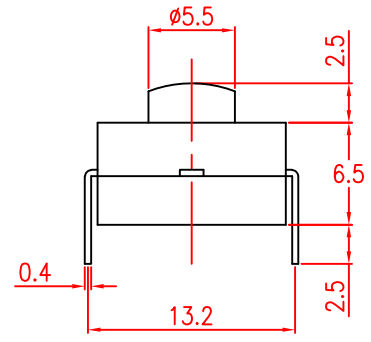
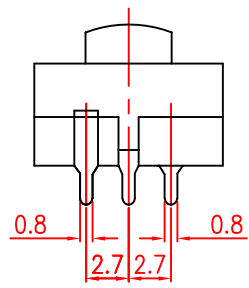
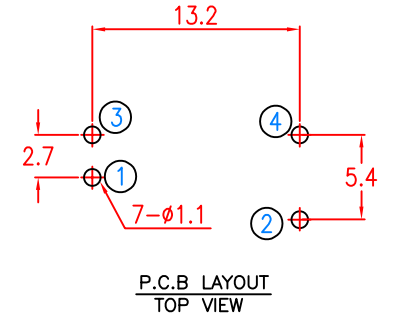
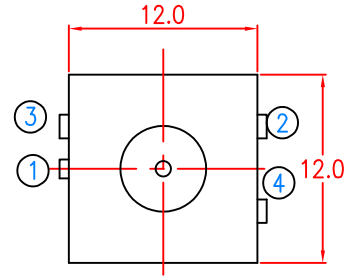


REVISION A RoHS compliant

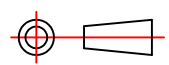
SYMB	REVISION	DATE	APVD.

Part Number	Case
XB-TPS-13D14	Without Embossed
XB-TPS-13D14-E	With Embossed



TITLE	TORCH SWITCH	DRAWN	L.Liu	TOLERANCE OTHERWISE UNLESS SPECIFIED	8					
PART NO.	XB-TPS-13D14	CHECKED	G.C.Chen	UP TO 5	±0.2	6				
DRAW NO.	P266	APPROVED	H.K.Lai	ABOVE 5 ~ 30	±0.3	5				
SCALE	2:1	UNIT	mm	DATE	11-01-2012	4	TERMINAL	BRASS STRIP	4	Ag PLATED
						3	HOUSING	POM	1	BLACK
						2	COVER	POM	1	BLACK
				1	KNOB	POM		1	BLACK	
				NO.	PARTS	MATERIAL		QTY.	FINISHING	

XGB 东莞市溪榜电子有限公司
DONG GUAN XI BANG ELECTRONICS CO., LTD.



Copyright Reserved, Please Do Not Copy. 版权所有, 不得翻印.