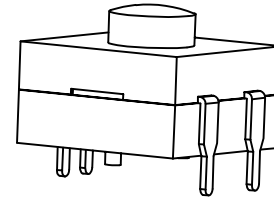
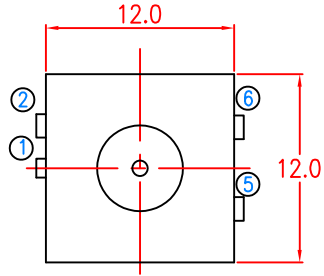


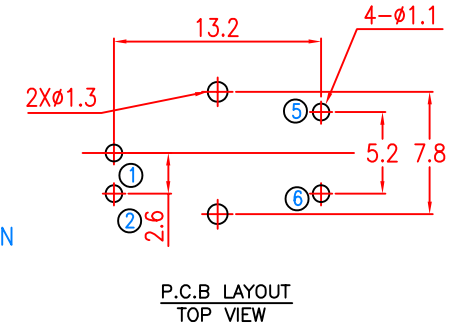
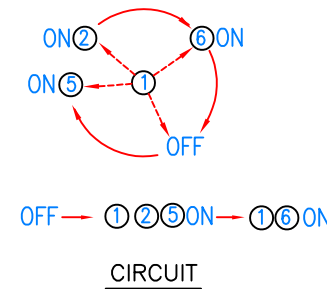
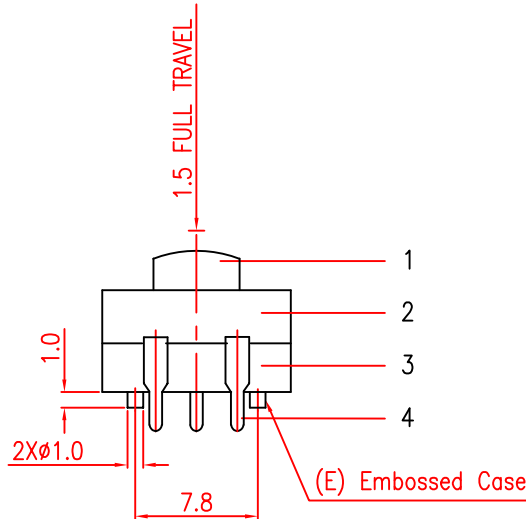
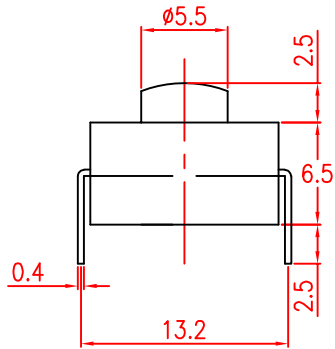
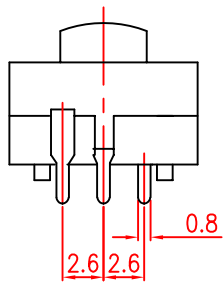
RoHS Compliant

SYMB	REVISION	DATE	APVD.
△	PS SERIES → TPS SERIES	13-05-2011	陈桂昌



SPECIFICATION:

1. Rating: 1A 30V DC
2. Contact resistance: 100mΩ max
3. Insulation resistance: 100MΩ min
4. Withstand Voltage: 500 AC for 1 minute
5. Operating force: 550gf; 750gf; 850gf
6. Life: 50000 cycles.



TITLE	TORCH SWITCH			DRAWN	L.Liu		TOLERANCE OTHERWISE UNLESS SPECIFIED		8				
PART NO.	△ XB-TPS-13D09			CHECKED	G.C.Chen		UP TO 5	±0.2	7				
DRAW NO.	P250			APPROVED	H.K.Lai		ABOVE 5 ~ 30	±0.3	6				
SCALE	2:1	UNIT	mm	DATE	28-12-2000		ABOVE 30 ~ 50	±0.4	5				
							ABOVE 50	±0.5	4	TERMINAL	C2680	4	Ag PLATED
							ANGLE	±3'	3	HOUSING	POM	1	BLACK
									2	COVER	POM	1	BLACK
									1	KNOB	POM	1	BLACK
									NO.	PARTS	MATERIAL	QTY.	FINISHING
										Copyright Reserved, Please Do Not Copy. 版权所有, 不得翻印. 23082011			



东莞市溪榜电子有限公司
DONG GUAN XI BANG ELECTRONICS CO., LTD.

