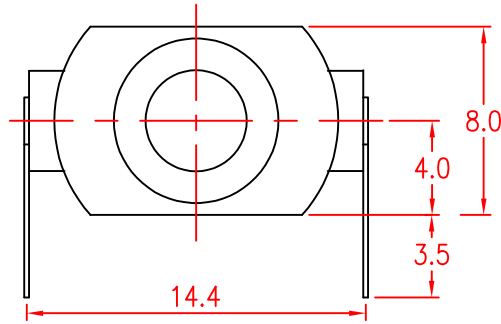


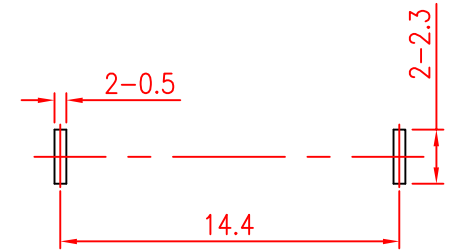
RoHS Compliant

FOR REFERENCE ONLY

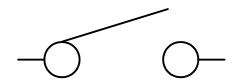
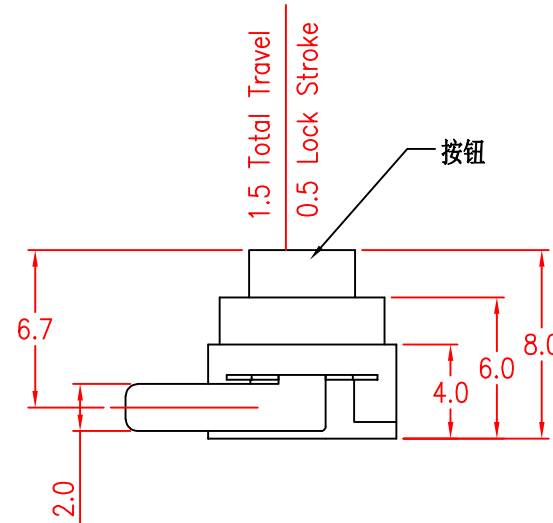
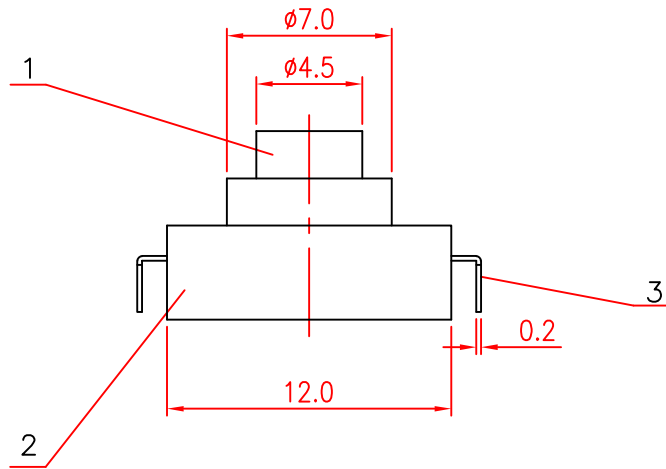
SYMB	REVISION	DATE	APVD.
⚠	PS SERIES → TPS SERIES	14-05-2011	陈桂昌



注: 该产品插PCB焊接方式, 可能会出现推动按钮时, 端子变形导致产品往操作按钮相反方向偏移.



P.C.B LAYOUT TOP VIEW



CIRCUIT

14052011Z

TITLE	TORCH SWITCH		DRAWN	L.Liu		TOLERANCE OTHERWISE UNLESS SPECIFIED	8			
PART NO.	XB-TPS-11D50		CHECKED	G.C.Chen		UP TO 5	±0.2	6		
DRAW NO.	P246		APPROVED	W.Y.Wong		ABOVE 5 ~ 30	±0.3	5		
SCALE	3:1	UNIT	mm	DATE	10-06-2010	ABOVE 30 ~ 50	±0.4	4		
						ABOVE 50	±0.5	3	KNOB	POM
						ANGLE	±3'	2	TERMINAL	BRASS STRIP
								1	HOUSING	POM
								1	PARTS	MATERIAL
								1		WHITE
								2		Ag PLATED
								1		WHITE
								1		WHITE

东莞市溪榜电子有限公司
DONG GUAN XI BANG ELECTRONICS CO., LTD.

