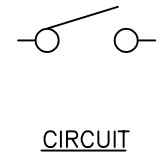
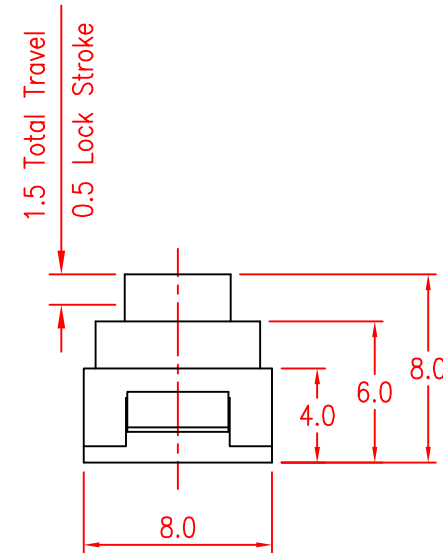
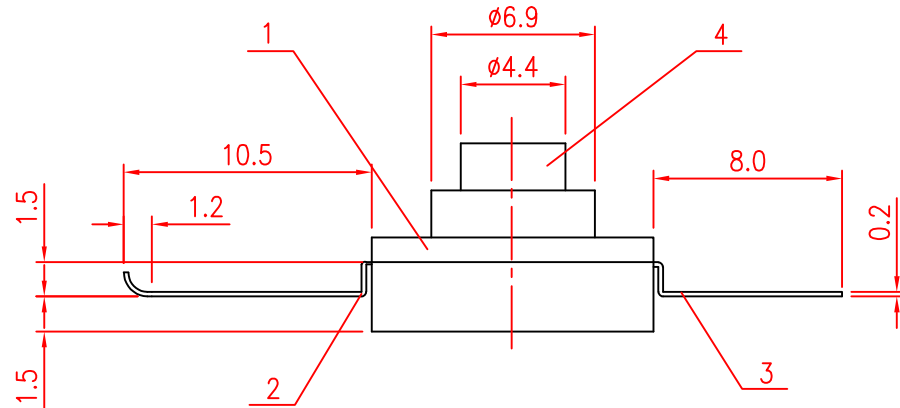
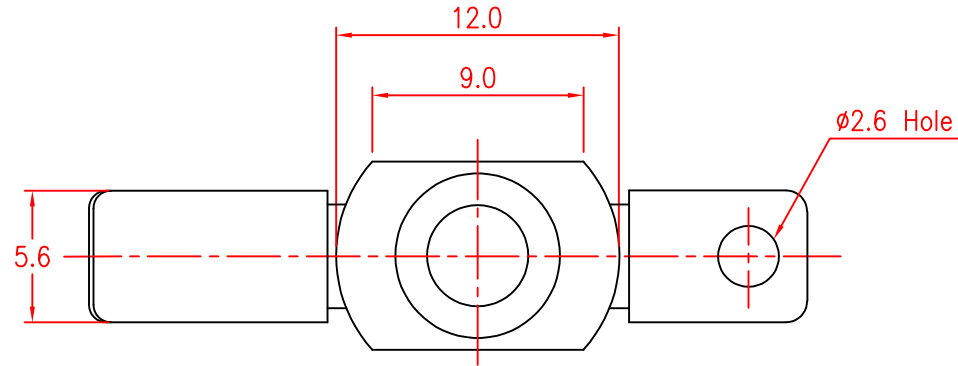


SYMB	REVISION	DATE	APVD.
⚠	PS SERIES → TPS SERIES	13-05-2011	陈桂昌



13052011Z

TITLE	TORCH SWITCH			DRAWN		TOLERANCE OTHERWISE UNLESS SPECIFIED	9					
PART NO.	XB-TPS-11C56-600			CHECKED		UP TO 5	±0.2	8				
DRAW NO.	P165			APPROVED		ABOVE 5 ~ 30	±0.3	7				
SCALE	3:1	UNIT	mm	DATE	1-4-2005	ABOVE 30 ~ 50	±0.4	6				
						ABOVE 50	±0.5	5				
						ANGLE	±3'	4	KNOB	POM	1	WHITE
								3	TERMINAL	BRASS STRIP	1	Ni PLATED
								2	TERMINAL	BRASS STRIP	1	Ni PLATED
								1	HOUSING	PC	1	WHITE
								NO.	PARTS	MATERIAL	QTY.	FINISHING

