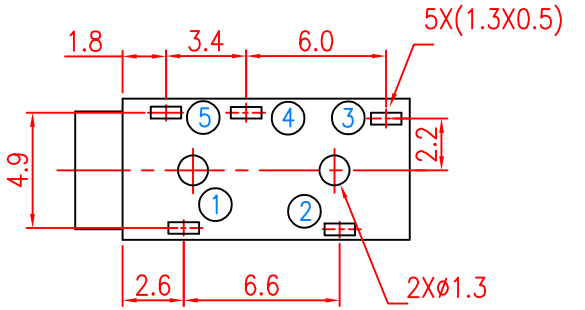
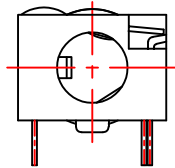
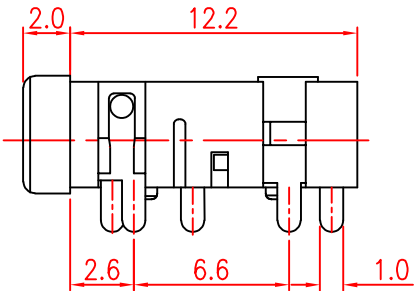
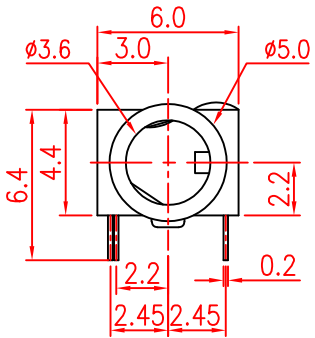
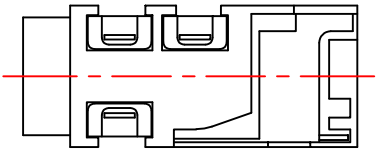
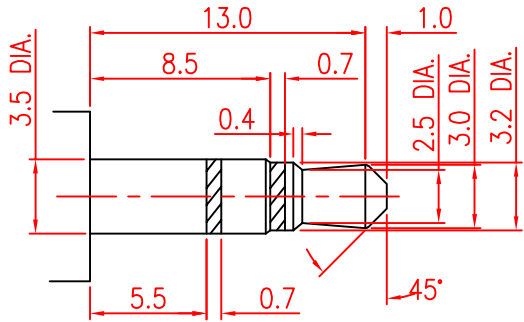


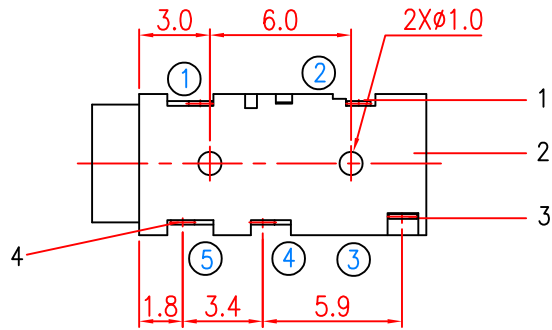
SYMB	REVISION	DATE	APVD.



P.C.B LAYOUT
TOP VIEW



MATE PLUG



CIRCUIT	①	②	③	④	⑤
MODLE NO	ST-3511-2	ST-3511-3	ST-3511-3L	ST-3511-4	ST-3511-5

TITLE	PHONE JACK(STEREO)	DRAWN	L.Liu	TOLERANCE OTHERWISE UNLESS SPECIFIED	8				
PART NO.	XB-ST-3511	CHECKED	G.C.Chen	UP TO 5	±0.2	6			
DRAW NO.	ST161	APPROVED	H.K.Lai	ABOVE 5 ~ 30	±0.3	5			
SCALE: 3:1	UNIT: mm	DATE: 16-08-2005		ABOVE 30 ~ 50	±0.4	4	TERMINAL	C5210	3 Ag PLATED
				ABOVE 50	±0.5	3	TERMINAL	C2680	1 Ag PLATED
				ANGLE	±3'	2	HOUSING	PA66	1 BLACK
						1	TERMINAL	SUS 301	1 Ag PLATED
						NO.	PARTS	MATERIAL	QTY. FINISHING