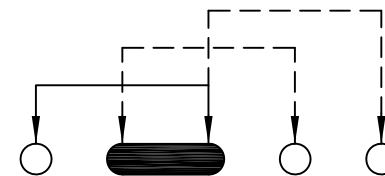
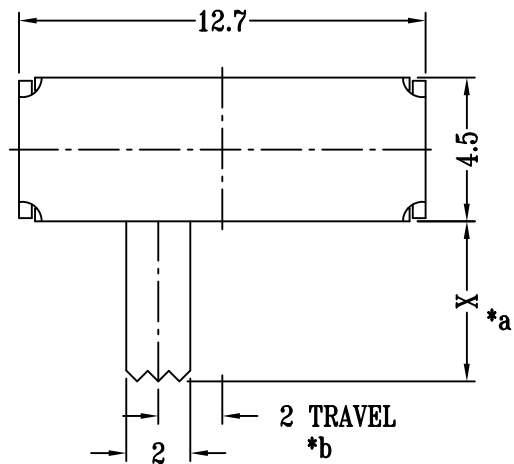
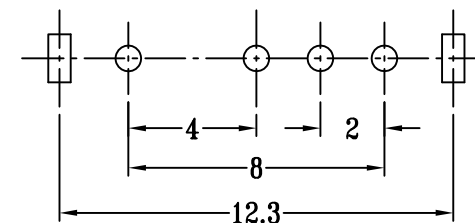
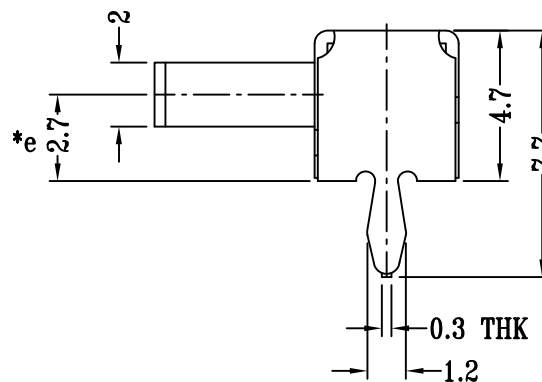
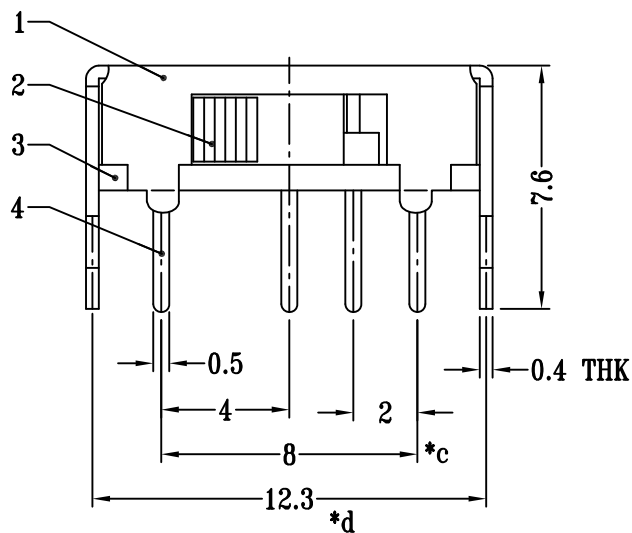


CAD FILE:



SCHEMATIC (SHORTING)



**P.C.B LAYOUT
BOTTOM VIEW**

注: "*"表示关键尺寸(5个).

NO.	PARTS	MATERIALS	Q'TY	FINISH	TOLERANCE UNLESS SPECIFIED	ISSUE	DATE	DESCRIPTIONS OF REVISION	APPD.
8									
7									
6	SPRING PLATE	PBS STRIP	1	NATURAL	WITHIN 1.5mm : ±0.1mm	A	2012-8-8	初版	曾鹏
5	CONTACT CLIP	PBS STRIP	1	Ag PLATED	OVER 1.5mm : ±0.2mm	ISSUE	DATE	DESCRIPTIONS OF REVISION	APPD.
4	TERMINAL	BRASS STRIP	4	Ag PLATED	TITLE : HORIZONTAL SLIDE SWITCH		UNIT : mm	DRWG NO.: XB-SK-13D01	
3	BASE	PHENOLIC RESIN	1	NATURAL	MODEL: XB-SK-13D01		SCALE: 4:1	DWN.	张俊 2012-8-8
2	KNOB	PA66	1	BLACK	东莞市溪榜电子有限公司 DONG GUAN XI BANG ELECTRONI CS CO., LTD.			CHK'D	黄锦效 2012-8-8
1	FRAME	STEEL STRIP	1	Ni PLATED				APPD.	曾鹏 2012-8-8