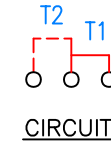
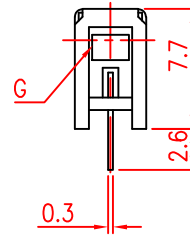
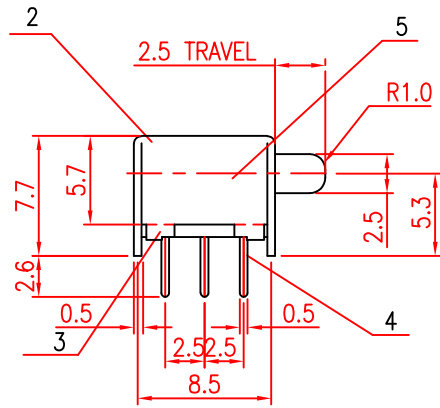
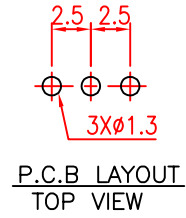
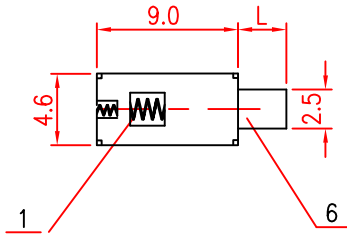


SYMB	REVISION	DATE	APVD.



L=9.0mm

TITLE	PUSH SWITCH	DRAWN	L.Liu	TOLERANCE OTHERWISE UNLESS SPECIFIED	8					
PART NO.	XB-PS-12D33-G9-N	CHECKED	G.C.Chen	UP TO 5	±0.2	6	KNOB	POM	1	BLACK
DRAW NO.	P24-1	APPROVED	H.K.Lai	ABOVE 5 ~ 30	±0.3	5	CONTACT PLATE	C5210	1	Ag PLATED
SCALE: 2:1	UNIT: mm	DATE: 22-09-2004		ABOVE 30 ~ 50	±0.4	4	TERMINAL	C2680	3	Ag PLATED
				ABOVE 50	±0.5	3	BASE	PHENOLIC RESIN	1	NATURAL
				ANGLE	±3'	2	FRAME	SPCC	1	Ni PLATED
						1	SPRING	STAINLESS STEEL	1	NATURAL