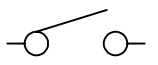
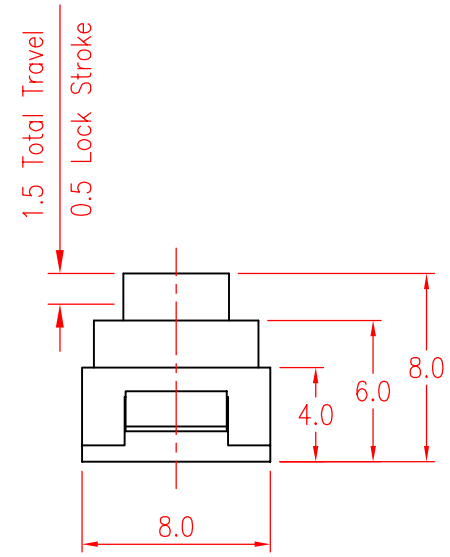
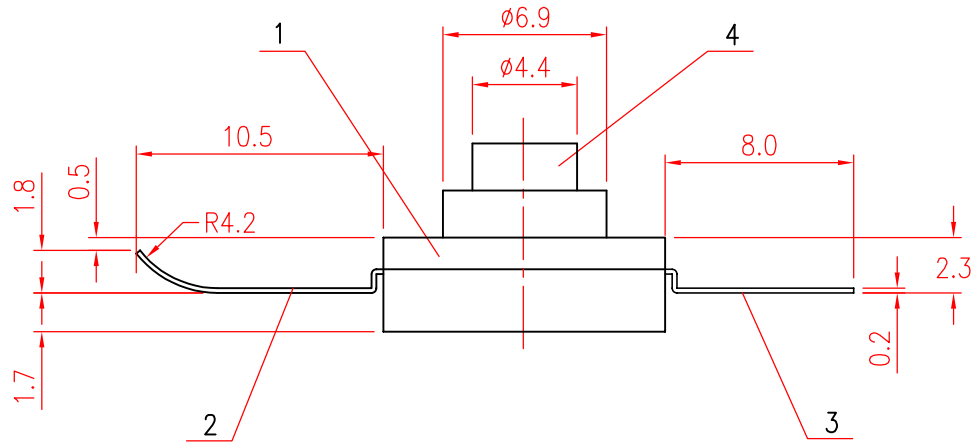
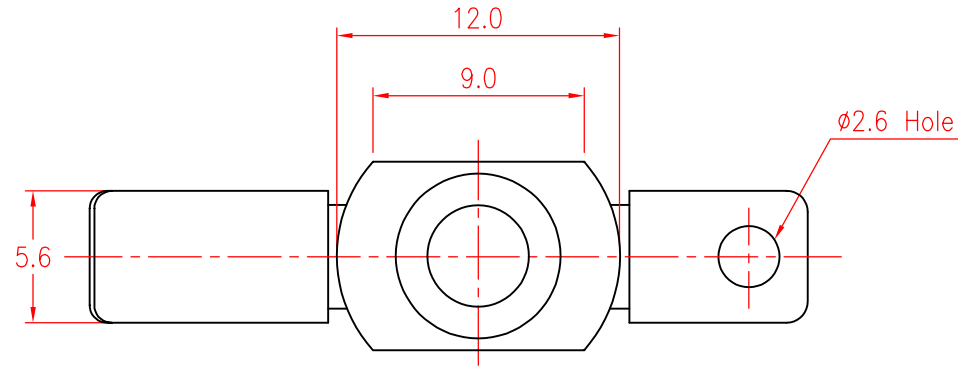


SYMB	REVISION	DATE	APVD.



CIRCUIT

TITLE	PUSH SWITCH			DRAWN	TOLERANCE OTHERWISE UNLESS SPECIFIED		9					
PART NO.	PS-11D31			CHECKED	UP TO 5	±0.2	8					
DRAW NO.	P184			APPROVED	ABOVE 5 ~ 30	±0.3	7					
SCALE	3:1	UNIT	mm	DATE	5-8-2005	ABOVE 30 ~ 50	±0.4	6				
						ABOVE 50	±0.5	5				
						ANGLE	±3°	4	KNOB	POM	1	WHITE
								3	TERMINAL	BRASS STRIP	1	Ni PLATED
								2	TERMINAL	BRASS STRIP	1	Ni PLATED
								1	HOUSING	PC	1	WHITE
								NO.	PARTS	MATERIAL	QTY.	FINISHING



东莞市溪榜电子有限公司
DONG GUAN XI BANG ELECTRONICS CO., LTD.

