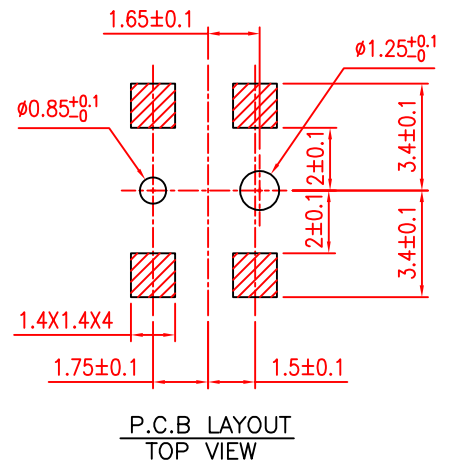
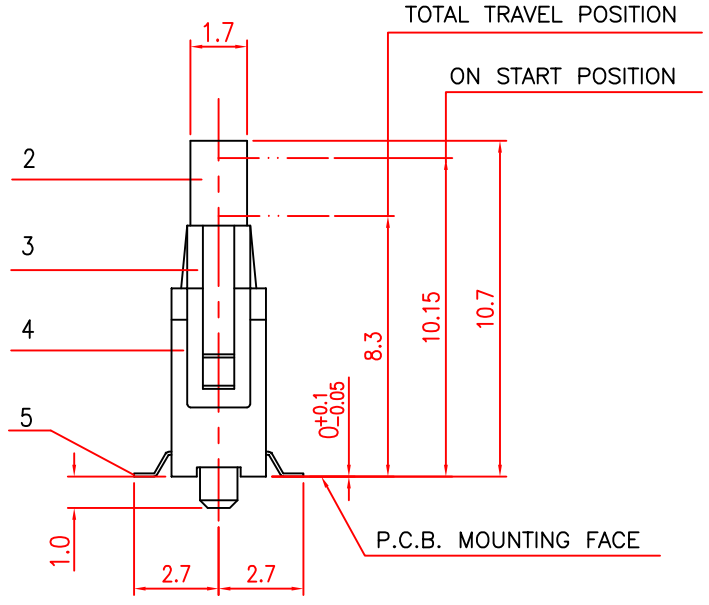
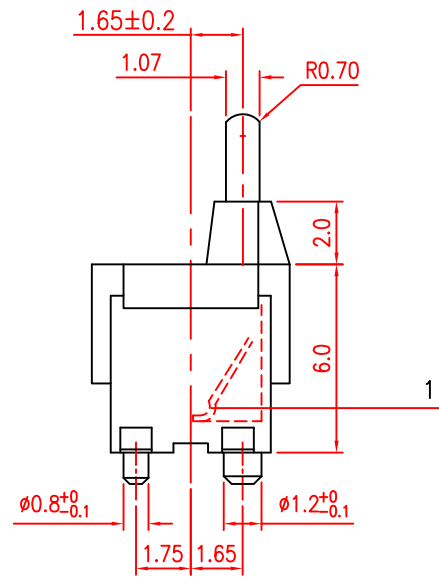
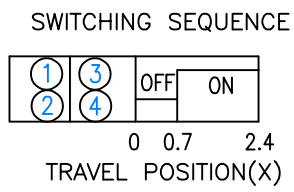
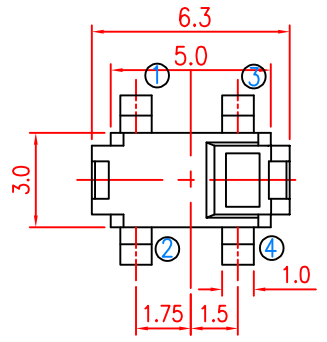
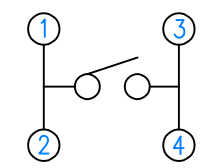


SYMB	REVISION	DATE	APVD.



P.C.B. LAYOUT TOP VIEW



CIRCUIT

TITLE	MICRO DETECTOR SWITCH	DRAWN	L.Liu	TOLERANCE OTHERWISE UNLESS SPECIFIED	8				
PART NO.	XB-MDS-11E17	CHECKED	G.C.Chen	UP TO 5	±0.2	6			
DRAW NO.	M41	APPROVED	H.K.Lai	ABOVE 5 ~ 30	±0.3	5	TERMINAL	C5191R	4 Ag PLATED
SCALE: 4:1	UNIT: mm	DATE: 01-12-2005		ABOVE 30 ~ 50	±0.4	4	COVE	PA46	1 BLACK
				ABOVE 50	±0.5	3	HOUSING	PA46	1 BLACK
				ANGLE	±3'	2	NOB	PA46	1 BLACK
						1	SPRING	C5210	1 CLADED Ag
						NO.	PARTS	MATERIAL	QTY. FINISHING