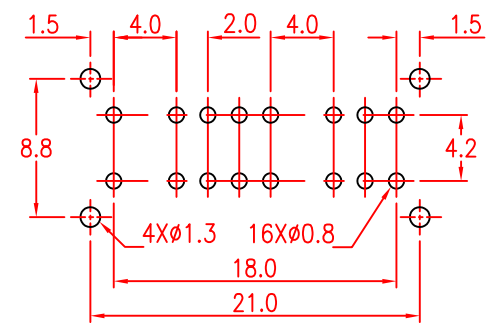
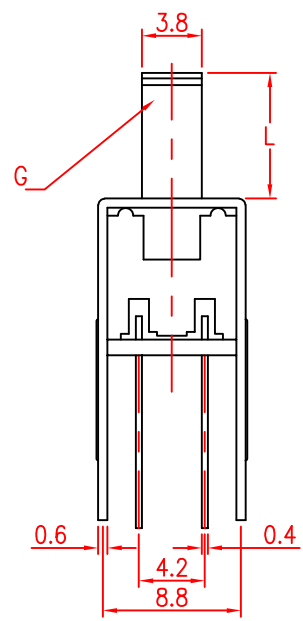
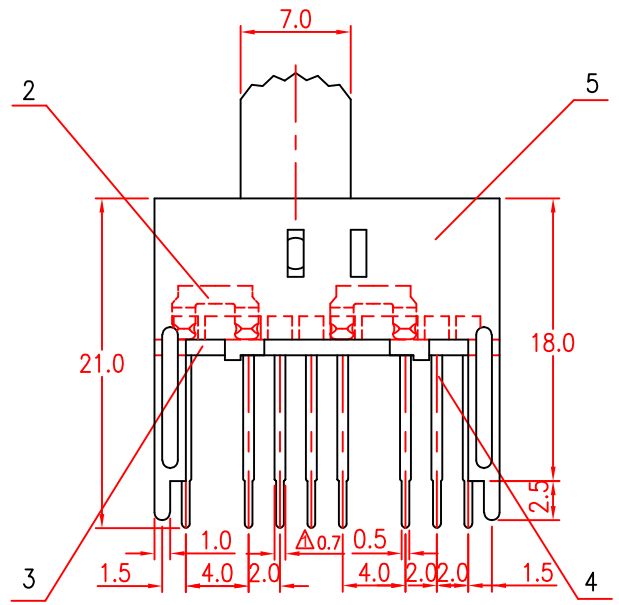
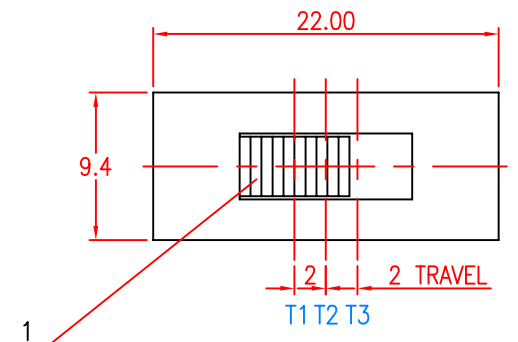
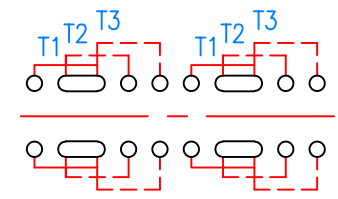


RoHS Compliant

SYMB	REVISION	DATE	APVD.
△	0.5→0.7	21-01-2010	陈桂昌



P.C.B LAYOUT
TOP VIEW



CIRCUIT

L=12.0mm

TITLE	SLIDE SWITCH				DRAWN		L.Zeng		TOLERANCE UNLESS OTHERWISE SPECIFIED		8					
PART NO.	XB-SS-43D06-G				CHECKED		G.C.Chen		UP TO 5	±0.2	7					
DRAW NO.	S123				APPROVED		H.K.Lai		ABOVE 5 ~ 30	±0.3	6					
SCALE	2:1	UNIT	mm	DATE	09-11-2004		ABOVE 30 ~ 50	±0.4	ABOVE 50	±0.5	5	FRAME	SPCC	1	Ni PLATED	
										ANGLE	±3'	4	TERMINAL	BRASS STRIP	16	Ag PLATED
												3	BASE	PHENOLIC RESIN	1	NATURAL
												2	CONTACT PLATED	PBS	4	Ag PLATED
												1	KNOB	POM	1	BLACK
												NO.	PARTS	MATERIAL	QTY.	FINISHING
										Copyright Reserved, Please Do Not Copy.			版权所有, 不得翻印.			

