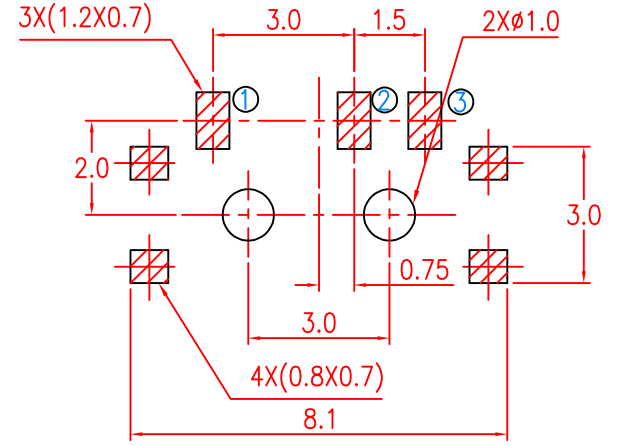
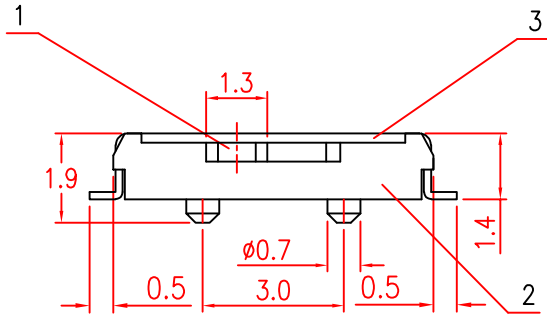
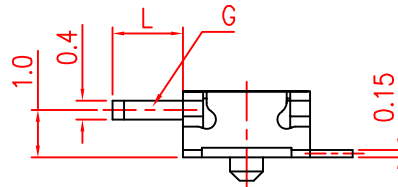
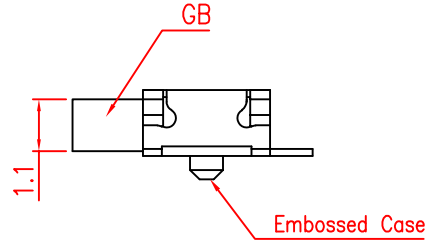
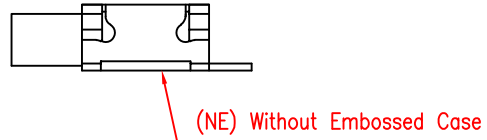
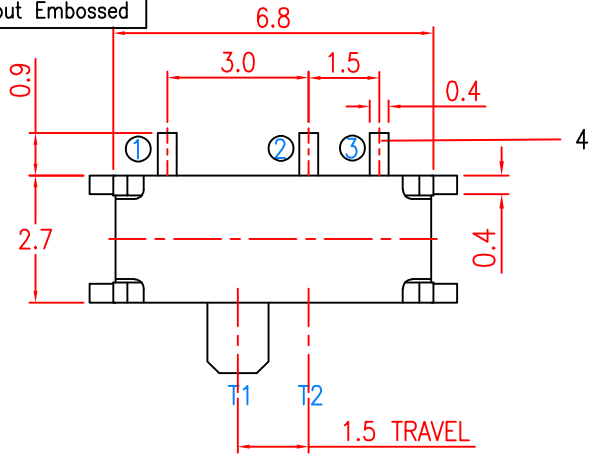
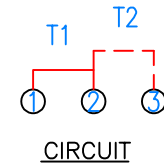


SYMB	REVISION	DATE	APVD.

Part No.	Case
MSK-12C02	With Embossed
MSK-12C02-NE	Without Embossed



P.C.B LAYOUT TOP VIEW



L=1.5mm

TITLE	MINI SLIDE SWITCH	DRAWN	L.Liu	TOLERANCE OTHERWISE UNLESS SPECIFIED	8				
PART NO.	XB-MSK-12C02-GB1.5-N	CHECKED	G.C.Chen	UP TO 5	±0.2	6			
DRAW NO.	MK2	APPROVED	H.K.Lai	ABOVE 5 ~ 30	±0.3	5			
SCALE: 6:1	UNIT: mm	DATE: 20-12-2005		ABOVE 30 ~ 50	±0.4	4	TERMINAL	C2680	3 Ag PLATED
				ABOVE 50	±0.5	3	FRAME	SUS	1 Ag PLATED
				ANGLE	±3'	2	HOUSING	PA46	1 BLACK
						1	KNOB	PA46	1 BLACK
						NO.	PARTS	MATERIAL	QTY. FINISHING
							Copyright Reserved, Please Do Not Copy. 版权所有, 不得翻印.		