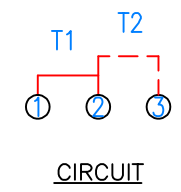
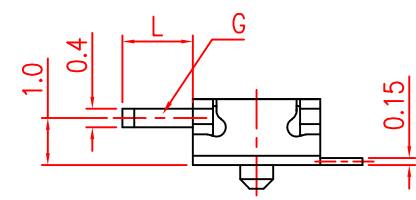
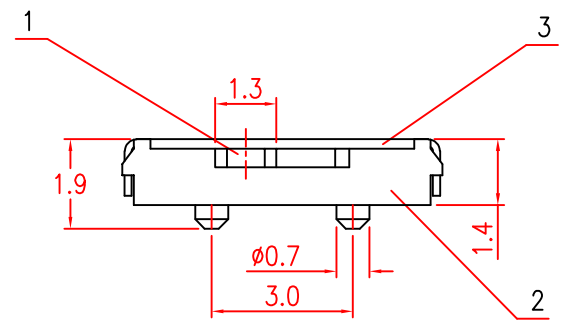
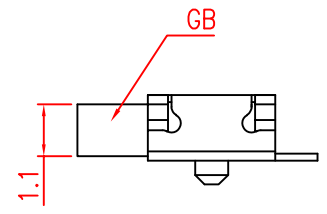
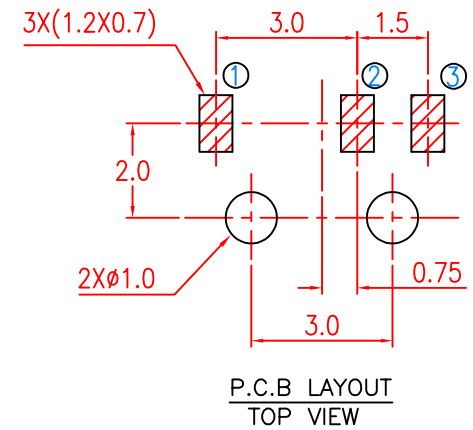
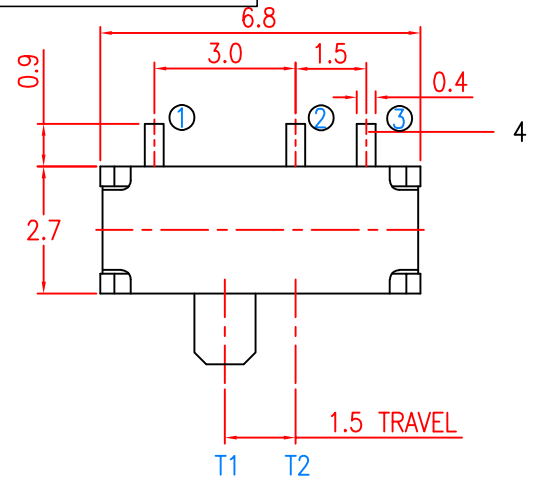


REVISION A RoHS Compliant

SYMB	REVISION	DATE	APVD.



L=1.5mm

TITLE	MINI SLIDE SWITCH	DRAWN	L.Liu	TOLERANCE OTHERWISE UNLESS SPECIFIED	8				
PART NO.	XB-MSK-12C01-G1.5-N-BK	CHECKED	G.C.Chen	UP TO 5	±0.2	6			
DRAW NO.	MK1	APPROVED	H.K.Lai	ABOVE 5 ~ 30	±0.3	5			
SCALE: 6:1	UNIT: mm	DATE: 09-10-2004		ABOVE 30 ~ 50	±0.4	4	TERMINAL	C2680	3 Ag PLATED
				ABOVE 50	±0.5	3	FRAME	SUS	1 NATURAL
				ANGLE	±3'	2	HOUSING	PA46	1 BLACK
						1	KNOB	PA46	1 BLACK
						NO.	PARTS	MATERIAL	QTY. FINISHING

东莞市溪榜电子有限公司  
DONG GUAN XI BANG ELECTRONI CS CO., LTD.

Copyright Reserved, Please Do Not Copy. 版权所有, 不得翻印.