

RoHS

REV.	EC#	DESCRIPTION	DATE	DRAWING	CHECKED	APPROVED
A0		NEW RELEASE	07/03'20	ZHOU	TEDDY	SUNNLY

Pin #	SIGNAL NAME	DESCRIPTION	MATING SEQUENCE
1	VBUS	POWER	SECOND
2	D-	USB 2.0 DIFFERENTIAL PAIR	THIRD
3	D+		
4	GND	GROUND FOR POWER RETURN	SECOND
5	StdA_SSRX-	SUPERSPEED RECEIVER DIFFERENTIAL PAIR	LAST
6	StdA_SSRX+		
7	GND_DRAIN	GROUND FOR SIGNAL RETURN	
8	StdA_SSTX-	SUPERSPEED TRANSMITTER DIFFERENTIAL PAIR	
9	StdA_SSTX+		
Shell	Shield	CONNECTOR METAL SHELL	FRIST

NOTE:

1.MATERIAL:

- 1.1 HOUSING:LCP UL94V-0,COLOR:SEE PART NO.
- 1.2 CONTACT:COPPER ALLOY(T=0.2mm)
- 1.3 SHELL:SUS304(T=0.30mm)

2.ELECTRICAL CHARACTERISTICS:

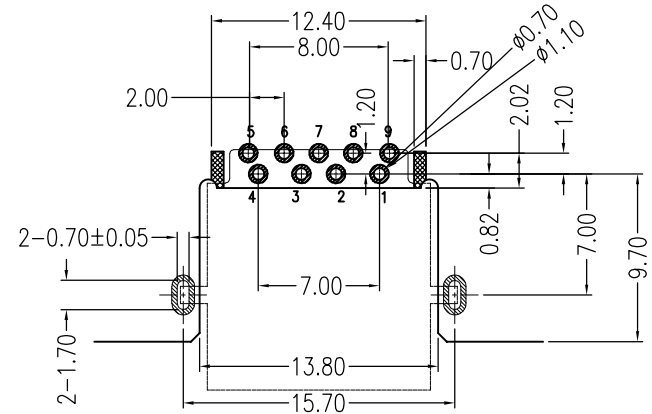
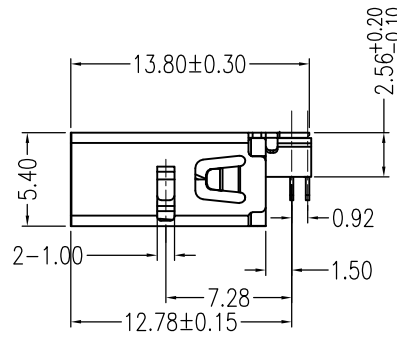
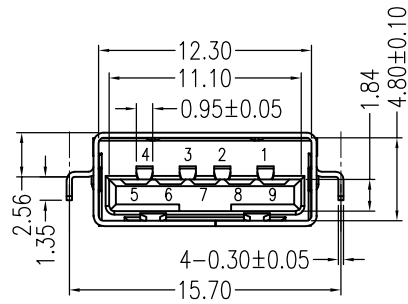
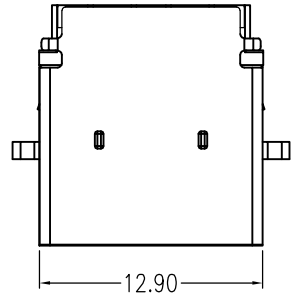
- 2.1 CONTACTRESISTANCE:30m Max
- 2.2 CONTACT CURRENT RATING:1.5A
- 2.3 DIELECTRIC WITHSTANDING VOLTAGE:500 V R.M.S.
- 2.4 INSULATION RESISTANCE 100 MEGOHMS M
- 2.5 OPERATING TEMPERATURE:-40°C~85°C
- 2.6 RATE VOLTAGE: 30V DC

3 MECHANICAL CHARACTERISTICS:

- 3.1 MATING FORCE:10 N Min INITIAL; 8 N Min AFTER TEST
- 3.2 UNMATED FORCE:35 N Max
- 3.3 DURABILITY:5,000 CYCLES

4.PLATING

- 4.1 TERMINAL CONTACT:G/F PLATED ON CONTACT AREA
80u" MATTE TIN PLATED ON SOLDER AREA
30u" Ni UNDERPLATED OVERALL
- 4.2 SHELL:50u"MIN. NICKEL ALL OVER

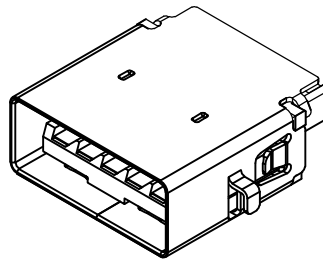
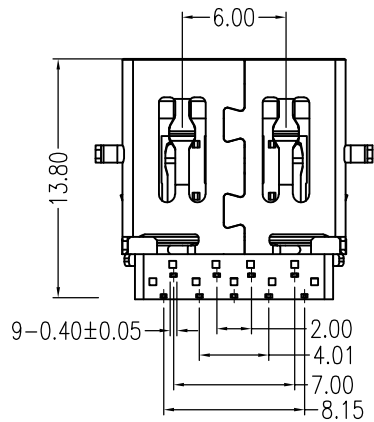


- PAD AREA
- KEEP OUT AREA
- GND PATTERN ONLY
- KEEP OUT AREA

TOLERANCE: ±0.05, THICKNESS: 1.0~1.2mm

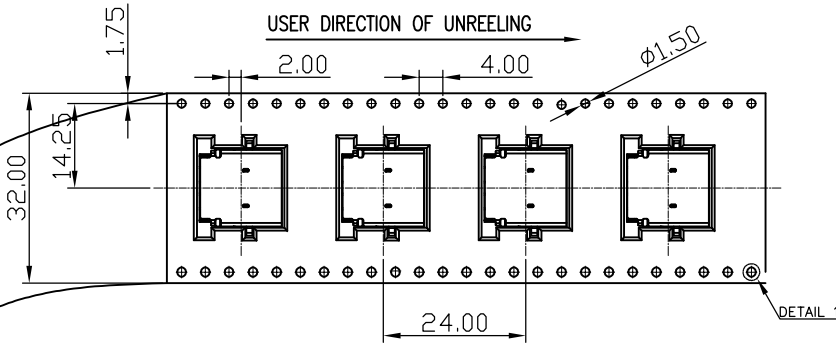
RECOMMENDED PCB LAYOUT

(TOP VIEW)



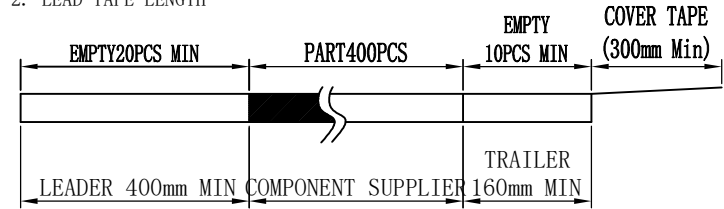
MILLIMETERS	INCH	UNITS	东莞市溪榜电子有限公司	
X.* ± 2'	X.* ± 2'	MM	DONG GUAN XI BANG ELECTRONICS CO., LTD.	
.X ± 0.38	.XX ± 0.012	MAT'L	PART NUMBER:	TITLE: UB004-111
.XX ± 0.25	.XXX ± 0.008	SEE NOTES	XB-104012932	USB3.0反沉2.56H平口两脚(黑色) 客户图
.XXX ± 0.15	.XXXX ± 0.004	FINISH		
THESE DRAWINGS AND SPECIFICATIONS ARE THE PROPERTY OF DongGuan JinBLai Metal Plastic Technology Co.,Ltd		SEE NOTES	APPD:	DWG NO.:
COPIED OR USED IN ANY MANNER WITHOUT THE PRIOR WRITTEN CONSENT OF DongGuan JinBLai Metal Plastic Technology Co.,Ltd		QTY	CHKD:	XB-104012932
		SEE NOTES	DR:	SCALE SHEET REV.
				1:1 1/2 A0

RoHS

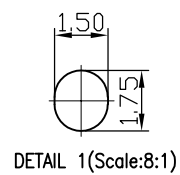
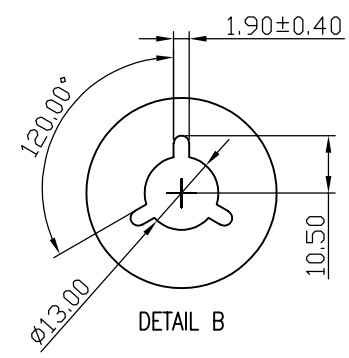
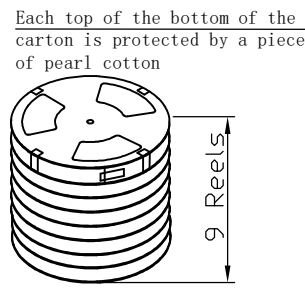
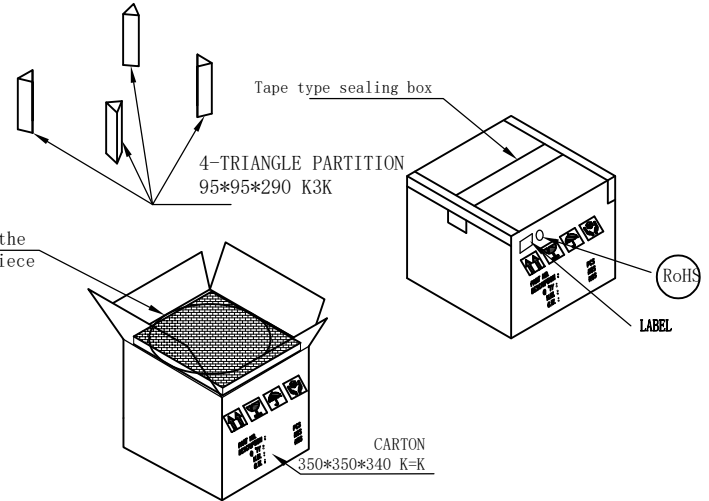
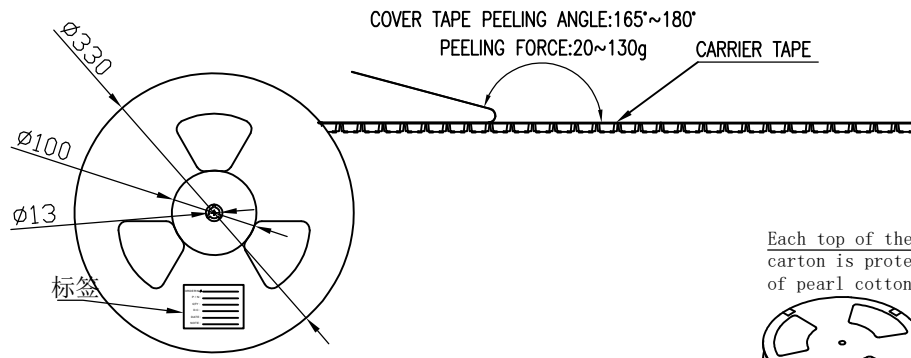


NOTES

1. NUMBER OF CONNECTORS: 400PCS/REEL
2. LEAD TAPE LENGTH



3. QUANTITY: 3200PCS/CARTON



MILLIMETERS	INCH	UNITS	MM
X. ^o ± 2 ^o	X. ^o ± 2 ^o	MAT'L	
.X ± 0.30	.XX ± 0.012	SEE NOTES	
.XX ± 0.20	.XXX ± 0.008	FINISH	
.XXX ± 0.10	.XXXX ± 0.004	SEE NOTES	
THESE DRAWINGS AND SPECIFICATIONS ARE THE PROPERTY OF DongGuan JinBilai Metal Plastic Technology Co.,Ltd		QTY	
COPIED OR USED IN ANY MANNER WITHOUT THE PRIOR WRITTEN CONSENT OF DongGuan JinBilai Metal Plastic Technology Co.,Ltd		SEE NOTES	

东莞市溪榜电子有限公司 DONG GUAN XI BANG ELECTRONICS CO., LTD.		PART NUMBER:	TITLE: UB004-111
		XB-104012932	USB3.0反沉2.56H平口两脚(黑色)客户图
APPD:		DWG NO.:	
CHKD:		XB-104012932	
DR:		SCALE	SHEET
		1:1	2/2
		REV.	X0