

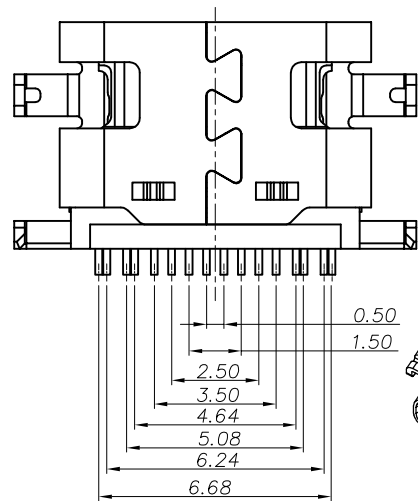
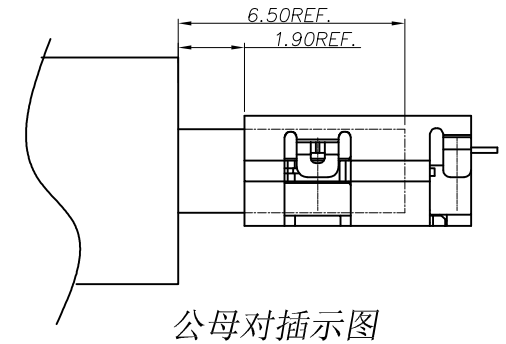
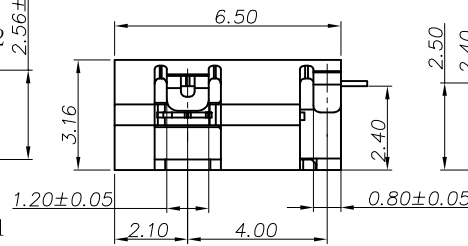
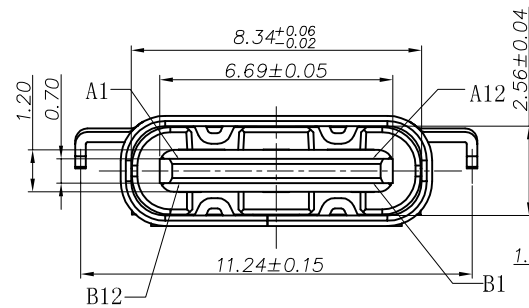
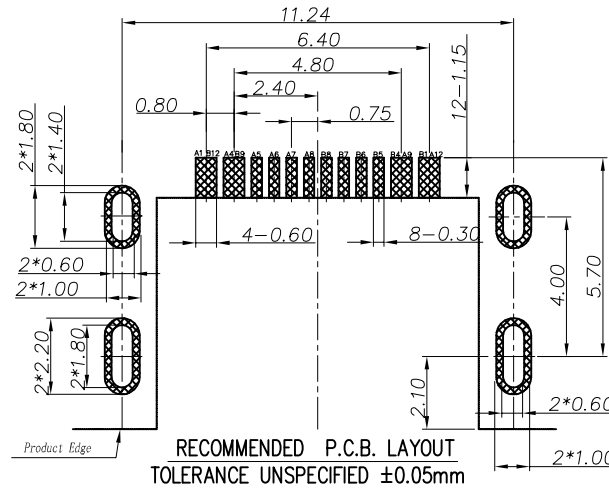
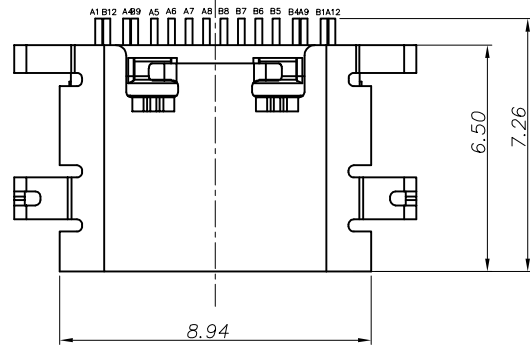
RoHS

REV.	EC#	DESCRIPTION	DATE	DRAWING	CHECKED	APPROVED
A0		NEW RELEASE	12/21'21	LH	/	MOON

NOTES:

SPECIFICATION:

1. CURRENT RATING: 5.0A MAX
2. VOLTAGE: 100 VAC
3. TEMPERATURE RANGE: -30 °C ~ 85 °C
4. CONTACT RESISTANCE: 40 MILLIONHM MAX
5. INSULATION RESISTANCE: 100 MEGOHMS MIN.
6. INSERTION FORCE : 5N~20N
7. UNMATING FORCE: 8N~20N
8. DURABILITY: 10,000 CYCLES



PART No.: 104314582  
 USB SERIES  
 PLATING: 31: Au1u”+G/F  
 PAKING: 2: REEL  
 SERIAL NO.

6	SHELL	STAINLESS STEEL	Ni Plated	1PCS
5	SHIELDING PLATE	STAINLESS STEEL	---	1PCS
4	MD	HIGH TEMPERATURE PLASTIC	BLACK	1PCS
3	CONTACT	COPPER ALLOY	Au/Ni Plated	1SET
2	CONTACT	COPPER ALLOY	Au/Ni Plated	1SET
1	HOUSING	HIGH TEMPERATURE PLASTIC	BLACK	1PCS
NO.	DESCRIPTION	MATERIAL	REMARKS	QTY

A1	GND	B12	GND
A4	VBUS	B9	VBUS
A5	CC1	B8	SBU2
A6	DP1	B7	DN2
A7	DN1	B6	DP2
A8	SBU1	B5	CC2
A9	VBUS	B4	VBUS
A12	GND	B1	GND
PIN	SIGNAL NAME	PIN	SIGNAL NAME

MILLIMETERS	INCH	UNITS
X° ± 2°	X° ± 2°	MM
.X ± 0.30	.XX ± 0.012	MAT'L
.XX ± 0.20	.XXX ± 0.008	SEE NOTES
.XXX ± 0.10	.XXXX ± 0.004	FINISH
		SEE NOTES
		QTY
		SEE NOTES

**XGB** 东莞市溪榜电子有限公司  
 DONG GUAN XI BANG ELECTRONICS CO., LTD.

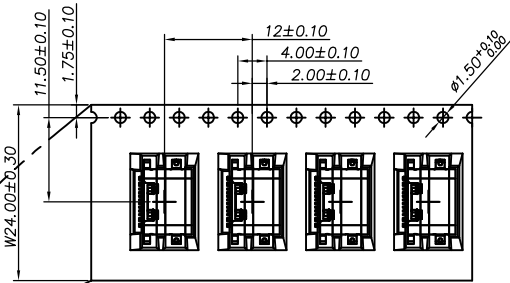
PART NUMBER: XB-104314582-A  
 TITLE: TYPE-C 16PIN 母座L=6.5沉板2.4 (CH=0.82mm)

APPD: DWG NO.: C-104314582-A-00

CHKD: DR: SCALE: 1:1 SHEET: 1/2 REV: A0

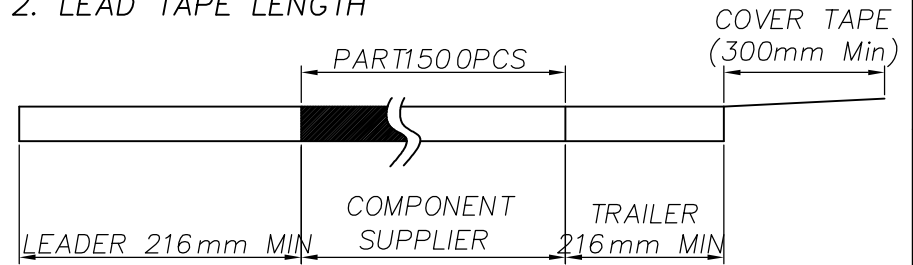
RoHS

User Direction of Unreeling



NOTES

1. NUMBER OF CONNECTORS: 1500PCS/REEL
2. LEAD TAPE LENGTH

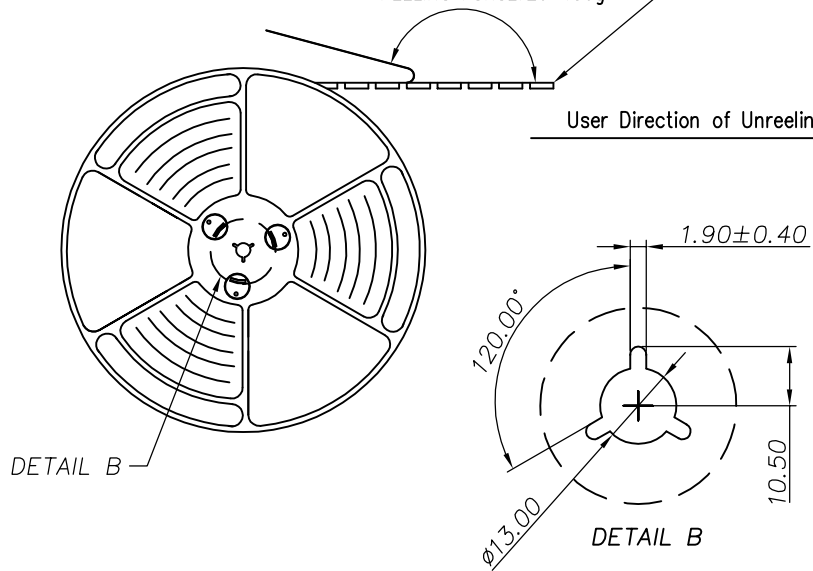


3. QUANTITY: 15000PCS/CARTON

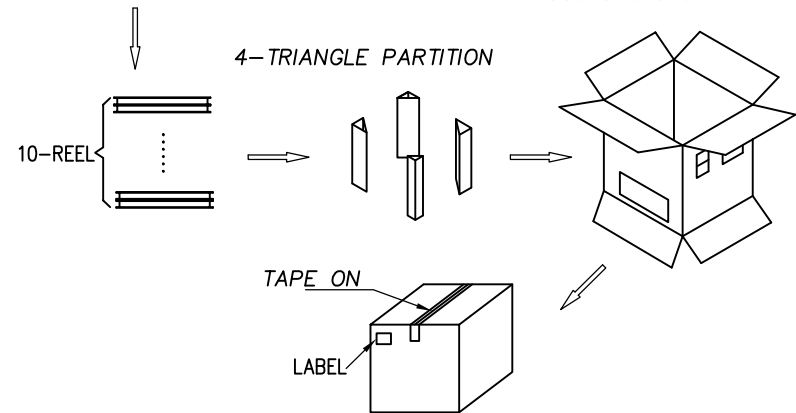
COVER TAPE PEELING ANGLE: 165°~180°  
PEELING FORCE: 20~130g

CARRIER TAPE

User Direction of Unreeling



CARTON  
350x340x310mm



MILLIMETERS	INCH	UNITS	MM	XGB 东莞市溪榜电子有限公司 DONG GUAN XI BANG ELECTRONICS CO., LTD.								
X° ± 2°	X° ± 2°	MAT'L		PART NUMBER: XB-104314582-A		TITLE: TYPE-C 16PIN 母座L=6.5沉板2.4 (CH=0.82mm)						
.X ± 0.30	.XX ± 0.012	SEE NOTES		APPD:		DWG NO.: C-104314582-A-00						
.XX ± 0.20	.XXX ± 0.008	FINISH		CHKD:		<table border="1"> <tr> <th>SCALE</th> <th>SHEET</th> <th>REV.</th> </tr> <tr> <td>1:1</td> <td>2/2</td> <td>A0</td> </tr> </table>	SCALE	SHEET	REV.	1:1	2/2	A0
SCALE	SHEET	REV.										
1:1	2/2	A0										
.XXX ± 0.10	.XXXX ± 0.004	SEE NOTES		QTY								
		SEE NOTES		DR:								