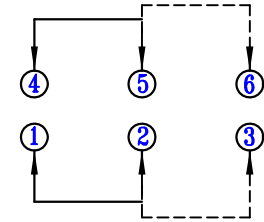
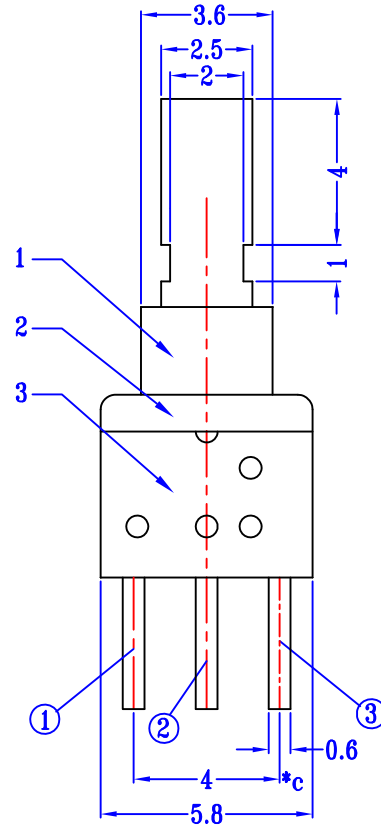
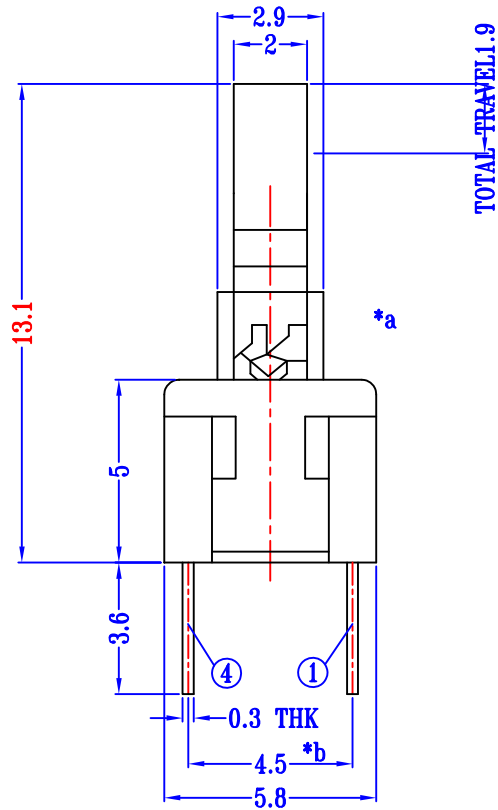
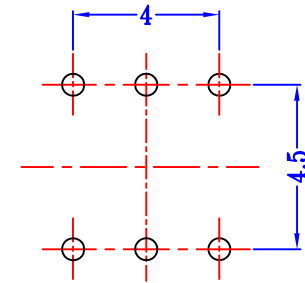


CAD FILE:



SCHEMATIC (NON-SHORTING)



P.C.B. LAYOUT

注：“*”表示关键尺寸(3个)

NO.	PARTS	MATERIALS	Q'TY	FINISH	TOLERANCE UNLESS SPECIFIED	ISSUE	DATE	DESCRIPTIONS OF REVISION	APPD.
8									
7									
6					WITHIN 1.5mm : ±0.1mm				
5					OVER 1.5mm : ±0.2mm				
4	SPRING	SUS	1	NATURAL	TITLE : VERTICAL PUSH SWITCH		UNIT : mm	DRWG NO.: XB-5858L-13D	
3	CASE	NYLON+F.G/BRASS STRIP	1	GREY/Ag PLATED OVER Ni PLATED	MODEL: XB-5858L-13D		SCALE: 5:1	DWN.	7-Dec-2006
2	COVER	NYLON+F.G	1	BLACK/WHITE	DONG GUAN XI BANG ELECTRONI CS CO., LTD.			CHK'D	
1	KNOB	NYLON+F.G/PBSC5210R-EH	1	BLACK /Ag CLAD				APPD.	