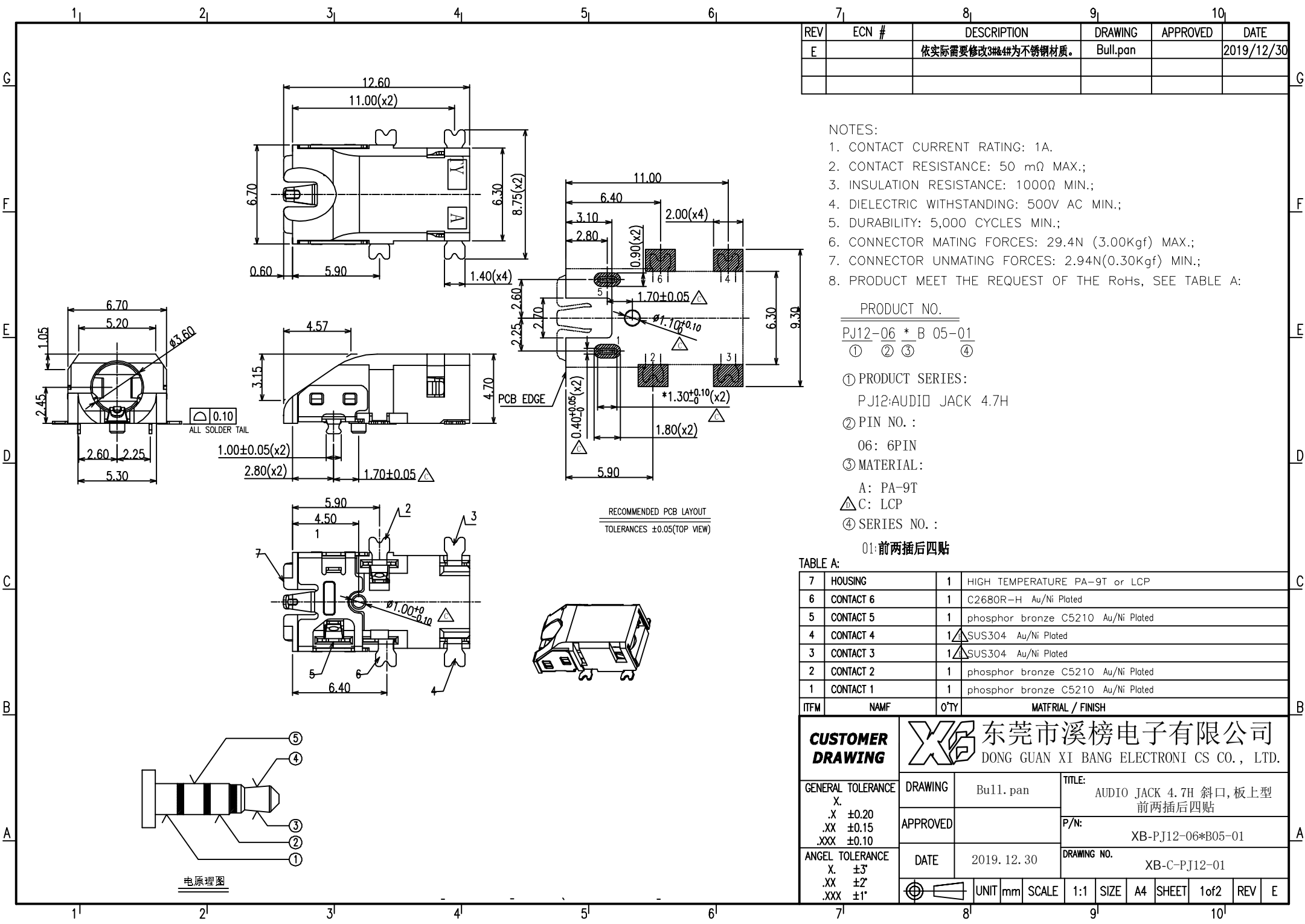


REV	ECN #	DESCRIPTION	DRAWING	APPROVED	DATE
E		依实际需要修改3#4#为不锈钢材质。	Bull.pan		2019/12/30



NOTES:

- CONTACT CURRENT RATING: 1A.
- CONTACT RESISTANCE: 50 mΩ MAX.;
- INSULATION RESISTANCE: 1000Ω MIN.;
- DIELECTRIC WITHSTANDING: 500V AC MIN.;
- DURABILITY: 5,000 CYCLES MIN.;
- CONNECTOR MATING FORCES: 29.4N (3.00KgF) MAX.;
- CONNECTOR UNMATING FORCES: 2.94N(0.30KgF) MIN.;
- PRODUCT MEET THE REQUEST OF THE RoHs, SEE TABLE A:

PRODUCT NO.

PJ12-06 * B 05-01

① ② ③ ④

① PRODUCT SERIES:

PJ12: AUDIO JACK 4.7H

② PIN NO.:

06: 6PIN

③ MATERIAL:

A: PA-9T

△ C: LCP

④ SERIES NO.:

01: 前两插后四贴

TABLE A:

7	HOUSING	1	HIGH TEMPERATURE PA-9T or LCP
6	CONTACT 6	1	C2680R-H Au/Ni Plated
5	CONTACT 5	1	phosphor bronze C5210 Au/Ni Plated
4	CONTACT 4	1	△ SUS304 Au/Ni Plated
3	CONTACT 3	1	△ SUS304 Au/Ni Plated
2	CONTACT 2	1	phosphor bronze C5210 Au/Ni Plated
1	CONTACT 1	1	phosphor bronze C5210 Au/Ni Plated
ITEM	NAME	QTY	MATERIAL / FINISH

CUSTOMER DRAWING

东莞市溪榜电子有限公司
DONG GUAN XI BANG ELECTRONICS CO., LTD.

GENERAL TOLERANCE
X
.X ±0.20
.XX ±0.15
.XXX ±0.10

ANGEL TOLERANCE
X ±3°
.XX ±2°
.XXX ±1°

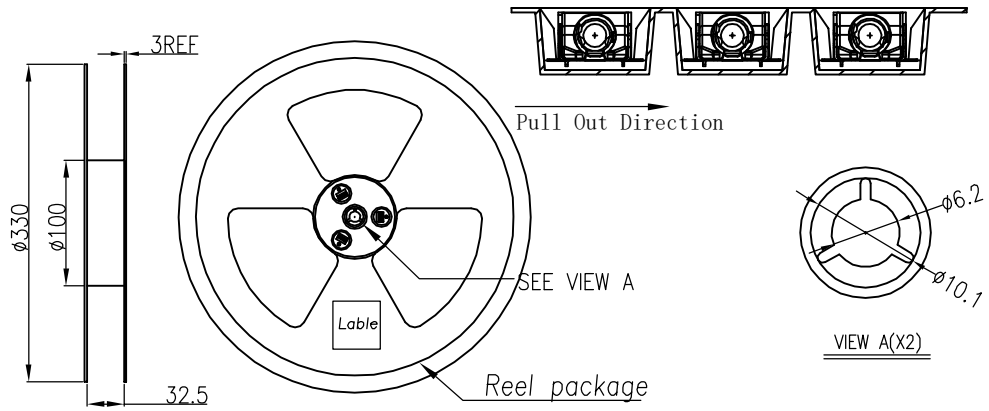
DRAWING	Bull. pan	TITLE:	AUDIO JACK 4.7H 斜口, 板上型 前两插后四贴
APPROVED		P/N:	XB-PJ12-06*B05-01
DATE	2019. 12. 30	DRAWING NO.	XB-C-PJ12-01

UNIT	mm	SCALE	1:1	SIZE	A4	SHEET	1of2	REV	E
------	----	-------	-----	------	----	-------	------	-----	---

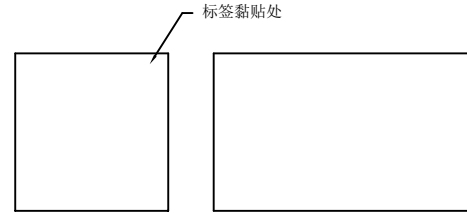
电原理图

□ Packing Notes:

1. Reel : 1000pcs/ Reel.
2. Carton : 11000pcs/ 11 Reel/ Carton.

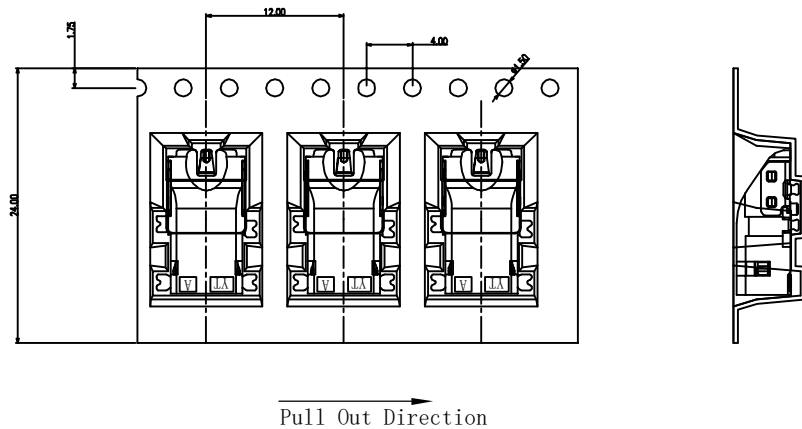
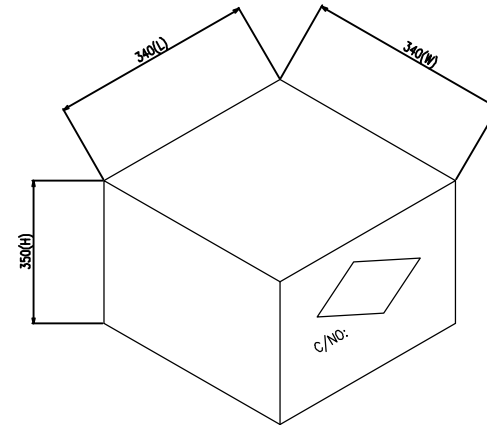
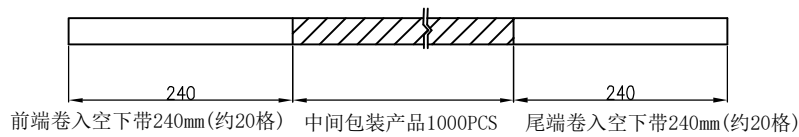


- 1) 用TAPE将纸箱封实.
- 2) 将标签贴于纸箱侧 麦上方.



备 注 (REMARK)

- 1). 若有未装满之零数箱, 必须以缓冲材塞满.
- 2). 在搬运过程中要轻拿轻放.
- 3). 在运输中不可堆放过多, 不可有重压现象.
- 4). 上带在黏贴下带时必须平整, 且黏贴处不要出现气泡.



CUSTOMER DRAWING	XB 东莞市溪榜电子有限公司 DONG GUAN XI BANG ELECTRONICS CO., LTD.	
	DRAWING	Bull.pan
	APPROVED	
	DATE	2019.12.30
GENERAL TOLERANCE X. ±0.20 .XX ±0.15 .XXX ±0.10	TITLE:	AUDIO JACK 4.7H 斜口, 板上型 前两插后四贴 包装图
ANGEL TOLERANCE X. ±3° .XX ±2° .XXX ±1°	P/N:	XB-PJ12- 06*B05-01
	DRAWING NO.	XB-C-PJ12-01
	UNIT	mm
	SCALE	1:1
	SIZE	A4
	SHEET	2of2
	REV	E