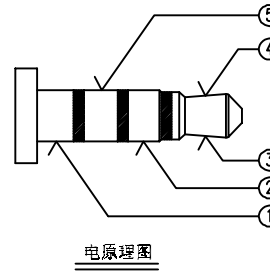
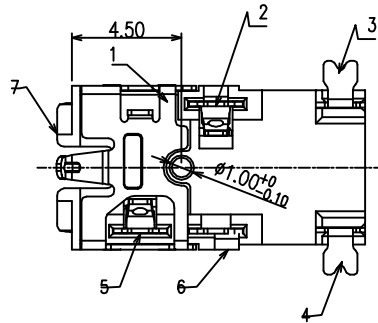
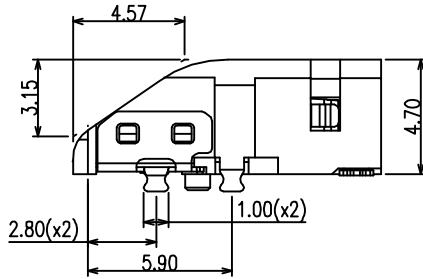
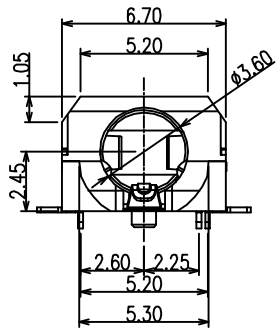
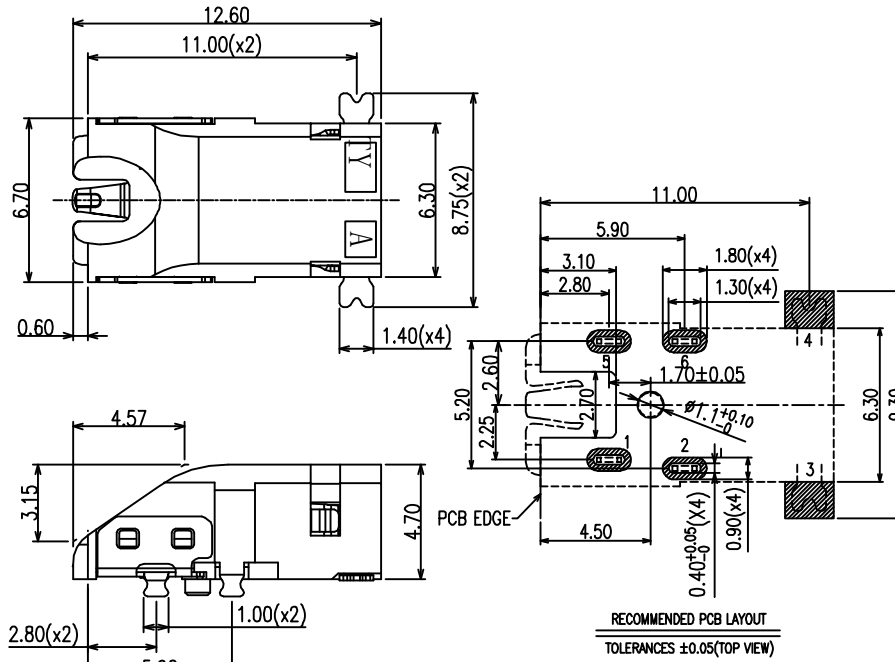
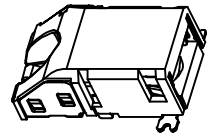


REV	ECN #	DESCRIPTION	DRAWING	APPROVED	DATE
C		依实际需要修改3#4#为不锈钢材质。	Bull.pan		2019/12/30



NOTES:

- CONTACT CURRENT RATING: 1A.
- CONTACT RESISTANCE: 50 mΩ MAX.;
- INSULATION RESISTANCE: 1000Ω MIN.;
- DIELECTRIC WITHSTANDING: 500V AC MIN.;
- DURABILITY: 5,000 CYCLES MIN.;
- CONNECTOR MATING FORCES: 29.4N (3.00KgF) MAX.;
- CONNECTOR UNMATING FORCES: 2.94N(0.30KgF) MIN.;
- PRODUCT MEET THE REQUEST OF THE RoHS, SEE TABLE A:

PRODUCT NO.

PJ12-06 A B 05-00  
① ② ③ ④

- ① PRODUCT SERIES: PJ12:AUDIO JACK 4.7H
- ② PIN NO.: 06: 6PIN
- ③ MATERIAL: A: PA-9T
- ④ SERIES NO.: 00: 前四插后两贴

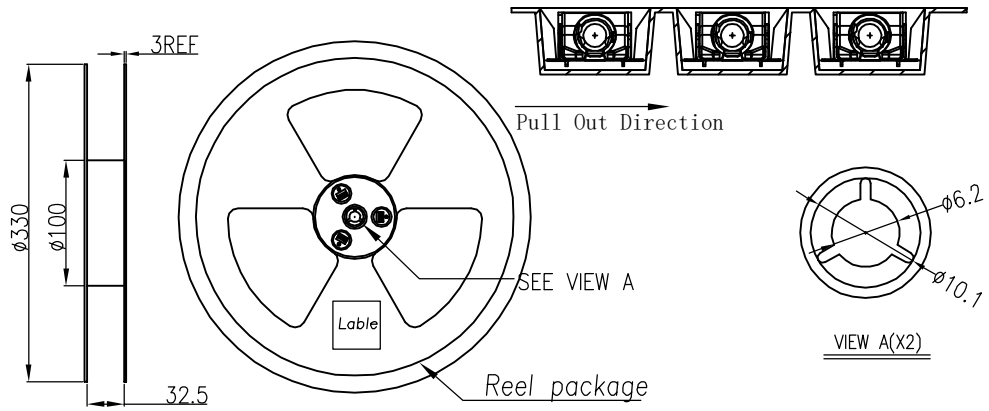
TABLE A:

7	HOUSING	1	HIGH TEMPERATURE UL 94-V0 BLACK
6	CONTACT 6	1	COPPER ALLOY/CONTACT AREA GOLD PLATED
5	CONTACT 5	1	COPPER ALLOY/CONTACT AREA GOLD PLATED
4	CONTACT 4	1	SUS304/CONTACT AREA GOLD PLATED
3	CONTACT 3	1	SUS304/CONTACT AREA GOLD PLATED
2	CONTACT 2	1	COPPER ALLOY/CONTACT AREA GOLD PLATED
1	CONTACT 1	1	COPPER ALLOY/CONTACT AREA GOLD PLATED
ITEM	NAME	Q'TY	MATERIAL / FINISH

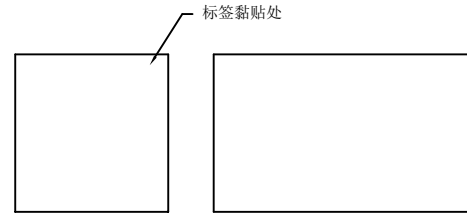
CUSTOMER DRAWING		东莞市溪榜电子有限公司 DONG GUAN XI BANG ELECTRONICS CO., LTD.	
GENERAL TOLERANCE	DRAWING	Bull. pan	TITLE: AUDIO JACK 4.7H 斜口, 板上型 前四插后两贴
.X	APPROVED		P/N: XB-PJ12-06AB05-00
.X ±0.20	DATE	2019. 12. 30	DRAWING NO. XB-C-PJ12-00
.XX ±0.15			
.XXX ±0.10			
ANGEL TOLERANCE			
.X ±3°			
.XX ±2°			
.XXX ±1°			
		UNIT mm	SCALE 1:1
		SHEET 1of2	REV C

□ Packing Notes:

1. Reel : 1000pcs/ Reel.
2. Carton : 11000pcs/ 11 Reel/ Carton.

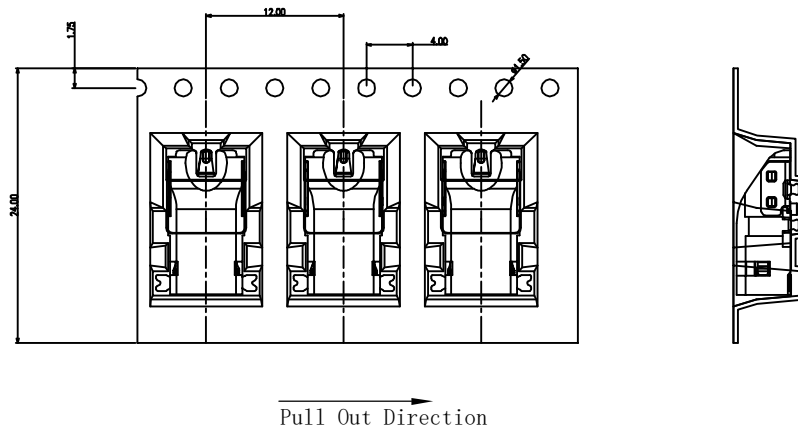
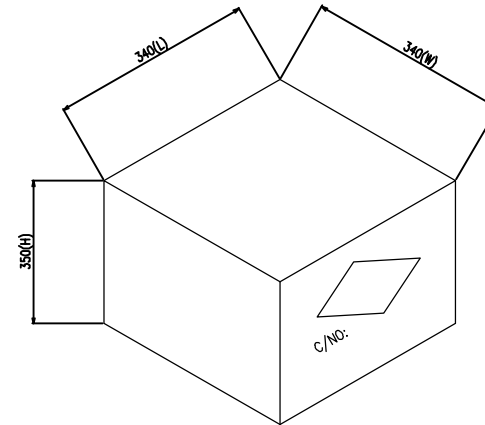
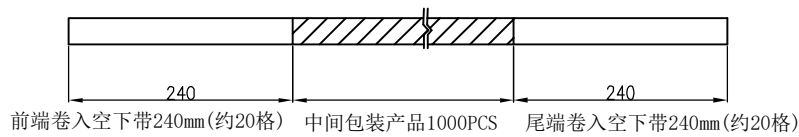


- 1) 用TAPE将纸箱封实.
- 2) 将标签贴于纸箱侧 麦上方.



备 注 (REMARK)

- 1). 若有未装满之零数箱, 必须以缓冲材塞满.
- 2). 在搬运过程中要轻拿轻放.
- 3). 在运输中不可堆放过多, 不可有重压现象.
- 4). 上带在黏贴下带时必须平整, 且黏贴处不要出现气泡.



<b>CUSTOMER DRAWING</b>	<b>XB</b> 东莞市溪榜电子有限公司 DONG GUAN XI BANG ELECTRONICS CO., LTD.	
	DRAWING	Bull.pan
GENERAL TOLERANCE X. ±0.20 .XX ±0.15 .XXX ±0.10	APPROVED	TITLE: AUDIO JACK 4.7H 斜口, 板上型 前四插后两贴 包装图
ANGEL TOLERANCE X. ±3° .XX ±2° .XXX ±1°	DATE	2019.12.30
		P/N: XB-PJ12-06AB05-00
		DRAWING NO. XB-C-PJ12-00
	UNIT	mm
	SCALE	1:1
	SIZE	A4
	SHEET	2of2
	REV	C