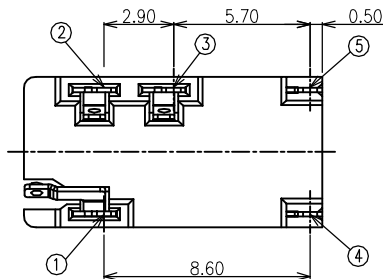
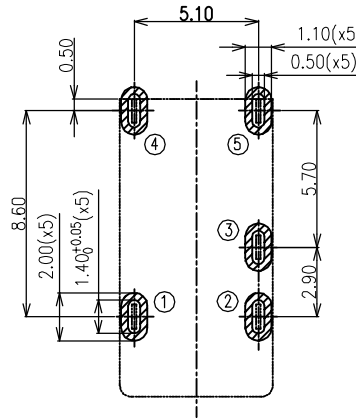
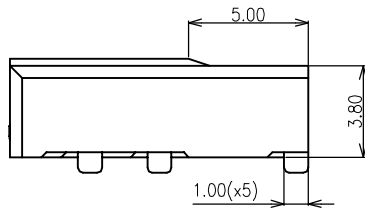
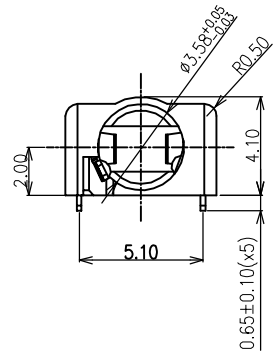
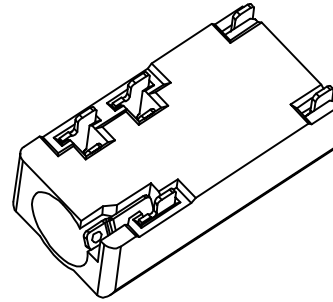
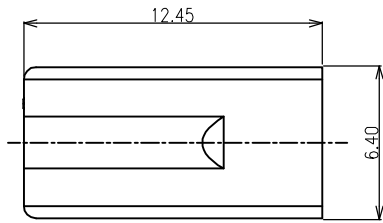


REV	ECN #	DESCRIPTION	DRAWING	APPROVED	DATE
A		NEW RELEASE	DEYI		2014/09/13
B		依实际需要修改4#&5#为不锈钢材质。	Bull.pan		2019/12/30



RECOMMENDED PCB LAYOUT  
TOLERANCES ±0.05(TOP VIEW)

PRODUCT NO.

PJ33-05 A B 03-01

① ② ③ ④

① PRODUCT SERIES:

PJ33: PHONE JACK CONNECTOR

② PIN NO.:

05: 5PIN

③ MATERIAL:

A: PA-9T

④ SERIES NO.:

01: 圆口型

NOTES:

1.0) RATING:

1.1. VOLTAGE: 12 VDC (R.M.S.)

1.2. CURRENT: 1 AMPERE MAXIMUM PER CONTACT AT 30°C T-RISE

1.3. TEMPERATURE: -25°C TO +85°C

2.0) ELECTRICAL CHARACTERISTIC

2.1. CONTACT RESISTANCE: INITIAL 50mΩ MAX.

2.2. INSULATION RESISTANCE: 100 MΩ MIN.

2.3. DIELECTRIC WITHSTANDING VOLTAGE: 500 VAC AT SEA LEVEL

3.0) MECHANICAL:

3.1. DURABILITY, MINIMUM: MATED 5000 CYCLES WITHOUT DEGRADING ELECTRICAL

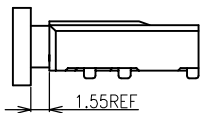
3.2. INITIAL MATING FORCE: 300g~3000g. UNMATING FORCE: 300g~3000g

3.3. AFTER LIFE TESTING MATING FORCE: 300g~3000g. UNMATING FORCE: 300g~3000g

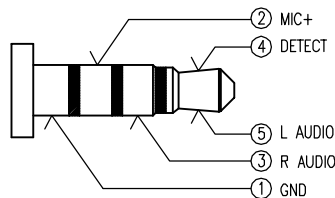
TABLE A:

6	HOUSING	1	HIGH TEMPERATURE UL 94-V0 BLACK
5	CONTACT 5	1	△SUS304/CONTACT AREA GOLD PLATED
4	CONTACT 4	1	△SUS304/CONTACT AREA GOLD PLATED
3	CONTACT 3	1	COPPER ALLOY/CONTACT AREA GOLD PLATED
2	CONTACT 2	1	COPPER ALLOY/CONTACT AREA GOLD PLATED
1	CONTACT 1	1	COPPER ALLOY/CONTACT AREA GOLD PLATED
ITEM	NAME	Q'TY	MATERIAL / FINISH

<b>CUSTOMER DRAWING</b>	<b>东莞市溪榜电子有限公司</b> DONG GUAN XI BANG ELECTRONICS CO., LTD.		
	GENERAL TOLERANCE	TITLE: 3.8mm斜口圆口型耳机座	
	ANGEL TOLERANCE	P/N: XB-PJ33-05AB03-01	
		DRAWING NO. XB-C-PJ33-01	
DRAWING	Bull. pan		
APPROVED			
DATE	2019/12/30		
UNIT	mm	SCALE	1:1
SIZE	A4	SHEET	1of2
REV	B		



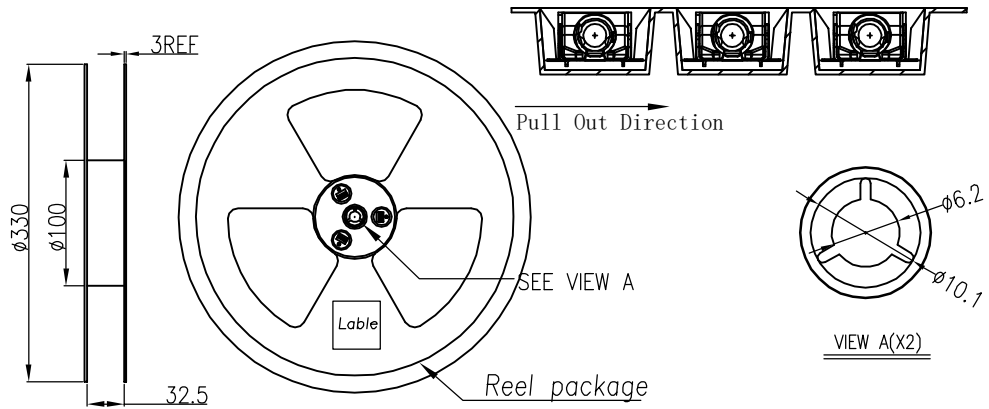
PLUG MATED DIMENSION



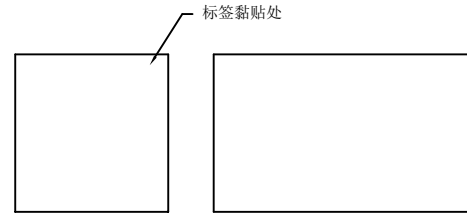
电原理图

□ Packing Notes:

1. Reel : 1000pcs/ Reel.
2. Carton : 11000pcs/ 11 Reel/ Carton.

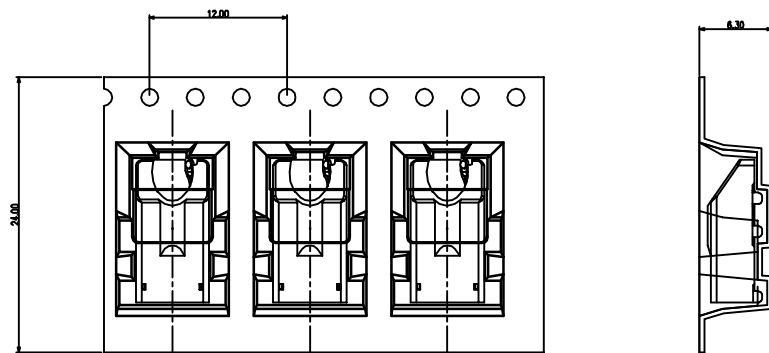
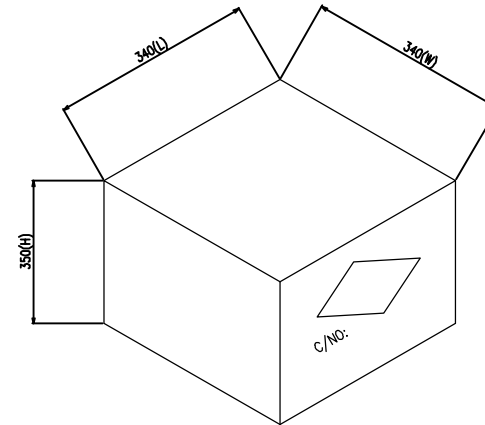
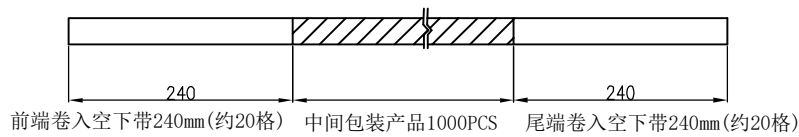


- 1) 用TAPE将纸箱封实.
- 2) 将标签贴于纸箱侧 麦上方.



备 注 (REMARK)

- 1). 若有未装满之零数箱, 必须以缓冲材塞满.
- 2). 在搬运过程中要轻拿轻放.
- 3). 在运输中不可堆放过多, 不可有重压现象.
- 4). 上带在黏贴下带时必须平整, 且黏贴处不要出现气泡.



<b>CUSTOMER DRAWING</b>	<b>XB</b> 东莞市溪榜电子有限公司 DONG GUAN XI BANG ELECTRONICS CO., LTD.	
	DRAWING	Bull.pan
	APPROVED	
	DATE	2019/12/30
GENERAL TOLERANCE	TITLE:	PJ33耳机座3.8H斜口圆口型 包装图
.X ±0.20	P/N:	XB-PJ33-05AB03-01
.XX ±0.15	DRAWING NO.	XB-C-PJ33-01
.XXX ±0.10		
ANGEL TOLERANCE	UNIT	mm
.X ±3°	SCALE	1:1
.XX ±2°	SIZE	A4
.XXX ±1°	SHEET	2of2
	REV	B