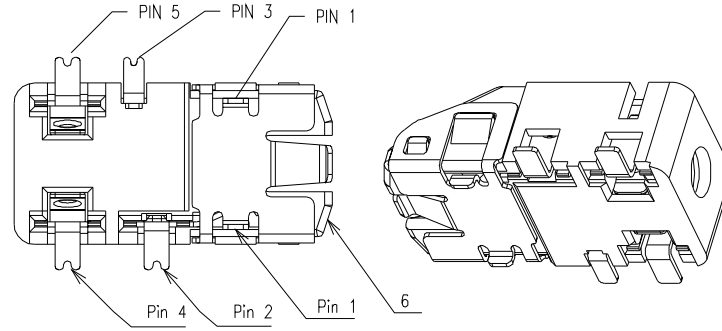
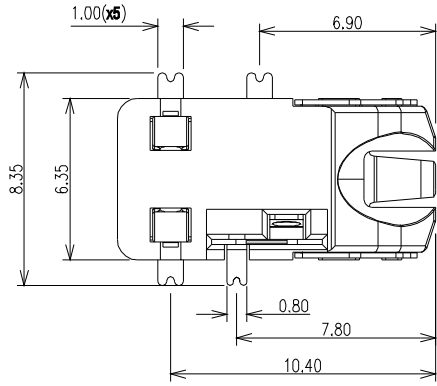


REV	ECN #	DESCRIPTION	DRAWING	APPROVED	DATE
A		NEW RELEASE	DEYI		2012/05/25



NOTES :

1.0) RATING :

- 1.1. VOLTAGE : 12 VDC (R.M.S.)
- 1.2. CURRENT : 1 AMPERE MAXIMUM PER CONTACT AT 30°C T-RISE
- 1.3. TEMPERATURE : -25°C TO +85°C

2.0) ELECTRICAL CHARACTERISTIC

- 2.1. CONTACT RESISTANCE : INITIAL 50mΩ MAX. AFTER 100m
- 2.2. INSULATION RESISTANCE : 100 MΩ MIN.
- 2.3. DIELECTRIC WITHSTANDING VOLTAGE : 500 VAC AT SEA LEVEL

3.0) MECHANICAL :

- 3.1. DURABILITY ,MINIMUM: MATED 5000 CYCLES WITHOUT DEGRADING
- 3.2. INITIAL:MATING FORCE: 300g~2000g.UNMATING FORCE: 300g~2000g
- 3.3. AFTER LIFE TESTING:MATING FORCE: 300g~2000g.UNMATING FORCE: 300g~2000g

PRODUCT NO.

PJ27-06 A B 03-08

① ② ③ ④

① PRODUCT SERIES:

PJ27: PHONE JACK CONNECTOR

② PIN NO. :

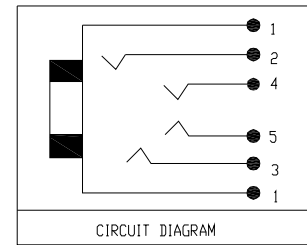
06:6PIN

③ MATERIAL:

A: LCP

④ SERIES NO. :

08:板上型,前插后贴,插脚间距4.95mm



CIRCUIT DIAGRAM

TABLE A:

6	HOUSING	1	HIGH TEMPERATURE BLACK PA-9T
5	pin 5	1	phosphor bronze C5210/CONTACT AREA GOLD PLATED
4	pin 4	1	phosphor bronze C5210/CONTACT AREA GOLD PLATED
3	pin 3	1	phosphor bronze C5210/CONTACT AREA GOLD PLATED
2	pin 2	1	phosphor bronze C5210/CONTACT AREA GOLD PLATED
1	pin 1	1	phosphor bronze C5210/CONTACT AREA GOLD PLATED
ITEM	NAME	Q'TY	MATERIAL / FINISH

CUSTOMER DRAWING



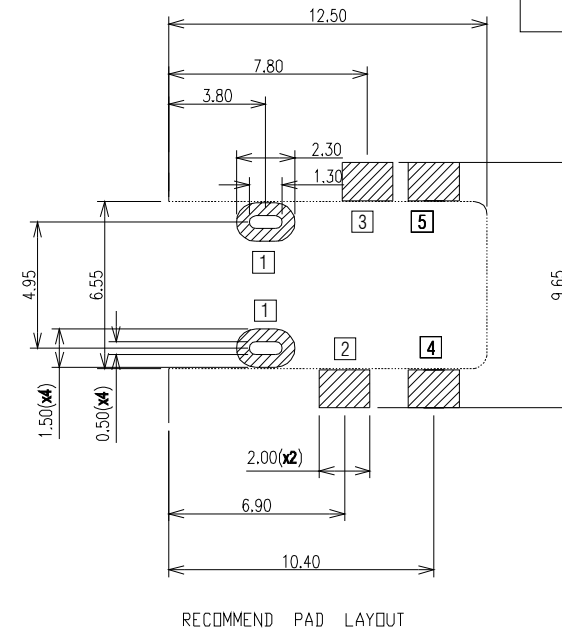
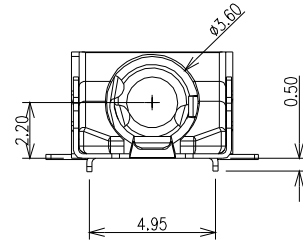
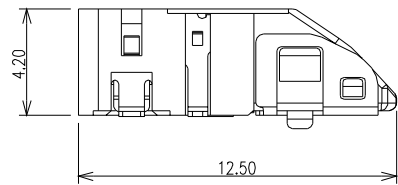
东莞市溪榜电子有限公司
DONG GUAN XI BANG ELECTRONI CS CO., LTD.

GENERAL TOLERANCE
X.
.X ±0.20
.XX ±0.15
.XXX ±0.10

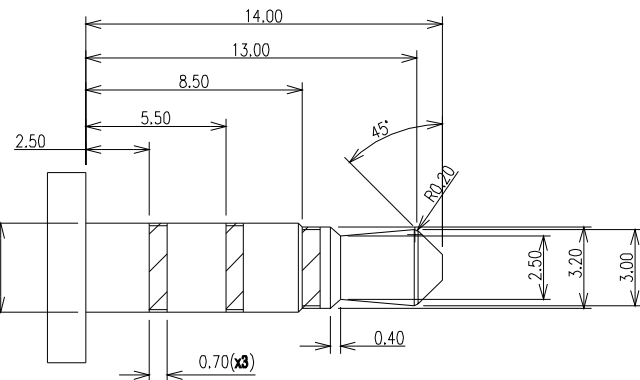
ANGEL TOLERANCE
X. ±3°
.XX ±2°
.XXX ±1°

DRAWING	DEYI	TITLE:	AUDIO JACK 3.5mm 斜头 板上型 (前插后贴,插脚间距4.95mm)						
APPROVED		P/N:	XB-PJ27-06AB03-08						
DATE	2015. 12. 17	DRAWING NO.	XB-C-PJ27-08						
UNIT	mm	SCALE	1:1	SIZE	A4	SHEET	1of1	REV	A

1	2	3	4	5	6
---	---	---	---	---	---



RECOMMEND PAD LAYOUT



THE RECOMMENDED MATING AUDIO PLUG
3.5mm 4 POLE PLUG