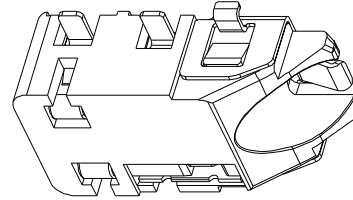
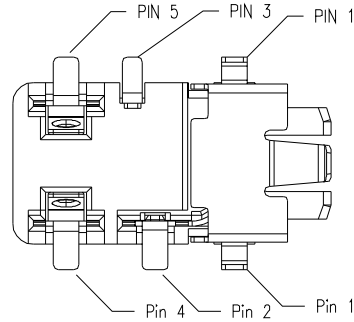
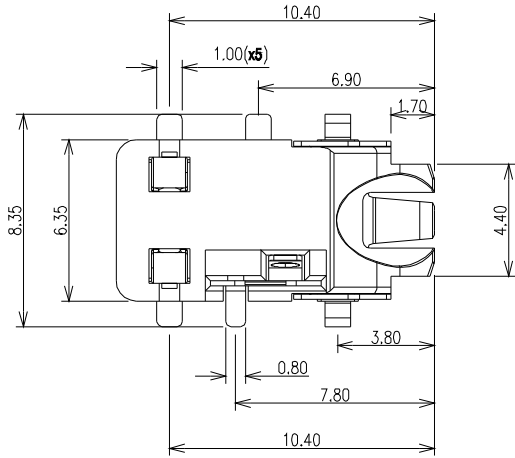


REV	ECN #	DESCRIPTION	DRAWING	APPROVED	DATE
A		NEW RELEASE	DEYI		2012/05/25



NOTES :

1.0) RATING :

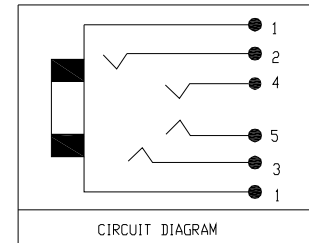
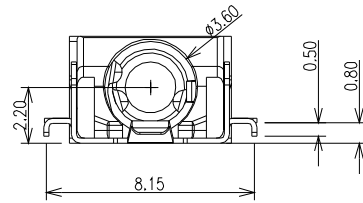
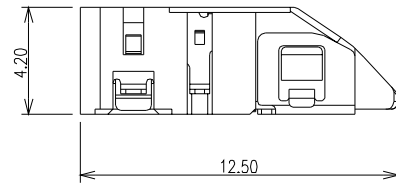
- 1.1. VOLTAGE : 12 VDC (R.M.S.)
- 1.2. CURRENT : 1 AMPERE MAXIMUM PER CONTACT AT 30°C T-RISE
- 1.3. TEMPERATURE : -25°C TO +85°C

2.0) ELECTRICAL CHARACTERISTIC

- 2.1. CONTACT RESISTANCE : INITIAL 50mΩ MAX. AFTER 100m
- 2.2. INSULATION RESISTANCE : 100 MΩ MIN.
- 2.3. DIELECTIC WITHSTANDING VOLTAGE : 500 VAC AT SEA LEVEL

3.0) MECHANICAL :

- 3.1. DURABILITY ,MINIMUM: MATED 5000 CYCLES WITHOUT DEGRADING ELECTRICAL
- 3.2. INITIAL:MATING FORCE: 300g~2000g.UNMATING FORCE: 300g~2000g
- 3.3. AFTER LIFE TESTING:MATING FORCE: 300g~2000g.UNMATING FORCE: 300g~2000g



PRODUCT NO.

PJ27-06 A B 03-06

① ② ③ ④

① PRODUCT SERIES:

PJ27: PHONE JACK CONNECTOR

② PIN NO. :

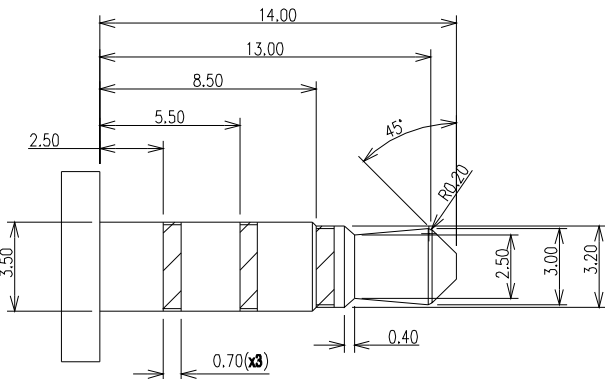
06:6PIN

③ MATERIAL:

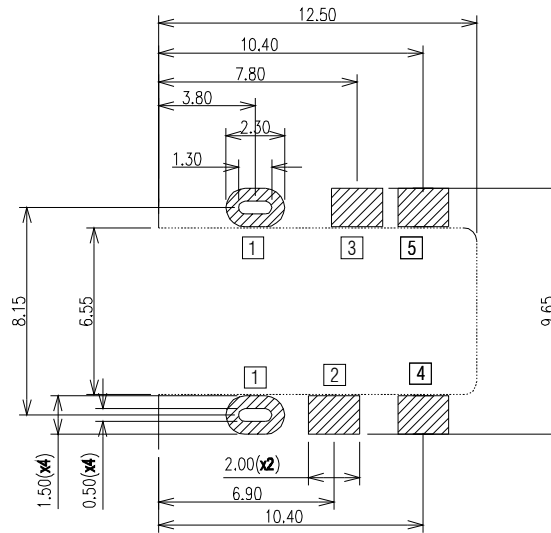
A: LCP

④ SERIES NO. :

06:沉板0.8, 前插后贴小口型



THE RECOMMENDED MATING AUDIO PLUG
3.50mm 4 POLE PLUG



RECOMMEND PAD LAYOUT

CUSTOMER DRAWING		东莞市溪榜电子有限公司 DONG GUAN XI BANG ELECTRONICS CO., LTD.			
GENERAL TOLERANCE	DRAWING	DEYI	TITLE: AUDIO JACK 3.5mm 斜头 沉板0.8 (前插后贴小口型)		
X. ±0.20	APPROVED		P/N: XB-PJ27-06AB03-06		
.X ±0.15	DATE	2014. 11. 27	DRAWING NO. XB-C-PJ27-06		
.XX ±0.10	UNIT	mm	SCALE	1:1	SIZE A4
.XXX ±0.10	SHEET	1of1	REV	A	